



Nuova Rade

Marine - Plastics Technology Experts

43760 Protection Covers for Battery Terminals



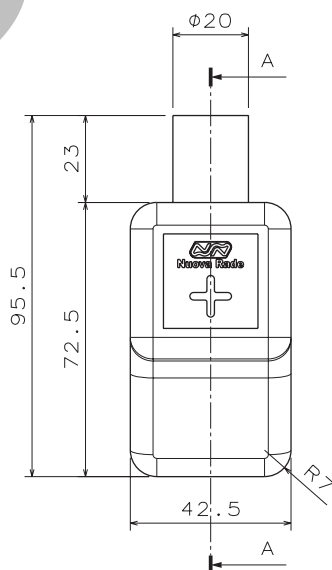
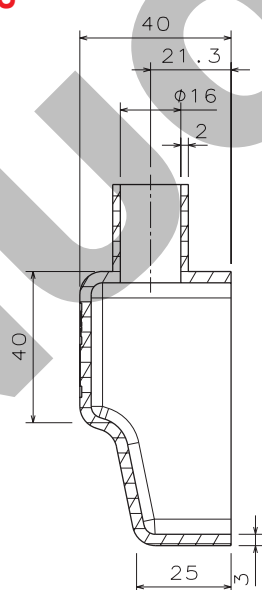
USE

The 43760 Protection covers for Battery Terminals can effectively protect and prevent wear, sparks and corrosion of battery terminals.

DESCRIPTION

Made of high quality PVC material, the covers are soft, flexible and durable in use, offering quality and stable performance. The 43760 includes two covers, a red and a black one, corresponding to positive and negative poles for easy discrimination.

DIMENSIONS



43760 BATTERY TERMINAL COVER POSITIVE
COLOR RED



43760 BATTERY TERMINAL COVER NEGATIVE
COLOR BLACK