



OBRIEN
2025 COLLECTION



TABLE OF CONTENTS

n WAKESURFERS.....	04
n WAKEBOARDS.....	26
n WAKEBOARD BINDINGS.....	42
n PADDLE BOARDS.....	50
n SLALOM.....	60
n SKI BINDINGS.....	68
n COMBO SKIS.....	74
n TRAINERS.....	80
n KNEEBOARDS.....	82
n FREEBOARDS.....	92
n INFLATABLES.....	94
n PUMPS.....	129
n FLOATS.....	130
n MATS & SADDLES.....	142
n LIFE JACKETS.....	154
n ROPES AND HANDLES.....	186
n BAGS.....	198
n APPAREL.....	199
n MERCHANDISE.....	200
n MARGARITAVILLE.....	202
n LANDSHARK.....	208
n AQUAGLIDE LAKEFRONT....	212





OBRIEN®

CREATING THE BEST EXPERIENCES ON THE WATER

As the leading name in watersports for over 60 years, we value every moment spent on the water, just as we know you do. Our history began in 1964 with the construction of our first pair of waterskis, and since then, our mission has been to develop products that provide the ultimate family fun on the water, enabling you to make the most of these cherished moments. Our commitment to watersports has transformed the industry, not just through our waterskis but also through wakeboards, wakesurf boards, stand-up paddleboards, tubes, and life jackets. We dedicate countless hours to designing, testing, and perfecting each product to meet the demands of our athletes, their friends, and families. We are confident that you will love O'Brien products as much as we do.

WELCOME TO THE O'BRIEN FAMILY!



WAKEBOARD

A large splash of water is captured in mid-air, creating a dynamic and energetic scene. The water is white and frothy, contrasting sharply with the deep blue sky above. The sky is filled with soft, white clouds, adding texture to the background. In the distance, a line of green trees is visible, suggesting an outdoor setting. The overall composition is bright and vibrant, conveying a sense of movement and freshness.

URPERS

SURF TECH



SURF STYLE

Using larger fins and a rounder rail, these boards have a surf inspired feel with their flowy turns, powerful hacks, lightning speed, and ability to boost big airs.



SKIM STYLE

Using smaller fins and a sharper rail, these boards have a loose, skatey feel on the water making it easier to complete surface spins and more skate inspired moves.



CRUISER STYLE

Smooth and easy ride for all day shredding.



COMPRESSION MOLDED

2-part construction - Compression molded for shape consistency and light weight - then hand polished rails and gloss coat finish.



SOFT TOP

Soft, padded top surface and rails; minimizes chances of damaging the board, you or anything else



COLOR CODED PAD

Color coded pad for easy learning. Lean on green to increase speed, lean on red to decrease speed.



SurfCAP

Unique polymer shell that encapsulates the board for superior durability.



ROUNDED SQUARE TAIL

Increases the board's forward drive and speed on the wave, while the rounded corners allow for pivotal yet smooth turning characteristics



WIDE DIAMOND TAIL

Provides push of a square tail with the added pivot point of a diamond tail.



CHOPPED DIAMOND TAIL

Performs exceptionally well on larger waves, added with provides extra push, stability and control.



SWALLOW TAIL

This wider-than-most tail shape delivers plenty of speed while maintaining traction on the wave.



ROUND TAIL

The rounded shape allows for smoother turns and better control with plenty of forward drive.



ROUND PINTAIL

This shape is ideal for cruising and carving, for those who prefer a more traditional style of surfing



FANG TAIL

Elevates performance by providing increased drive for speed, superior bite for better grip on the wave, and enhanced pivot for quick, sharp turns.



POWERED BY THE SUN

Proudly built in our 100% environmentally conscious solar powered factory!



BOARD CONSTRUCTION

EPOXY BOARDS

Machined EVA Pad

Graphics covered by Clearcoat

Fiberglass

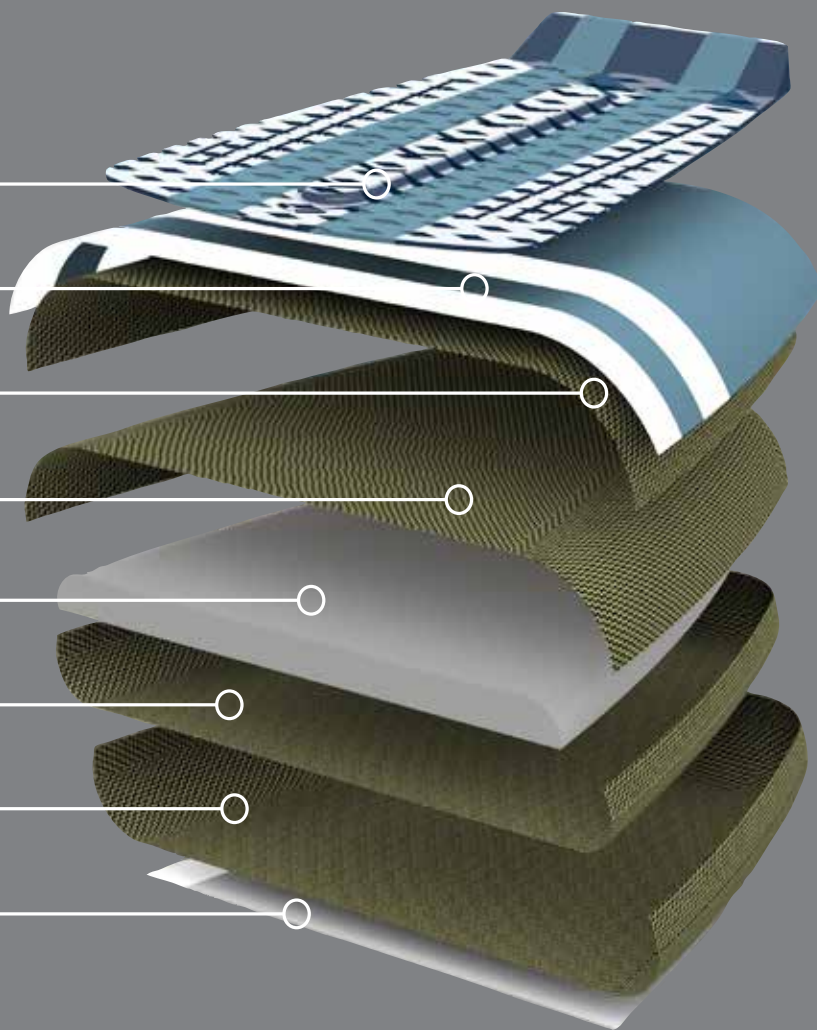
Fiberglass

EPS Core

Fiberglass

Fiberglass

Graphics covered by Clearcoat



ENVOY

PRO MODEL / SURF STYLE



SURF STYLE



COMPRESSION MOLDED



WIDE DIAMOND TAIL



SPLIT EVA PAD



(3) FCS COMPATIBLE FIN BOXES



	ENVOY 54"	ENVOY 59"
LENGTH	137.16cm / 54"	149.86cm / 59"
WIDTH	50cm / 19.7"	52cm / 20.5"
VOLUME	15.72 Liters	17.79 Liters
FINS	(2) 2Face 3.6	(2) 2Face 3.6
FINS	(1) TAC 1.3	(1) TAC 1.3

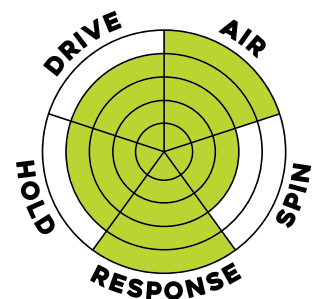
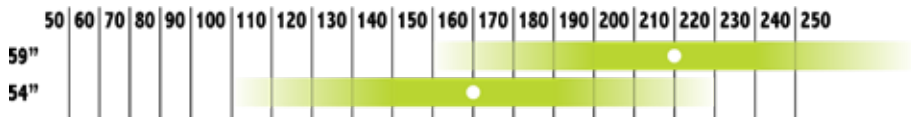
BEGINNER EXPERIENCED

If you are an aggressive surfer who loves ripping the face out of the wave and taking to the sky, have we got a board for you. The Envoy is a proper "pro-style" board that features a narrower midsection and more parallel rails to generate down-the-line speed and powerful curves. These features pair perfectly with the board's wide diamond tail for boosting massive airs and more technical maneuvers. So for the ultimate in high-performance surf style design, the Envoy delivers it all and more.



ADVANCED SURFERS CRAVING A HIGH-FLYING, ULTRA-RESPONSIVE SHAPE THAT IS THE EPITOME OF SURF STYLE PERFORMANCE

WEIGHT RANGE



REVIVAL_{v2}

SURF STYLE



SURF STYLE



COMPRESSION MOLDED



SWALLOW TAIL



SPLIT EVA PAD



(3) FCS COMPATIBLE FIN BOXES



	REVIVAL-V2 53"	REVIVAL-V2 58"
LENGTH	134.62cm / 53"	147.32cm / 58"
WIDTH	52.07cm / 20.5"	54.6cm / 21.5"
VOLUME	15.85 Liters	18.4 Liters
FINS	(2) 2Face 3.6	(2) 2Face 3.6
FINS	(1) TAC 1.3	(1) TAC 1.3

BEGINNER EXPERIENCED

Get ready to experience the ultimate in surf-style fun with the Revival V2! This board features a wide swallow tail design that guarantees quick, stable cruising on the waves. From the moment you hop on, you'll feel completely engaged with the wave, enjoying the rapid responsiveness and snappy turning characteristics that this shape offers. And if you're looking to take your surfing to the next level, the Revival V2 is perfect for launching airs with ease. This high-performance shortboard on steroids is a game-changer and a must-have addition to any surfer's quiver. Add the Revival V2 to your arsenal today and take your surfing experience to new heights!



BUILT FOR SURFERS CRAVING A SNAPPY, RESPONSIVE BOARD FOR A FUN, HIGH PERFORMANCE, SURF STYLE RIDE

WEIGHT RANGE



HAZE_v4

SURF STYLE



SURF STYLE



COMPRESSION MOLDED



ROUNDED SQUARE TAIL



SPLIT EVA PAD



(3) FCS COMPATIBLE FIN BOXES



	HAZE-V4 52"	HAZE-V4 57"
LENGTH	132.08cm / 52"	144.78cm / 57"
WIDTH	52.8cm / 20.8"	54.6cm / 21.5"
VOLUME	15.28 Liters	17.47 Liters
FINS	(2) 2Face 3.6	(2) 2Face 3.6
FINS	(1) TAC 1.3	(1) TAC 1.3

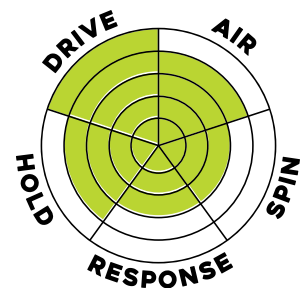
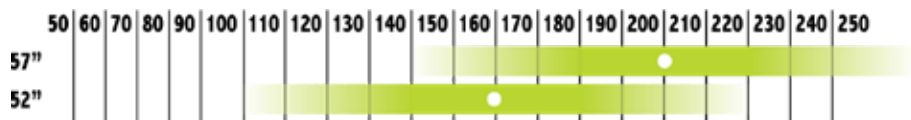
BEGINNER  EXPERIENCED

The Haze V4 has become the go-to board for many riders on the water. Yes, it's true that it delivers a fast and smooth cruise on the wave, effortlessly adding flow and style to your surfing. But that's only the beginning. This is a board that everyone on the boat can truly enjoy. Beginners appreciate its impressive stability and effortless speed control, while more advanced riders love its skatey feel during sharp turns and its ability to race down the line and launch into the sky. With the Haze V4, you truly get the best of everything.



BUILT FOR SURFER DESIRING A WIDE, FLOATY BOARD TO CARVE AND CRUISE IN STYLE

WEIGHT RANGE



TORRENT

SKIM STYLE



SKIM STYLE



COMPRESSION MOLDED



CHOPPED DIAMOND TAIL



MACHINED EVA PAD



3 REMOVABLE FINS



	TORRENT 51"	TORRENT 55"
LENGTH	129.5cm / 51"	139.7cm / 55"
WIDTH	52cm / 20.5"	52.8cm / 20.8"
VOLUME	8.9 Liters	9.82 Liters
FINS	(1) Delta 1.9"	(1) Delta 1.9"
FINS	(2) Delta 1.0"	(2) Delta 1.0"

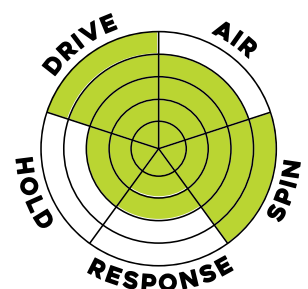
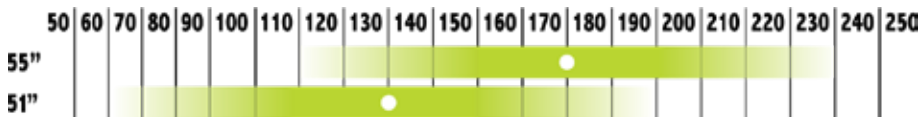
BEGINNER  EXPERIENCED

Ready to take your skimboarding to new heights? Look no further than the Torrent - a modern skim-style design that's built to be ridden hard. This board is one of the snappiest skim shapes out there, perfect for pumping, building speed, and launching airs. With its versatile shape, the Torrent is designed to perform both forward and backward, making it easier than ever to perfect new tricks. And with three removable fins, you can customize the tracking to meet your exact needs.



BUILT FOR ANYONE LOOKING FOR A FAST, FORGIVING AND FUN SKIM STYLE RIDE

WEIGHT RANGE



MAKAI

SKIM STYLE



SKIM STYLE



COMPRESSION MOLDED



SWALLOW TAIL



MACHINED EVA PAD



3 REMOVABLE FINS



	MAKAI 52"	MAKAI 56"
LENGTH	132cm / 52"	142.24cm / 56"
WIDTH	53cm / 20.9"	53.7cm / 21.2"
VOLUME	9.38 Liters	10.38 Liters
FINS	(1) Delta 1.9	(1) Delta 1.9
FINS	(2) Delta 1.0	(2) Delta 1.0

BEGINNER



EXPERIENCED

Looking for a skimboard that's designed to take your riding to the new heights? Check out the Makai! With its forward-biased template and wider swallow tail, this board delivers tons of forward drive, giving you the confidence to take on your biggest tricks or just work on perfecting the basics. Plus, the Makai's unique template makes it a spinning machine, making it the ultimate board for nailing those 360s and more. So if you're looking for a board that will help you take your skimboarding to the next level, look no further than the Makai!



BUILT FOR SURFERS THAT WANT A SUPER RESPONSIVE BOARD THAT LOVES TO SPIN

WEIGHT RANGE



ROYALE

CRUISER STYLE



COMPRESSION MOLDED



EXTRA LARGE



SURF CAP



ROUND TAIL



SPLIT EVA PAD



1 FCS FIN BOX



POWERED BY THE SUN



	ROYALE 63"
LENGTH	160cm / 63"
WIDTH	54.6cm / 21.5"
VOLUME	19.63 Liters
FIN	(1) Alpha 2.9

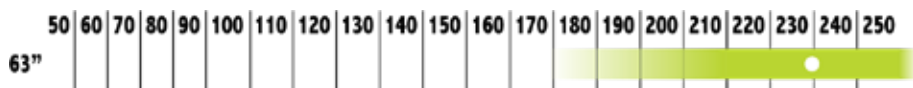
BEGINNER  EXPERIENCED

Experience the ultimate blend of performance and versatility with the Royale. With a length of 63" and over 19.6 liters of volume, this board is perfect for riders of all sizes and abilities. Whether you want a relaxed cruise or to push the limits of your wake surfing, the Royale has got you covered. Its responsive design and versatile shape make it perfect for tackling everything from mellow waves to more challenging conditions.



BUILT FOR BEGINNER TO ADVANCED SURFERS IN SEARCH OF A LARGER BOARD

WEIGHT RANGE



HAVANA

SKIM STYLE



SKIM STYLE



COMPRESSION MOLDED



ROUND PIN TAIL



MACHINED EVA PAD



1 REMOVABLE FIN



	HAVANA 52"	HAVANA 56"
LENGTH	132.08cm / 52"	142.2cm / 56"
WIDTH	52.83cm / 20.8"	53.3cm / 21"
VOLUME	9.8 Liters	10.6 Liters
FINS	(1) Delta 1.0	(1) Delta 1.0

BEGINNER  EXPERIENCED

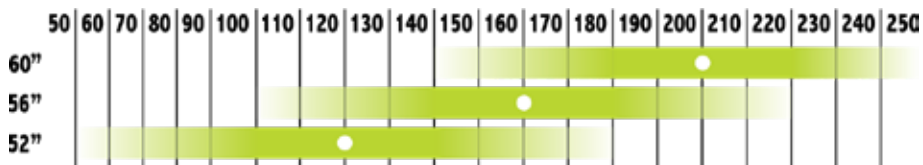
Get ready for an unbeatable ride on the Havana, a skim style board that delivers both performance and fun on the wave. Its classic skim shape and TPU skinned base provide a high-performance ride that will elevate your skills to new heights. The Havana's oversized pad boasts built-in arch support and a kicktail, ensuring superior control over the board and making it ideal for learning new tricks such as ollies and shuivits. From its exceptional features to its incredible value, the Havana is undoubtedly in a league of its own.

NEW SIZE!



HAVANA 60"
LENGTH 152.4cm / 60"
WIDTH 52.83cm / 21.2"
VOLUME 11.5 Liters
FINS (1) Delta 1.9

WEIGHT RANGE



MICRO DUST

SKIM STYLE



SKIM STYLE



COLOR CODED PAD



COMPRESSION MOLDED



ROUND PIN TAIL



MACHINED EVA PAD



3 REMOVABLE FINS



	MICRO DUST 44"	MICRO DUST 48"
LENGTH	111.8cm / 44"	121.9cm / 48"
WIDTH	52cm / 19.25"	48.9cm / 20.5"
VOLUME	5.27 Liters	8.74 Liters
FINS	(1) Delta 1.9	(1) Delta 1.9
FINS	(2) Delta 1.0	(2) Delta 1.0

BEGINNER



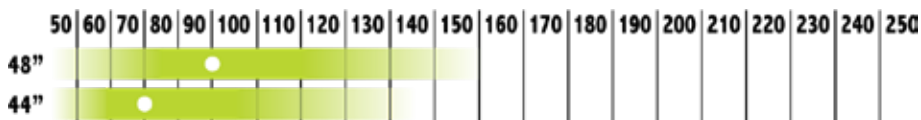
EXPERIENCED

If you're a small ripper looking to break into the world of wakesurfing or a future pro, the Micro Dust is the board for you. Designed with a thin profile and wider tail, this lightweight skim-style board delivers lightning-fast speed while maintaining stability, making it perfect for riders of all levels. Whether you're just starting out and want to feel more in control with three fins, or you're ready to progress to the next level and prefer a single fin for more freedom and creativity, the Micro Dust offers a versatile fin configuration that caters to all skill levels.



BUILT FOR SMALLER RIDERS IN NEED OF A BOARD THAT WILL FUEL THEIR PROGRESSION

WEIGHT RANGE



WAKE HOG

SOFT TOP



SOFT TOP



SMOOTH BASE



SQUARE TAIL



3 REMOVABLE FINS

BUILT FOR NEW SURFERS, AND ALSO PROVIDES SOFT TOP FUN FOR EVERYONE

Looking for a board that offers unbeatable comfort, control, and performance? Look no further than the Wake Hog. This board is perfect for riders of all levels, whether you're just getting started or looking to take your riding to the next level. With its ultra-grip foam top and versatile thruster setup, the Wake Hog delivers unmatched stability, control, and maneuverability. Plus, it's incredibly comfortable underfoot, allowing you to ride for hours without experiencing any discomfort. So whether you're cruising the lake or shredding the wake, the Wake Hog has got you covered.

	WAKE HOG 58"	WAKE HOG 63"	WAKE HOG 72"
LENGTH	147.3cm / 58"	160cm / 63"	182.8cm / 72"
WIDTH	53.3cm / 21"	53.3cm / 21"	56.8cm / 22.37"
VOLUME	27.7 Liters	30.77 Liters	38.8 Liters
FINS	(3) MERC 3.0	(3) MERC 3.0	(3) MERC 3.0

BEGINNER  EXPERIENCED

WEIGHT RANGE

PERFECT FOR ANY SIZED RIDER



SURF FINS



2FACE 2.7
80/20 Foil FCS Compatible



TAC 1.3
50/50 Foil FCS Compatible



2FACE 3.6
80/20 Foil FCS Compatible



ALPHA 1.4
50/50 Foil FCS Compatible



2FACE 4.3
80/20 Foil FCS Compatible



ALPHA 1.8
50/50 Foil FCS Compatible



HELIX 4.3
50/50 Foil FCS Compatible



ALPHA 2.9
50/50 Foil FCS Compatible



LAMBO 2.1
50/50 Foil FCS Compatible



MERC 3.0
50/50 Foil FCS Compatible



LAMBO 1.7
50/50 Foil FCS Compatible



SPIKE 1.0
50/50 Foil FCS Compatible



LAMBO 1.3
50/50 Foil FCS Compatible



MAKO 4.3
50/50 Foil FCS Compatible

BOLT THROUGH



KAPPA 1.0
50/50 Foil



KAPPA 1.9
50/50 Foil



DELTA 1.0
50/50 Foil



DELTA 1.9
50/50 Foil



OMEGA 2.8
50/50 Foil

50/50 - symmetrical
80/20 - 80% foil outside/20% foil inside.



WAKED



BOARDS



BOARD TECH



3-STAGE ROCKER

This rocker line is generally flatter between the bindings but dramatically angles upward towards the tip and tail. This explosive rocker line generates a more aggressive and vertical pop off the wake.



PROGRESSIVE ROCKER

Similar to our Continuous Rocker but with more kicked up tip and tail, resulting in more vertical pop than a Continuous Rocker and more predictability than a 3-Stage.



CONTINUOUS ROCKER

With an even curve from tip to tail, this balanced rocker line is extremely consistent, easy to control, and rolls up the wake for a smooth predictable pop.



VECTOR NET

Provides a high level of break and buckle resistance while maintaining a natural and lively flex pattern.



FEATHER CORE

Feather Core reduces the board's swing weight for more midair control, while simultaneously maintaining its profile up the face of the wake for maximum pop.



DURARAIL SIDEWALLS

Impact resistant urethane rail that runs around the entire edge of the board; protecting the core from any hazard you throw its way.



BUILT FOR KIDS

Durable board that is appropriately sized for kids making it easy to ride behind the boat and at the cable park.



DUAL HYBRID RAIL CONSTRUCTION

Blends park and boat board characteristics for a stable platform under your feet and a durable, snappy tip and tail.



CENTER SPINE

The V shape of the spine disperses water outwards upon impact resulting in softer landings.



VARIABLE BEVELED EDGE

Rolled edges for a smoother, catch-free ride, sharpening at the tip and tail for more bite.



GRAB RAIL

Channeling on top of the board that makes it easier to lock onto grabs; also makes the board easier to carry



DELTA BASE TECHNOLOGY

"Chevron" shaped channels molded into the tip and tail of the board reduces drag for faster edging and a cleaner release off the wake.



TRIPLE CONCAVE TO CUPPED CENTER CHANNEL

Provides the effect of dual spines running through the board; dispersing some water out the sides but holding some in the center channel to keep the board from punching in on landings.



FOUR MOLDED-IN FINS

4 molded-in fins provide the perfect amount of hold on the water.



FOUR REMOVABLE FINS

Have the freedom to truly customize your board's performance on the water



REMOVABLE CENTER FIN

Additional tracking for riders who want more control on the water.



PULLED-IN TIPS

Allows the board to transition faster edge-to-edge



EASY TO RIDE DESIGN

Beginner friendly design for anyone just getting into the sport



POWERED BY THE SUN

Proudly built in our 100% environmentally conscious solar powered factory!

FEATHER CORE

Printed Top sheet

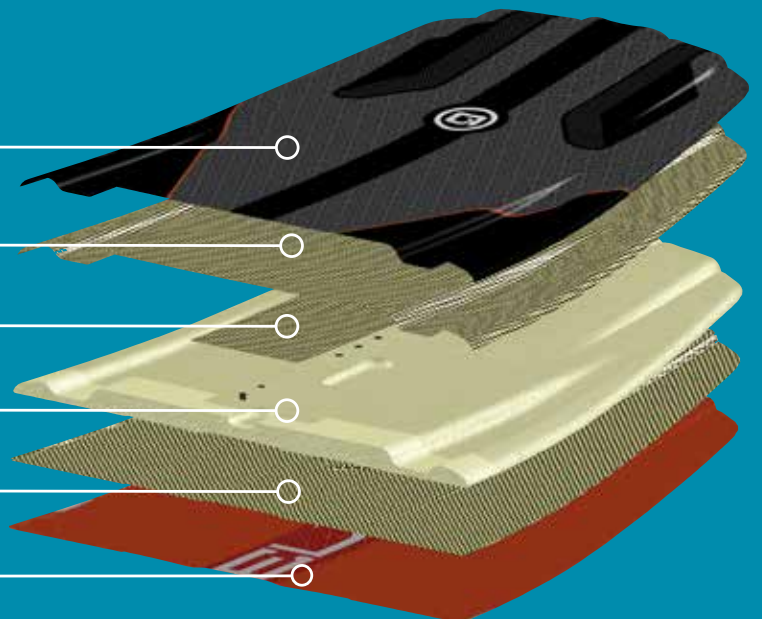
Super light fiberglass top layer

Reinforcement fiberglass layer

Feather Core

Super light fiberglass bottom wrap

Printed bottom sheet







INTENT

SIGNATURE MODEL



3-STAGE ROCKER



VECTOR NET



FEATHER CORE



CENTER SPINE



VARIABLE BEVELED EDGE



DELTA BASE



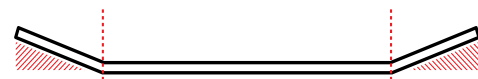
PULLED-IN TIPS



4 REMOVABLE FINNS

	INTENT 136	INTENT 141
LENGTH	136cm / 53.5"	141cm / 55.5"
WIDTH	43.1cm / 16.95"	43.6cm / 17.15"
STANCE	22 24 26	23 25 27
ROCKER	2.3" 3-Stage	2.4" 3-Stage
FINS	Flank 0.7	Flank 0.7

The Intent has often been described as the ultimate performance boat board. With its lightning-fast speed and unparalleled responsiveness, the Intent will take your riding to new heights. Its explosive pop off the wake and soft landings will have you feeling like you're floating on air. Whether you're cruising flat water or charging big wakes, the Intent's cutting-edge design and mind-blowing performance will exceed your expectations. Elevate your riding to the next level and experience the difference with the Intent!



3-STAGE ROCKER

This rocker line is generally flatter between the bindings but dramatically angles upward towards the tip and tail. This explosive rocker line generates a more aggressive and vertical pop off the wake.



PRO RIDER SHOTA TEZUKA

***BUILT FOR RIDERS WHO DESIRE A REMARKABLY REACTIVE AND TOP-PERFORMING BOARD
CAPABLE OF PROPELLING THEM TO GREAT HEIGHTS***

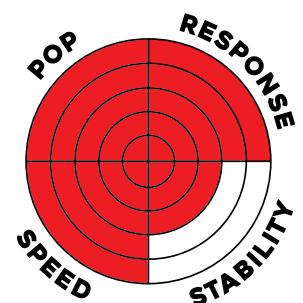
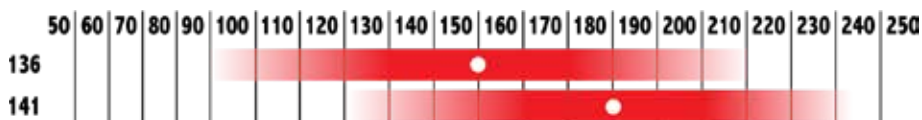


BINDING PACKAGE 1: INFUSE



BINDING PACKAGE 2: BORDER

WEIGHT RANGE





SPARK

SIGNATURE MODEL



3-STAGE ROCKER



FEATHER CORE



VARIABLE BEVELED EDGE



GRAB RAIL



DELTA BASE



TRIPLE CONCAVE CENTER CHANNEL



4 REMOVABLE FINs

	<i>SPARK 133</i>	<i>SPARK 137</i>
LENGTH	133cm / 52.4"	137cm / 53.9"
WIDTH	42.7cm / 16.8"	43.2cm / 17"
ROCKER	2.37" 3-Stage	2.55" 3-Stage
STANCE	21 23 25	22 24 26
FINS	Flank 0.7	Flank 0.7

Tarah Mikacich's incessant desire for fun on the water has met its match with the fun-filled ride of the Spark. With its thinned out Feather Core, 3-Stage Rocker and full step-down rail, the Spark sits a little deeper in the water; delivering effortless edge control and a predictable, punchy pop off the wake that will bring a smile to anyone's face. With a triple concave hull and a Delta Base, the Spark has everything a pro rider wants, but is also the perfect choice for anyone looking for a stable platform to progress their riding.



3-STAGE ROCKER

This rocker line is generally flatter between the bindings but dramatically angles upward towards the tip and tail. This explosive rocker line generates a more aggressive and vertical pop off the wake.

PRO RIDER TARAH MIKACICH



BUILT FOR RIDERS DESIRING A HIGH ENERGY BOARD WITH A FUN, SNAPPY FEEL ON THE WATER AND A SMOOTH, RESPONSIVE RIDE THAT MAKES IT EASY TO FEEL CONNECTED TO THE WAKE

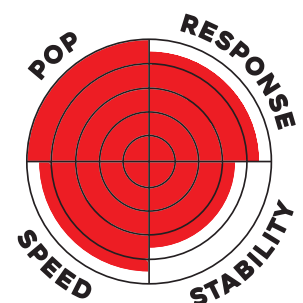
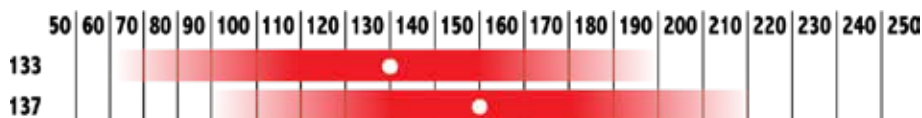


BINDING PACKAGE 1: INFUSE



BINDING PACKAGE 2: ACCESS

WEIGHT RANGE



FORUM



3-STAGE ROCKER



FEATHER CORE



VARIABLE BEVELED EDGE



GRAB RAIL



DELTA BASE

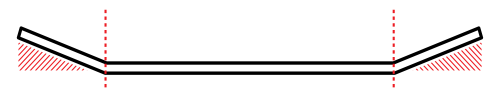


TRIPLE CONCAVE CENTER CHANNEL



4 REMOVABLE FINs

The triple concave hull and defined channels in the midsection of the board provide enhanced propulsion through the wake, while the unique centrally located molded fins offer excellent balance and control when carving on the edges. The variable rail with extra volume in the center helps riders make smoother transitions, and the board's deeper ride allows for effortless line tension and increased pop at the wake.



3-STAGE ROCKER

This rocker line is generally flatter between the bindings but dramatically angles upward towards the tip and tail. This explosive rocker line generates a more aggressive and vertical pop off the wake.



BUILT FOR RIDERS DESIRING A HIGH ENERGY BOARD WITH A FUN, SNAPPY FEEL ON THE WATER AND A SMOOTH, RESPONSIVE RIDE THAT MAKES IT EASY TO FEEL CONNECTED TO THE WAKE

	FORUM 133	FORUM 137	FORUM 141
LENGTH	133cm / 52.4"	137cm / 53.9"	141cm / 55.5"
WIDTH	42.7cm / 16.8"	43.2cm / 17"	43.9cm / 17.3"
ROCKER	2.37" 3-Stage	2.55" 3-Stage	2.77" 3-Stage
STANCE	21" - 25"	22" - 26"	23" - 27"
FINS	(4) Flank 0.7"	(4) Flank 0.7"	(4) Flank 0.7"



BINDING PACKAGE 1: BORDER

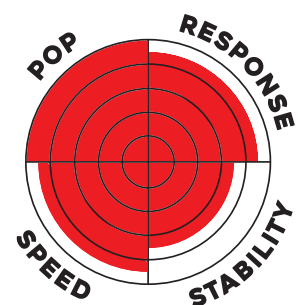


BINDING PACKAGE 2: ACCESS



BINDING PACKAGE 2: CLUTCH

WEIGHT RANGE



NEW!

VALHALLA



PROGRESSIVE ROCKER



FEATHER CORE



VARIABLE BEVELED EDGE



GRAB RAIL



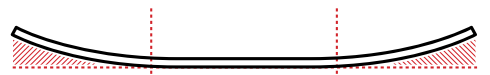
DELTA BASE



4 MOLDED-IN FINS + 2 REMOVABLE



This board is perfect for beginner and intermediate riders who want to progress their skills and take their riding to the next level. But don't let its forgiving nature fool you, some of the world's best riders, including David O'Caomh, choose the Valhalla as their go-to board. Its Feather Core, tapered thickness profile, and molded fins provide ultimate control from edge to edge, making it an ultra-reliable choice. Plus, with its Progressive Rocker and Delta Base, the Valhalla delivers a smooth, controlled pop off the wake, giving you the confidence to take on bigger tricks and elevate your riding game. Try the Valhalla and experience reliable and predictable performance like never before!



PROGRESSIVE ROCKER

Similar to our Continuous Rocker but with a more kicked up tip and tail, resulting in more vertical pop than a Continuous Rocker and more predictability than a 3-Stage



BUILT FOR BEGINNER TO PRO RIDERS LOOKING FOR AN EASY RIDING BOARD FOR EFFORTLESS PROGRESSION

	VALHALLA 133	VALHALLA 138	VALHALLA 143
LENGTH	133cm / 52.4"	138cm / 54.3"	143cm / 56.3"
WIDTH	42.2cm / 16.6"	42.7cm / 16.8"	43.2cm / 17"
ROCKER	2.25" Progressive	2.35" Progressive	2.5" Progressive
STANCE	21 23 25	22 24 26	23 25 27
FINS	Attack 1.4	Attack 1.4	Attack 1.4



BINDING PACKAGE 1: BORDER

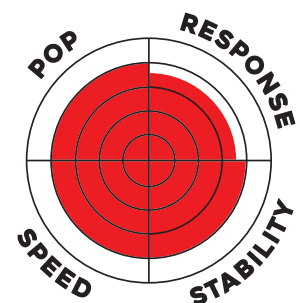
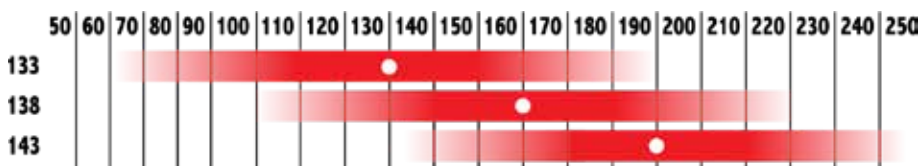


BINDING PACKAGE 2: ACCESS



BINDING PACKAGE 2: CLUTCH

WEIGHT RANGE



HOOKY

BOAT/PARK HYBRID



PROGRESSIVE ROCKER



FEATHER CORE



DURARAIL SIDE WALLS



BUILT FOR KIDS



DUAL HYBRID RAIL CONSTRUCTION



CENTER SPINE



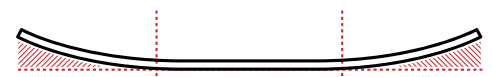
GRAB RAIL



4 REMOVABLE FINs



Behind the boat and in the park, there is no better. The Hooky is the ultimate board for young rippers. Whether behind the boat or in the park, the Hooky is designed to enhance the performance of smaller and lighter riders. With its forgiving shape, reduced width, and Feather Core, the Hooky offers superior maneuverability and easy edging, making it perfect for young riders looking to progress their skills. The Progressive Rocker gives a nice kick off the wake, allowing riders to add more moves to their bag of tricks. Plus, with Dual Hybrid Rail Construction and DuraRail tip and tail, the Hooky can handle anything thrown its way, making it the ultimate choice for young riders looking for a board that can keep up with their skills.



PROGRESSIVE ROCKER

Similar to our Continuous Rocker but with a more kicked up tip and tail, resulting in more vertical pop than a Continuous Rocker and more predictability than a 3-Stage



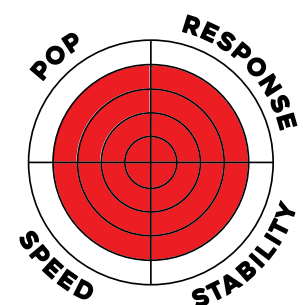
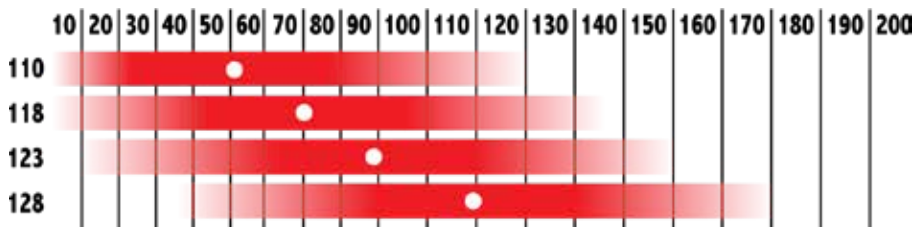
BUILT FOR BOARD FOR SMALLER OR LIGHTER RIDERS LOOKING FOR SMOOTH PROGRESSION BEYOND THE EARLY STAGES OF EITHER PARK OR BOAT RIDING

	HOOKY 110	HOOKY 118	HOOKY 123	HOOKY 128
LENGTH	110cm / 43.7"	118cm / 46.5"	123cm / 48.4"	128cm / 50.4"
WIDTH	38.1cm / 15"	38.1cm / 15"	42.2cm / 16.6"	42.2cm / 16.6"
ROCKER	1.9" Progressive	2.1" Progressive	2.3" Progressive	2.4" Progressive
STANCE	16 18 20	16 18 20	18 20 22	18 20 22
FINS	Flank 0.7	Flank 0.7	Flank 0.7	Flank 0.7



BINDING PACKAGE: ACCESS

WEIGHT RANGE



SYSTEM



CONTINUOUS ROCKER



EASY TO RIDE DESIGN



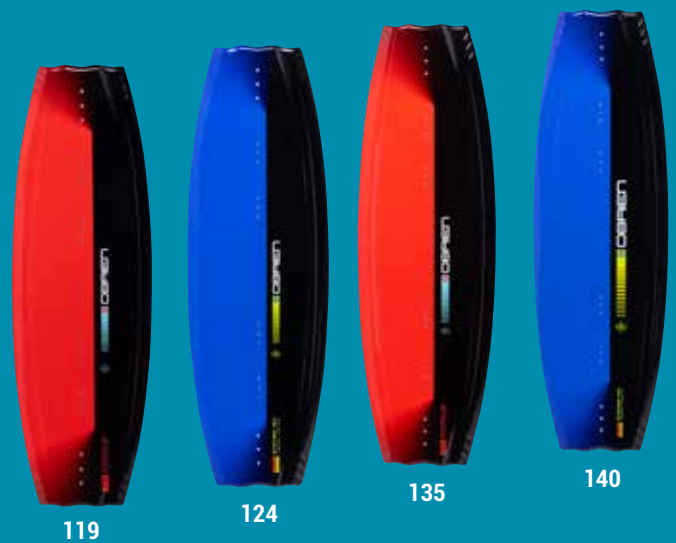
GRAB RAIL



TRIPLE CONCAVE CENTER CHANNEL



REMOVABLE CENTER FIN



The System offers performance at an affordable price. Its Continuous Rocker keeps the board stable on the water and predictable off the wake. The System also uses dual channels at the tip and tail and center mounted Attack Fins to ensure predictable tracking and easy edging. To top it off, its extra buoyant foam core makes getting up and out of the water as effortless as can be. These features make the System a great first board for anyone just getting into the sport or the perfect board to keep on your boat for any friends who want to try their hand at wakeboarding.



CONTINUOUS ROCKER

With an even curve from tip to tail, this balanced rocker line is extremely consistent, easy to control, and rolls up the wake for a smooth predictable pop



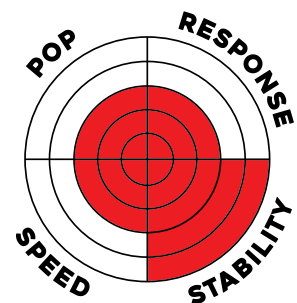
BUILT FOR BEGINNERS LOOKING FOR A SMOOTH, CONSISTENT RIDING BOARD THAT WILL SIMPLIFY PROGRESSION IN THE EARLY STAGES OF RIDING

	SYSTEM 119	SYSTEM 124	SYSTEM 135	SYSTEM 140
LENGTH	119cm / 46.9"	124cm / 48.8"	135cm / 53.1"	140cm / 55.1"
WIDTH	38.1cm / 15"	40cm / 15.75"	42.5cm / 16.75"	42.9cm / 16.9"
ROCKER	2.1 Continuous	2.15 Continuous	2.25 Continuous	2.35 Continuous
STANCE	16 18 20	18 20 22	21 23 25	22 24 26
FINS	Attack 1.4	Attack 1.4	Attack 1.4	Attack 1.4



BINDING PACKAGE: CLUTCH

WEIGHT RANGE





WAKEBOARD



WINDINGS

WAKE BINDING TECH



STRUCTURE LINER

3-D molded, lightweight, liner immerses your foot and ankle with superior comfort and control.



INTEGRATED J-BARS

Eliminates heel lift within the binding for greater control and helps support the ankle.



HEEL LOCK

Internal harness that integrates with the laces to lock your heel into the pocket.



DUAL LACE ZONES

Dual lace zones for pinpoint fit adjustment.



POWER FLEX

Dual flex points allow the overlay to move with you; eliminating pressure points and heightening your connection with the binding.

CANTED 2.5° CANTED 2.0° CANTED CHASSIS

Inward cant promotes a more natural alignment for your lower body to reduce stress/fatigue on the knees, ankles & feet so you feel more comfortable and can ride longer. Enhances lateral support to equalize pressure across the entire footbed.

SIZECHART

(Bindings are based on US sizing)

MEN

USA	2	4	5	6	7	8	9	10	11	12	13	14
EUR	33	36	37	39	40	41	42	43	44	45	46	47
UK	1	3	4	5	6	7	8	9	10	11	12	13
CM	20.6	22.2	23.2	23.5	24.4	25.4	26	27	27.9	28.6	29.4	30.2

WOMEN

USA	2	4	5	6	7	8	9	10	11
EUR	33	35	35-36	36-37	37-38	38-39	39-40	40-41	41-42
UK	1	2	3	4	5	6	7	8	9
CM	20.6	20.8	21.6	22.5	23.5	24.1	25.1	25.9	26.7

*Please note: Closed toe bindings fit by width, thickness and length. Open toe bindings fit by foot width and thickness, but not length. Therefore this chart should only be used as a general guide. We recommend that you try on before purchasing. Bindings will soften for a looser fit with use.



DUAL-DENSITY ORTHOTIC FOOTBED & MIDSOLE

Provides premium comfort and support and also helps absorb the shock from hard landings



POWER ARCH

Additional support under the arch minimizes the amount your foot rolls inward on hard landings; reducing stress on your knees and distributing energy throughout the binding.



TRUE CONNECT TOE BOX

Snug fit throughout the toe box enhances your connection with the binding and the board to deliver heightened responsiveness and control on the water.



LASTED CONSTRUCTION

Mindfully shaped to match the contours of your feet.



LUX CHASSIS

Our lightest, stiffest and most responsive chassis, the Lux's supremely low profile enhances your connection with the board, while it's extremely orthotic construction assures that your feet will be comfortable, even after the hardest of landings. Canted 2.5 degrees.



NEO CHASSIS

Both comfortable and ergonomic, the Neo chassis brings a level of performance that rivals many high end bindings on a platform that is both low to the board and simple to use.



INFUSE



LUX CHASSIS SYSTEM

Lightweight and rigid design that eliminates heel/toe lift for a superior connection to the board and unrelenting performance.

CANTED 2.5°

Inward cant of 2.5° promotes a more natural alignment for your lower body to reduce stress/fatigue on the knees, ankles & feet so you feel more comfortable and can ride longer. Enhances lateral support to equalize pressure across the entire footbed.

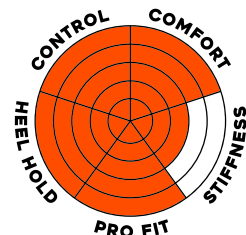
POWER ARCH

Additional support under the arch minimizes the amount your foot rolls inward on hard landings, reducing stress on your knees and distributing energy throughout the binding.

AVAILABLE SIZES: 4-6 / 6-8 / 8-10 / 9-11 / 11-13 / 12-14

KEY FEATURES

- Closed Toe** - Precise, performance-oriented sizing
- Dual Lace Zones** - Pinpoint adjustment for the perfect fit
- UltraMesh Overlay** - Soft, lightweight overlay with PowerFlex Hinge Points
- 3-D TPU Rear Cuff Flex Panel**
- Premium Structure 2.0 Liner** - 3-D molded, lightweight liner immerses your foot and ankle with superior comfort and control
- Heel Lock** - Internal harness that integrates with the laces to lock the heel into the pocket
- Integrated J-Bars** - Eliminates heel lift within the binding for greater control and helps support the ankle
- True Connect Toe Box**
- Dual-Density Orthotic Footbed and Midsole**
- LUX Chassis System**
- High-Flow Drain System**
- 2.5° Inward Canted Chassis**
- Power Arch**
- Gel-Shock Impact Dampening Pad**



BORDER



LUX CHASSIS SYSTEM

Lightweight and rigid design that eliminates heel/toe lift for a superior connection to the board and unrelenting performance.

CANTED 2.5°

Inward cant of 2.5° promotes a more natural alignment for your lower body to reduce stress/fatigue on the knees, ankles & feet so you feel more comfortable and can ride longer. Enhances lateral support to equalize pressure across the entire footbed.

POWER ARCH

Additional support under the arch minimizes the amount your foot rolls inward on hard landings; reducing stress on your knees and distributing energy throughout the binding.

AVAILABLE SIZES: 4-6 / 7-10 / 10-12 / 12-14

KEY FEATURES

Open Toe - Accommodates a broader size range

Dual Lace Zones - Pinpoint adjustment for the perfect fit

TPU Rear Cuff Flex Panel

Integrated, Strobel Lasted Liner - Lycra-lined, molded toe and heel for greater comfort, adjustability, and control

Internal J-Bars - Eliminate heel lift within the binding for greater control and helps support the ankle

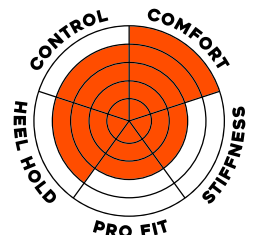
Dual-Density Orthotic Footbed and Midsole

LUX Chassis System

2.5° Inward Canted Chassis

Power Arch

EVA Impact Dampening Pad



ACCESS



NEO CHASSIS SYSTEM

Lightweight, sturdy, canted design for greater comfort while riding.

CANTED 2.0°

Inward cant of 2° promotes a more natural alignment for your lower body to reduce stress/fatigue on the knees, ankles & feet so you feel more comfortable and can ride longer. Enhances lateral support to equalize pressure across the entire footbed.

AVAILABLE SIZES: JR 2-5 / 4-8 / 7-11 / 10-14

KEY FEATURES

Open Toe - Accommodates a broader size range

Dual Lace Zones - Pinpoint adjustment for the perfect fit

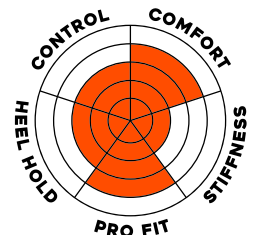
TPU Rear Cuff Flex Panel

Integrated, Strobel Lasted Liner - Lycra-lined, molded toe and heel for greater comfort, adjustability, and control

Internal J-Bars - Eliminate heel lift within the binding for greater control and helps support the ankle

3-D Contoured EVA footbed

NEO Canted Chassis - Lightweight, sturdy, canted design for greater comfort while riding



CLUTCH



NEO CHASSIS SYSTEM

Lightweight, sturdy, canted design for greater comfort while riding.

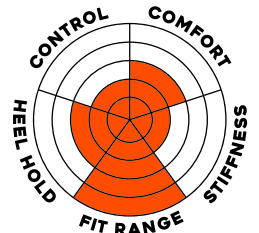
CANTED 2.0°

Inward cant of 2° promotes a more natural alignment for your lower body to reduce stress/fatigue on the knees, ankles & feet so you feel more comfortable and can ride longer. Enhances lateral support to equalize pressure across the entire footbed.

AVAILABLE SIZES: JR 2-5 / 4-8 / 7-11 / 10-14

KEY FEATURES

- Open Toe** - Accommodates a broader size range
- Dual Lace Zones** - Pinpoint adjustment for the perfect fit
- TPU Rear Cuff Flex Panel**
- Free-Flex Tongue** - Highly adjustable and opens wide for easy entry
- Internal J-Bars** - Eliminate heel lift within the binding for greater control and helps support the ankle
- EVA footbed**
- NEO Canted Chassis** - Lightweight, sturdy, canted design for greater comfort while riding



PADDLE



BOARDS



PADDLE BOARD TECH



BAMBOO SHELL

Premium construction that combines fiberglass and bamboo for lightweight performance and a beautiful design.



SOFT TOP

Soft, padded top surface and rails; minimizes chances of damaging the board, you or anything else.



DROP STITCH

The core is composed of tens of thousands of fibers that connect the top and bottom of the board. When inflated, the pressure is distributed equally amongst the fibers, allowing the board to maintain a solid shape.



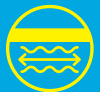
DOUBLE WALL SIDE RAILS

Premium construction built for lightweight performance.



SOFT-SHELL CONSTRUCTION

Textured EVA top deck that offers comfort, traction, and safety.



SMOOTH BASE

Hard HDPE smooth bottom for speed and durability



MOLDED-IN CARRY HANDLE

Indented handles in the middle of the paddleboard make carrying your paddleboard with one hand a snap



CARRY HANDLES

Strong webbing handles make carrying your board easy



QUICK RELEASE FIN

The quick release system provides easy fin removal making tear down and storage a breeze.



KEVLAR WRAPPED RAILS

Significantly enhances the durability of the rails.



MACHINED EVA PAD

Premium styling and traction that feels incredible on your feet.



DUAL ACTION PUMP

Inflate your boards, tubes, and floats faster and easier with continuous pumping cycles in downward and upward motions.



STORAGE BUNGEE

Bungee tie-down straps - Bring your gear with you.



3-PIECE PADDLE

Insanely durable construction.



CARRYING BAG

Strong, breathable mesh construction.

SIZE CHART

BOARD	LENGTH	VOL.	MAX. WEIGHT*
Burnside	11'2"	206	290 lbs
Hydra	11'	198	255 lbs
Rio	11'	292	380 lbs
Hilo	10'6"	269	350 lbs
Kona	10'6"	271	350 lbs
Margaritaville	10'6"	269	350 lbs
LandShark	10'6"	269	350 lbs

* Maximum recommended rider weight for optimum performance and stability. While experienced paddlers can deviate from this chart, too much weight on a board will cause it to sink too far in the water, making it both unstable and significantly harder to paddle.

HYDRA

SOFT TOP



Our Hydra is one of the most durable and affordable SUPs on the water. Starting with an inner foam core that is wrapped in 2 layers of fiberglass for added durability and performance, the Hydra features a hard HDPE smooth bottom for speed and a durable textured EVA top deck that offers comfort, traction, and safety. The Hydra's wide midsection and 11' length make it an ideal for almost anyone & a great choice for families wanting to enjoy the sport.



SOFT TOP



SOFT-SHELL CONSTRUCTION



SMOOTH BASE



MOLDED-IN CARRY HANDLE



STORAGE BUNGEE

	HYDRA 11'
LENGTH	335.28cm / 132"
WIDTH	81.28cm / 31"
VOLUME	198 Liters
FIN	9" SUP Fin



RIO

INFLATABLE SUP

The Rio Inflatable SUP provides a wider and longer platform to make cruising easy for all levels of riders. Complete with a textured EVA pad for reliable grip underfoot and bungee hold downs on the nose.



DROP STITCH



DOUBLE WALL SIDE RAILS



CARRY HANDLES



QUICK RELEASE FIN



MACHINED EVA PAD



STORAGE BUNGEE



DUAL ACTION PUMP



3-PIECE PADDLE



CARRYING BAG



RIO 11'

LENGTH 335.2cm / 132"

WIDTH 83.8cm / 33"

VOLUME 292 Liters

FIN Removable 9" ISUP Fin

HILO

INFLATABLE SUP
Part #: 2231222

The Hilo Inflatable SUP package comes complete with everything you'd need for your next adventure on the water. Its well-balanced shape provides a smooth, stable ride that everyone can enjoy.



DROP STITCH



DOUBLE WALL SIDE RAILS



CARRY HANDLES



QUICK RELEASE FIN



MACHINED EVA PAD



STORAGE BUNGEE



DUAL ACTION PUMP



3-PIECE PADDLE



CARRYING BAG



HILO 10'6"

LENGTH 320.04cm / 126"

WIDTH 81.2cm / 32"

VOLUME 269 Liters

FIN Removable 9" ISUP Fin

HILO

OTHER AVAILABLE MODELS



Leash Included

Part #: 2211222

Part #: 2221223

KONA

INFLATABLE SUP

The Kona is O'Brien's entry level Inflatable SUP – every element of this board was evaluated to offer you the highest possible performance at the lowest possible cost. Ideal for those on a budget who want to explore the sport and have fun on the water.



DROP STITCH



CARRY HANDLES



QUICK RELEASE FIN



STORAGE BUNGEE



DUAL ACTION PUMP



3-PIECE PADDLE



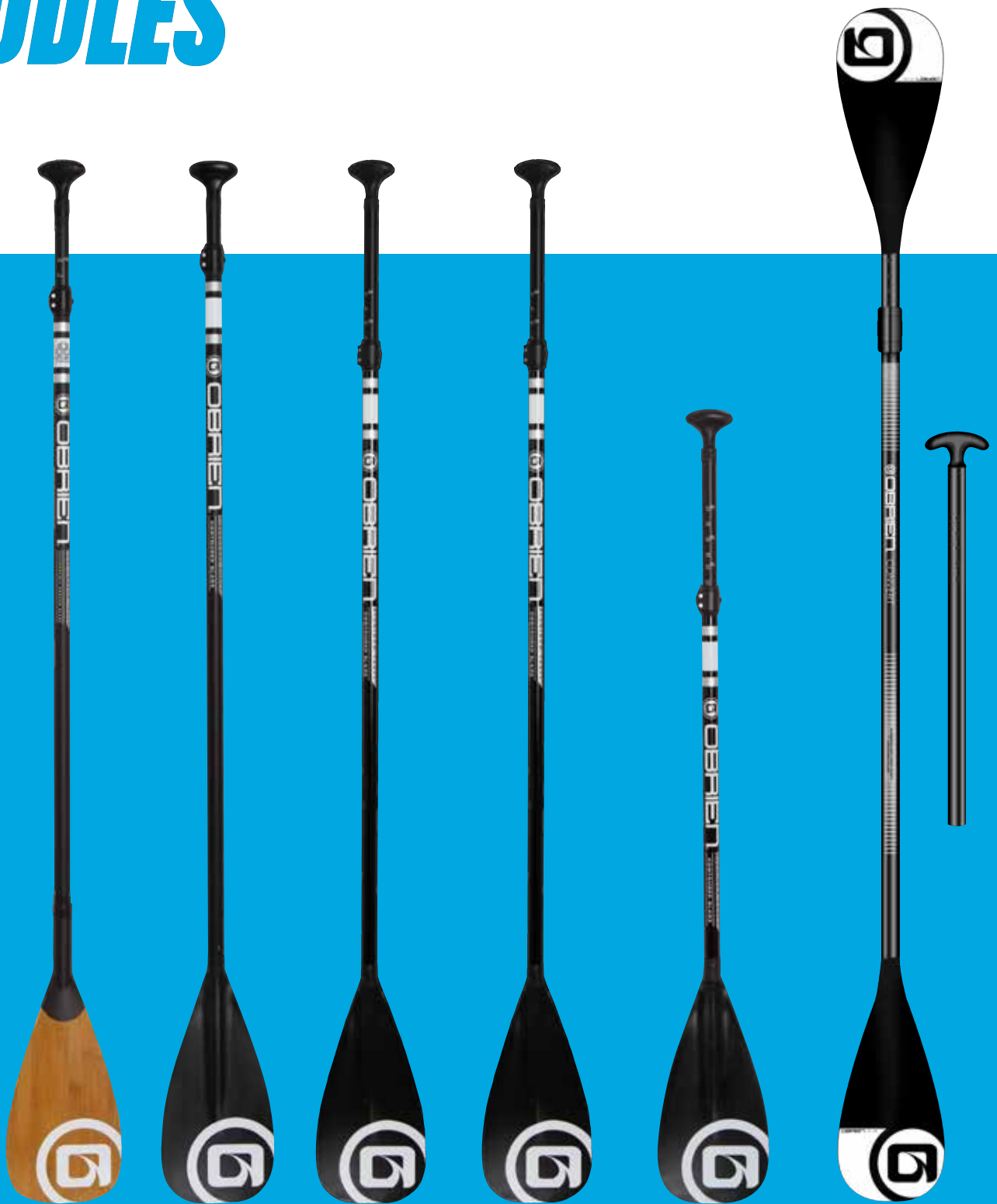
CARRYING BAG



KONA 10'6"

- LENGTH** 320.04cm / 126"
- WIDTH** 81.2cm / 32"
- VOLUME** 270.6 Liters
- FIN** Removable 9" ISUP Fin

PADDLES



MODEL	CARBON PRO	EXPLORER	ADVENTURE	ADV. TRAVEL	JR. ADVENTURE	CONVERT
BLADE MATERIAL	8" Bamboo Carbon	8" Ridgid Nylon Fiberglass	8" Ridgid Nylon Aluminum	8" Ridgid Nylon Aluminum	8" Ridgid Nylon Aluminum	8" Ridgid Nylon Aluminum
PIECES	2 Piece	2 Piece	2 Piece	3 Piece	2 Piece	4 Piece

FEATURES:

- Anti-twist grooved shaft
- Foam Core

ACCESSORIES



KANULOCK SUP TIE DOWNS

- Easy to lock buckles
- Cannot be cut by knife
- Less wind noise
- Easy to lock buckles secure your SUP to the rack on your vehicle

M-16 INFLATABLE BELT

- Pull the cord to inflate with the CO2 cartridge
- Minimalist design.
- Universal (30" - 52" Chest)
- U.S. Coast Guard/Transport Canada Approved

ARSENAL SUP LIFE JACKET

- Short vest with large armholes for added mobility
- Single zippered pocket
- X-Sm / Sm (28" - 36" Chest)
- Med / Lg (36" - 44" Chest)
- XL / XXL (44" - 56" Chest)
- U.S. Coast Guard/Transport Canada Approved



10' SUP LEASH

- 10' Ankle Leash
- 8mm PU cord
- Double Swivel
- Neoprene strap
- Quick Release



SUP ANCHOR

Lightweight 1.5 lb anchor & 15 foot rope keeps your paddleboard or float from drifting. The anchor folds up & stores in the included bag.



ISUP ELECTRIC PUMP

- Pump will stop automatically when the SUP is fully inflated to selected PSI setting
- Inflate SUPs and Drop-Stitch mats
- Adjustable from 1 to 20 psi
- Amp draw/PSI: 6.1
- Amps/2.3 PSI
- Digital PSI gauge
- Alligator clips included for connecting to battery



PADDLEBOARD BAG

- Padded to protect your SUP
- Heavy duty construction
- Available in 11' and 12'

SLALOM



WATERSKIS



SKI TECH

RECOMMENDED SKI SIZES



DUAL TUNNEL

Slices through rough water for a smooth, stable ride.



WIDE BODY DESIGN

Stable design that makes light work of deep water starts.



NARROW TUNNEL

Smoother ride and controlled turns.



TRANSITIONAL TUNNEL

Narrow concave transitions out towards the edge for a stable ride and smooth turns



RAPID RESPONSE TUNNEL

Performance concave tunnel for rapid edge to edge transitions and a stronger hold on turns.

TRADITIONAL

WEIGHT	26-30 mph (42-48 km)	30-34 mph (48-55 km)	34-36 mph (55-58 km)
Under 110 (<50)	61-64 (155-163)	61-64 (155-163)	61-64 (155-163)
105-120 (48-54)	61-66 (155-168)	61-64 (155-163)	61-64 (155-163)
115-140 (52-64)	61-66 (155-168)	61-66 (155-168)	63-66 (160-168)
135-160 (61-73)	64-69 (163-175)	63-66 (160-168)	63-66 (160-168)
155-180 (70-82)	66-69 (168-175)	66-69 (168-175)	66-68 (168-173)
175-200 (80-91)	68-69 (173-175)	68-69 (173-175)	66-69 (168-175)
200+ (91+)	69 (175)	68-69 (173-175)	68-69 (173-175)

SHAPED

Under 180 (<82)	65-66 (166-168)
180-210 (82-95)	67-68 (170-175)
OVER 210 (95+)	68-69 (173-175)

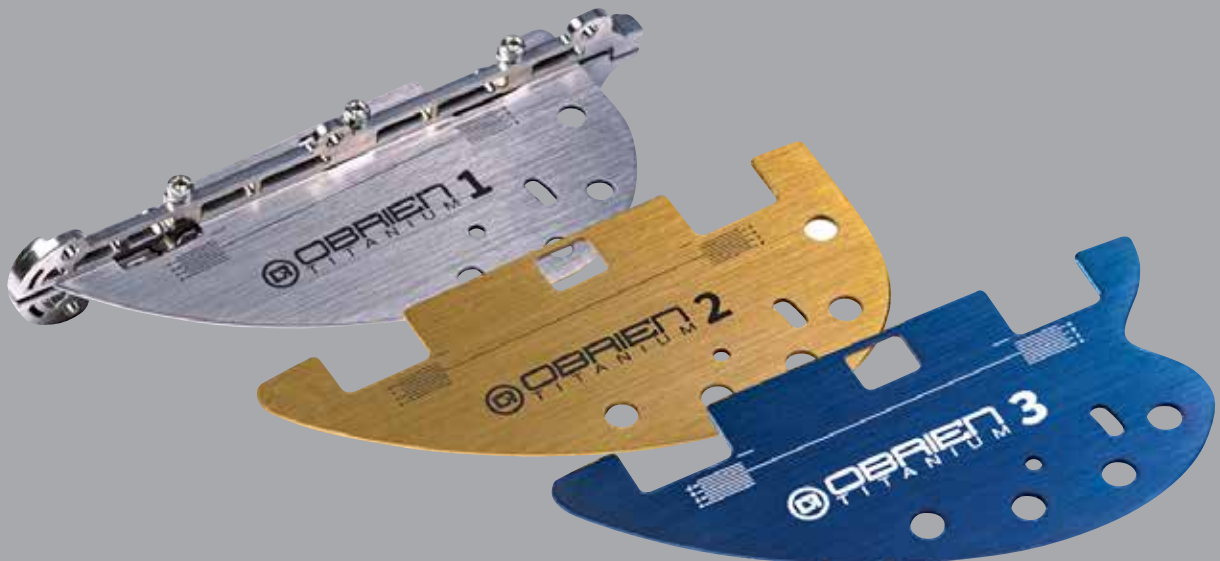
Ti FIN KIT

Significantly upgrade and expand your ski's performance with the new Ti Fin Kit. This set includes our all new ultralight titanium fin block, as well as three titanium ski fins, each with unique design characteristics, truly allows you to customize your ski and unleash your full potential in the course. By harnessing the strength and rigidity of pure Titanium, these fins generate immediate response and eliminate fin vibration, delivering ultimate performance on the water.

BLADE #1 Tried and true shape optimized over the years by legendary skiers including Andy Mapple and Glenn Campbell.

BLADE #2 Larger Fin with larger holes allows a more stable feeling however the lesser surface area of the larger holes allows the ski to roll through the turns with a little more aggression.

BLADE #3 Short & Sweet (Turn & Burn) - This blade allows the ski to feel very much alive in the turns and together with the Ski Shape really gain some extra angle across course not losing too much in speed.



OMERTA

PRO SERIES



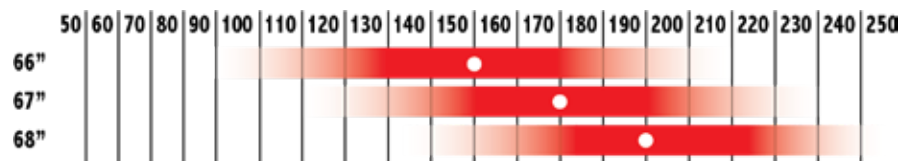
- SIZES** 66" / 67" / 68"
- FLEX** Pro
- FIN** Insight w/ Pro Wing
- BINDINGS** Encore, Plush
- TUNNEL** Rapid Response Tunnel
- BEVELS** 48 Degree Bevels

The Omerta artfully blends fiberglass into the carbon layup – providing a perfect level of smoothness and dampening to high-performance ride that will have weekend warriors as well as regional competitive enthusiasts posting PRs with ease.

BEGINNER  EXPERIENCED



WEIGHT RANGE



SIEGE

PERFORMANCE SERIES



59"

62"

64.5"

Developed from the legendary Sixam 2.0, the Siege is a forgiving intermediate level ski that delivers a stable ride with effortless turns. With six sizes to choose from, there's a Siege out there that's guaranteed to fit your needs. If you are looking for a high performance ski that is easy to ride, then you have found your match with the Siege.

SIZES	L: 59" W: 6.5" / L: 62" W: 6.5" / L: 64.5" W: 6.5" L: 66" W: 7" / L: 67.5" W: 7" / L: 69" W: 7.125"
FLEX	Performance
FIN	Carve
BINDINGS	Encore, Titan, Z-9 (62" and 59" Jr. Z-9 ONLY)
TUNNEL	Rapid Response Tunnel
BEVELS	Small, defined bevel for easier turning



66"



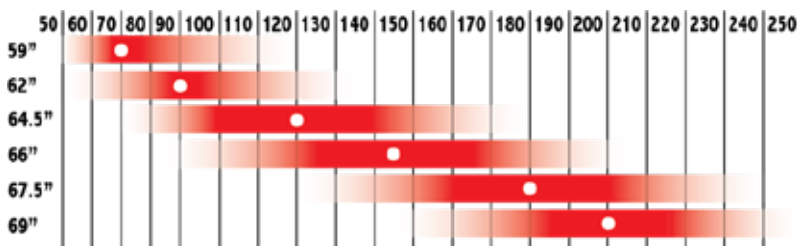
67.5"



69"



WEIGHT RANGE



BEGINNER  EXPERIENCED

SEQUENCE

SPORT SERIES

WORLD TEAM

SPORT SERIES



The Sequence utilizes a wide-body design so beginner to intermediate slalom skiers can enjoy easy deep water starts and stable turns.

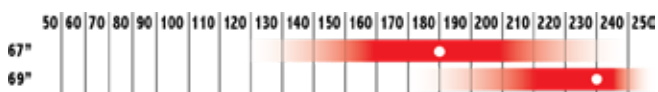
SIZES 67" / 69"
FLEX Sport
FIN Carve
TUNNEL Trans. Concave
BINDINGS Z-9
BEVELS Large, sharp

Our best selling World Team features a tried and true shape that delivers a stable and forgiving ride; ideal for beginner to intermediate skiers looking to progress their skiing.

SIZES 64" / 66" / 68"
FLEX Sport
FIN Carve
TUNNEL Narrow
BINDINGS Z-9
BEVELS 45 Degree Bevel

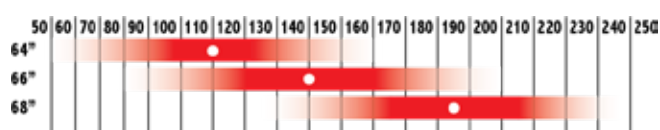
BEGINNER EXPERIENCED

WEIGHT RANGE



BEGINNER EXPERIENCED

WEIGHT RANGE





The perfect entry level slalom ski! Its smooth and stable performance stems from the dual tunnel design; making it one of the best skis for beginners to build their confidence.

SIZES 58" / 64" / 68"
FLEX Sport
FIN Carve
TUNNEL Dual Tunnel
BINDINGS Z-9
BEVELS 45 Degree Bevel



PRO SKIN

SIZES XS / SM / MD / LG / XL / XXL

- Full-fingered design
- Amara construction provides wear resistance
- Pre-curved fingers for less fatigue
- Wide wrist strap holds glove secure
- Backhand tab assures a custom fit



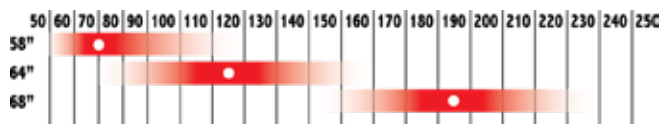
3/4 PRO SKIN

SIZE XS / SM / MD / LG / XL / XXL

- 3/4 Finger cut
- Amara provides wear resistance
- Pre-curved fingers for less fatigue
- Wide wrist strap for a secure fit
- Backhand tab assures a custom fit

BEGINNER  EXPERIENCED

WEIGHT RANGE



GLOVE SIZING

Selecting the Correct Glove Size



Place your hand on a flat surface and measure the widest part of the hand as shown in the illustration (not including the thumb). If your hand is between sizes, go up to the next full size.

2XS - 2 1/2"	XS - 2 3/4"	S - 3 1/8"
M - 3 1/2"	L - 3 3/4"	XL - 4 1/8"



OBERHEN
SLALOM

SLALOM BINDINGS

OBERHEN

OBERHEN

SLALOM BINDING TECH



STRUCTURE LINER

3-D molded, lightweight, lycra liner immerses your foot and ankle with superior comfort and control.



DUAL LACE ZONES

Dual lace zones for pinpoint fit adjustment.



POWER FLEX

Dual flex points allow the overlay to move with you; eliminating pressure points and heightening your connection with the binding.



LASTED CONSTRUCTION

Mindfully shaped to match the contours of your feet.



14 DEGREES OF ROTATION

Precise adjustments for binding rotation and placement amplify the skier's comfort and performance.



LOW PRO CHASSIS

Streamlined design for immediate control through turns, more leverage in the pull, quicker response times and highly sensitive feedback.



FRONT PLATE

REAR PLATE

SIZECHART

MEN

USA	2	4	5	6	7	8	9	10	11	12	13	14
EUR	33	36	37	39	40	41	42	43	44	45	46	47
UK	1	3	4	5	6	7	8	9	10	11	12	13
CM	20.6	22.2	23.2	23.5	24.4	25.4	26	27	27.9	28.6	29.4	30.2

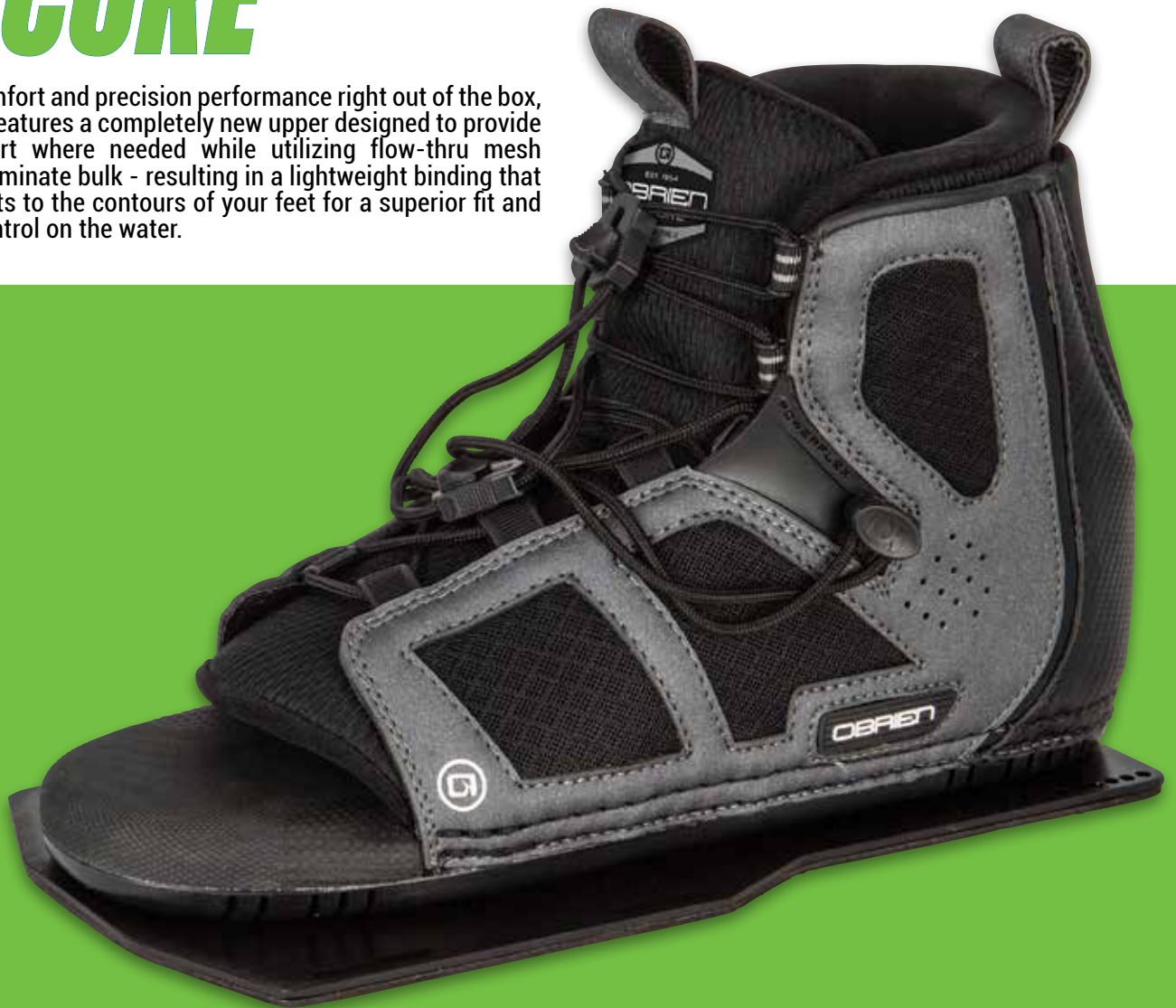
WOMEN

USA	2	4	5	6	7	8	9	10	11
EUR	33	35	35-36	36-37	37-38	38-39	39-40	40-41	41-42
UK	1	2	3	4	5	6	7	8	9
CM	20.6	20.8	21.6	22.5	23.5	24.1	25.1	25.9	26.7

**Please note: Closed toe bindings fit by width, thickness and length. Open toe bindings fit by foot width and thickness, but not length. Therefore this chart should only be used as a general guide. We recommend that you try on before purchasing. Bindings will soften for a looser fit with use.*

ENCORE

Extreme comfort and precision performance right out of the box, the Encore features a completely new upper designed to provide solid support where needed while utilizing flow-thru mesh panels to eliminate bulk - resulting in a lightweight binding that easily adjusts to the contours of your feet for a superior fit and elevated control on the water.



AVAILABLE SIZES: 5-7 / 7-10 / 10-12 / 12-14

- **Open Toe:** Open toe design allows greater range of fit
- **Dual Lace Zones:** Pinpoint fit adjustment
- **Ultra Mesh Overlay:** Form fitting overlay with flow through drainage panels and PowerFlex Hinge Points
- **Neoprene Rear Cuff Flex Panel**
- **Structure Liner:** 3-D molded liner immerses your foot and ankle with superior comfort and control.
- **Integrated J-Bars:** Eliminate heel lift within the binding for greater control and helps support the ankle
- **EVA Vibration-Dampening Pad:** EVA pad under the plate reduces vibration for a smoother ride
- **Aluminum Plate:** Highest performance, light weight.

**Each binding comes with both front and rear plates included*



PLUSH

The ultra lightweight Plush focuses on both fit and performance, presenting a great value in an all-around ski boot that provides all day comfort.



AVAILABLE SIZES: XS-SM (4-7) / MD-LG (8-12) / XL-XXL (10-14)

- **Open Toe:** Open toe design allows greater range of fit
- **Dual Lace Zones:** Pinpoint fit adjustment
- **Ultra Mesh Overlay:** Form fitting overlay with Power Flex Hinge Points
- **Neoprene Rear Cuff Flex Panel**
- **React Liner:** Lycra lined, molded toe and heel for greater comfort, adjustability and control
- **Integrated J-Bars:** Eliminate heel lift within the binding for greater control and helps support the ankle
- **Fiberglass Reinforced Nylon Polymer Plate**



LACE RTP

KEY FEATURES

- Aluminum Plate
- Built-in lateral stiffeners
- Lasted-style footwear construction



AVAILABLE SIZES: XS/S 4-7 / M/L 8-12 / XL/XXL 10-14

PLUSH RTP

KEY FEATURES

- Fiberglass Reinforced Nylon Polymer Plate
- Built-in lateral stiffeners
- Lasted-style footwear construction



AVAILABLE SIZES: XS/S 4-7 / M/L 8-12 / XL/XXL 10-14

Z-9

The Z-9 features a lightweight chassis/plate combination to get your foot as close to the ski as possible while still feeling nice and comfortable on an EVA footbed. The lower cut of the binding makes for an easier release and greater flexibility. The front lace system allows for easy entry, is a cinch to snug up and offers a wide range of size adjustments; making it the perfect binding for the family.

KEY FEATURES

- Fiberglass Reinforced Nylon Polymer Plate
- Soft dual layer overlay with EVA footbed



AVAILABLE SIZES: JR. Z-9 (2-7) / XS (4-7) / Standard (7-12) / XXL (12+)

Z-9 RTP

KEY FEATURES

- Fiberglass Reinforced Nylon Polymer Plate
- Soft dual layer overlay with EVA footbed



AVAILABLE SIZE: XS/MD (4-7) / STD (7-12)
 JUNIOR SIZE: (2-7) (Jr. Ski hole pattern only)



COMBO



USKMS

PERFORMER



CELEBRITY 68



If you have slalom and combo skiers in the same family, or you want to spend a lot of time on a slalom ski but still need a pair of combos to share with others, these are the skis for you. Built to be easy to get up on, but with features usually reserved for higher performance slalom skis, the Performers are the best of both worlds. Paired with the new Z-8 bindings, which utilize adjustable laces for a more secure fit and a fully padded footbed for premium comfort, the Performers have everything in place to enhance your overall experience on the water.

Our best-selling adult skis, the 68" Celebrities, make almost anyone, from newbies to experts, feel right at home on the water! With the easy adjustability and great fit of the X-7 bindings, you'll be skiing in no time. The heightened performance from the ski's side-cut bevel paired with the smooth, predictable control from its dual tunnel make the Celebrities the most versatile pair of combo skis in our line. Lots of surface area provides plenty of lift for exceptionally easy deep-water starts and a flatter, faster rocker line minimizes drag as well as fatigue.

LENGTH 68" / 172cm
FIN Nylon
BINDINGS Z-8 front,
BINDINGS 700 Adj. rear
FOOT SIZE MENS 7 - 13



LENGTH 68" / 172cm
FIN Nylon
BINDINGS X-7 Adj. Bindings
FOOT SIZE MENS 4.5 - 13



Available in Flag or Blue

CELEBRITY 64

CELEBRITY 58



The Celebrity 64's have all the great features of our best-selling 68 inch Celebrities in a compact, more manageable size for lighter-weight skiers. Just 4 inches shorter and slightly narrower than the 68 inch Celebrities, they are the perfect pair for lighter skiers who want increased maneuverability, but with the ease-of-use the Celebrities have always been famous for. In particular, the size of the Celebrity 64's work great for women and teenage kids. A flatter, faster, rocker line reduces drag, minimizes fatigue and allows for easier skiing.

The 58" Celebrities are the perfect size for preteen to early teenage skiers and lighter adults up to about 120 lbs. These shorter, lighter combo skis allow for better maneuverability and more fun on the water. They are the perfect way to introduce youngsters to the joys of waterskiing. Paired with our Jr. X-7 sliding adjustable binding, the skier's confidence will be soaring as they pop out of the water and start cruising around. In order to make deep water starts easier for beginners, the 58" Celebrities are packaged with a removable stabilizer bar to help hold the skis in place.

LENGTH 64" / 162cm
FIN Nylon
BINDINGS Jr. X-7 Adj. Bindings
FOOT SIZE MENS 2-7



LENGTH 58" / 147cm
FIN Nylon
BINDINGS Jr. X-7 Adj. Bindings
FOOT SIZE MENS 2-7
WT. RANGE UP TO 120 lbs.



REACTOR



The Reactor Combos may be our value-priced skis, but they are a true classic! Our most traditional pair of skis, the Reactors are a bit narrower overall, making them more maneuverable and responsive on the water. They are easy to get up on and with our dual tunnel design they deliver smooth, stable performance. Pinch-slide adjustable 700 series bindings make entry and exit a breeze. They may be inexpensive, but they're still O'Brien quality!

LENGTH 67" / 170cm
FIN Nylon
BINDINGS 700 Adj.
FOOT SIZE MENS 4.5 - 13



VORTEX 65



The Vortex Combos are our "Big-Daddy" wide-body pair. These skis are designed for super easy deep-water starts and big, carving turns, at minimal effort. The extra surface area reduces drag and provides a huge amount of lift to get bigger skiers up on plane with ease. The large surface area also allows for skiing at a slower, more comfortable boat speed. A side benefit is it takes less horsepower to get Vortex skiers up, and these make an easy way to teach deep-water slalom starts.

LENGTH 65.5" / 166cm
FIN Nylon
BINDINGS X-7 Adj. Bindings
FOOT SIZE MENS 4.5 - 13



Available in Blue or red

VORTEX 54



It may seem like an oxymoron, but the 54" Vortex Combos are the compact version of the "Big Daddy" adult Vortex combos. These skis are perfect for getting pre-teen to early teenage skiers up and out of the water and skiing like legends! They work great for lighter adults, too. The 54" Vortex offers the extra surface area that works so well on the 65" Vortex, but in a smaller, more maneuverable size for younger and lighter skiers.

LENGTH 54" / 137cm
FIN Nylon
BINDINGS Jr. X-7 Bindings
FOOT SIZE MENS 2 - 7
WT. RANGE UP TO 140 lbs.



PRO TRAC

COMBO SKIS



The Pro Trac is the perfect entry into the world of trick skiing. Sold as combos, these skis are designed so beginners can quickly build their skills on two skis and transition to a single ski as soon as they feel comfortable. Each ski comes mounted with a front Z-9 binding for a secure fit that wraps perfectly around your foot and the X-7 rear toe plate. There is no need to make any changes if someone else skis with a different foot forward; just grab the other ski and you are good to go. Due to their ease of use and forgiving ride, the Pro Tracs have quickly become the most popular recreational trick skis ever made!

FEATURES:
TAPERED BEVELS - Creates lift for easy starts
FULL LENGTH GROOVES - Increases stability
SYMMETRICAL ROCKER - Helps prevent falls

LENGTH 42" / 106.68cm
BEVEL Tapered
BINDINGS Z-9 / X-7
FOOT SIZE MENS 7-13

ALL-STAR TRAINER



When it's time to teach the kids to ski, the All-Star Trainers are the ultimate training tool! When you get a pair of All-Star Trainers, you are really getting a training system. These skis come with a stabilizer/trainer bar that prevents the skis from doing the "splits" and keeps them level. They also come with two ropes as part of the package; a short training rope and handle for the skier to hold that connects to the stabilizer bar at the front of the skis and a longer rope and handle to be held by an experienced observer in the boat. With this system, the observer can release the skier if they fall, taking the pressure off the kid. This system makes it incredibly easy to get them up and skiing with minimal drama. The All-Stars are the perfect system for making your kids into waterskiers!

LENGTH 46" / 117cm
FIN Molded-in
BINDINGS Jr. 700 Adj.
WT. RANGE Up to 85 lbs

KEY FEATURES

Stabilizer bar, Trainer rope with handle

PLATFORM TRAINER



Thousands of kids learned to ski on platform-style skis back in the 50's, 60's, and 70's. Well, what worked so well back then still works great today! When it comes to getting a little skier started right there's no substitute for surface area and the O'Brien Platform Trainers have surface area in abundance. The Platform Trainers are the whole training package, complete with a trainer rope and handle for the little skier to hold onto, and another rope for the observer in the boat. Your kids will be skiing in no time on the O'Brien Platform Trainers!

LENGTH 46" / 117cm
FIN Trainer
BINDINGS EVA Overlay
WT. RANGE Up to 85 lbs

KEY FEATURES

Trainer rope with handle, Maple Construction

SIMPLE TRAINER

There are few joys in life that rival teaching your kids to ski. The inflatable Simple Trainer will get your child started the easy way in the sport you already love. It's soft, and cushy, and just plain friendly-looking. Additionally, the inflated seat gives your child a comfy perch to stand up from. The cozy stirrups are on an inflated floor that absorbs the wakes. It comes complete with two ropes, one for the child and one for an adult to hold onto from the boat. This trainer will plane off with virtually any movement (even pulling while running along the beach) and the max speed is a very rider-friendly 8 mph. When you're done using it, just let the air out and put it away. The Simple Trainer makes teaching the kids to ski nearly automatic. Simple!

SIZE 53" x 40" (Deflated)
SEAT Softec surface
WT. RANGE Up to 85 lbs

KEY FEATURES
 Trainer rope with handle





KNEEBOARD



WATERSKIERS

KNEEBOARD TECH



FUSION CORE

Two wood stringers sandwiched next to our Feather Core foam. 5 times more durable than traditional foam and enhances the board's snap and pop off the wake.



DELTA BASE TECHNOLOGY

"Chevron" shaped channels molded into the tip and tail of the board reduces drag for faster edging and a cleaner release off the wake.



IMPACT BASE

Fully sintered high-density polyethylene base material that holds up to seasons of shredding rails, kickers, ledges, and whatever else you muster up.



FEATHER CORE

Feather Core reduces the board's swing weight for more midair control, while simultaneously maintaining its profile up the face of the wake for maximum pop.



CINCH STRAP

With its 2:1 ratio, the Cinch Strap provides fluid adjustability and impeccable hold to meet the demands of elite athletes.



DUAL DENSITY PAD

Delivers soft cushioning for your knees and impact dampening for an ultra-smooth ride.



TWIN-TIP WITH V-HULL

Softens landings and makes it easier to maintain control whether riding forward or backward.



DURARAIL SIDEWALLS

Impact resistant urethane rail that runs around the entire edge of the board; protecting the core from any hazard you throw its way.



MOLDED IN FINS

Quad molded in fins.



AQUA HOOK & HYDROHOOK

Hooks the handle to the board; making it easy for beginners to get up the first time and every time thereafter.



RETRACTABLE FINS

Cable-actuated design that modifies the board's performance while riding; effortlessly shift from a locked-in to loose.

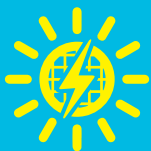


PRO PAD

An EVA outer, memory foam core, and high-density foam base give this triple-density pad unmatched comfort, cushioning, lateral support, and impact dampening. Additionally, the pad allows for customized placement on the board and is easy to reposition to find the perfect ride unique to each athlete.



PRO RIDER
JOHN HAILE



POWERED BY THE SUN

All of our wakeboards are proudly built in our 100% environmentally conscious solar powered factory!

ENFORCER

PARK BOARD



DESIGNED FOR RIDERS DESIRING UNRIVALED DURABILITY FOR CHARGING PARK FEATURES AND PUSHING THE BOUNDARIES OF WHAT CAN BE DONE ON THE WATER

Built off our wildly successful Sozo, the Enforcer shares many of its qualities but has been configured as a no-compromise all-terrain beast. Featuring our signature Impact Base, Durarail sidewalls, and snappy Fusion Core - the Enforcer can take anything you can throw at it and come back for more. The more parallel edge profile and squared off tip and tail are dialed in for pressing rails, hitting kickers, and overall incredible performance on the water. The snappy, flexible deck softens landings, helps initiate turns, and lets the tips flex – giving you maximum pressability on the rails.

LENGTH	51.8"	TIP ROCKER	3.4"
WIDTH	20"	TAIL ROCKER	1.8"
STRAP	3" Cinch	RAIL ROCKER	0.5"
BASE	Impact		



SOZO

PRO MODEL



BUILT FOR THE HARD CHARGING RIDERS DEMANDING A SNAPPY, RESPONSIVE RIDE WITH A SERIOUS KICK OFF THE WAKE

The Sozo's clean, efficient shape initiates turns easily, edges up the wake with a clean release, and is very forgiving. O'Brien's Fusion Core is CNC machined to exacting specifications, giving the board a liveliness and lightness like no other. Sandwich Construction makes for the optimum flex pattern, storing energy and releasing it perfectly at the wake. The board is explosive, lightweight and unbelievably maneuverable. The Sozo pad is state-of-the-art, too. It is extremely supportive, fully customizable, and softens landings like no pad ever seen.

LENGTH	51.8"	TIP ROCKER	3.4"
WIDTH	21.6"	TAIL ROCKER	1.8"
STRAP	3" Cinch Strap	RAIL ROCKER	0.5"



RICOCHET

NEW!

PERFORMANCE SERIES



DESIGNED FOR LEARNING HOW TO KNEEBOARD: FROM THE FIRST DAY ON THE WATER TO LEARNING MANY INTERMEDIATE TRICKS

Introducing the all-new Ricochet for 2025! Get ready to take your performance to new heights with a board that combines pro-level quality and value like never before. Crafted with the same top-notch materials as our flagship models, the Ricochet offers a sleek, lightweight design built on a twin-tip and V-Hull for unbeatable performance and effortless comfort. The advanced compression-molded construction, along with a molded flex pad and a 3" padded strap, ensures heightened responsiveness and a secure fit. Plus, the removable aquatic hook makes training easier than ever. The Ricochet is your perfect entry into the world of high-performance kneeboarding. Get ready to experience the thrill!

LENGTH 51.5"
WIDTH 22.3"
STRAP 3" padded, adjustable strap

TIP ROCKER 3.5"
TAIL ROCKER 1.55"



BLACK MAGIC

ROTOMOLDED SERIES



Capable of doing it all, the Black Magic is the best "family" kneeboard on the market. Its famous cable-actuated retractable fin system and aquatic hook make the Black Magic the perfect board for successfully teaching kids and beginners the finer points of deep-water starts. Its size pairs well with adults and kids alike and its smooth bottom contouring delivers a super stable and extremely comfortable ride for all.

LENGTH 51.5"
WIDTH 22.3"
STRAP 3" Padded, adjustable strap

KEY FEATURES

- Durable Rotomolded Hull
- Dual density EVA pad
- Deep knee wells



AQUA HOOK & HYDROHOOK

Hooks the handle to the board; making it easy for beginners to get up the first time and every time thereafter.



RETRACTABLE FINS

Cable-actuated design that modifies the board's performance while riding; effortlessly shift from a locked-in to loose.



DUAL DENSITY EVA PAD

Delivers soft cushioning for your knees and impact dampening for an ultra-smooth ride.



VOODOO

ROTOMOLDED SERIES

RADICA

ROTOMOLDED SERIES



The VooDoo combines hard-charging runs at the wake with a forgiving ride. Quad molded fins at each corner provide extra tracking and the curved underside makes for quick and smooth edge transitions. The 3/4" thick pad provides plush comfort for your knees and ankles, while the 3-inch padded strap secures you for maximum control.

We've blended wakeboard and waterski design elements into the Radica to bring levels of performance previously unheard of at this price. With wakeboard-style cupped quad molded fins, the Radica edges and carves like no other while still allowing the board to release for spins. Pulling tech from waterskis, the Radica utilizes a beveled edge to help the board sit lower in the water for added stability and quick edge-to-edge transitions.

LENGTH 51.25"
WIDTH 22"
STRAP 3" Padded, adjustable strap

LENGTH 49.7"
WIDTH 20.1"
STRAP 3" Padded, adjustable strap

KEY FEATURES

- Durable Rotomolded Hull
- 3/4" thick EVA pad



KEY FEATURES

- Durable Rotomolded Hull
- 3/4" thick EVA pad
- Variable beveled edge



PRO XLT

HYDROSLIDE

ROTOMOLDED SERIES



PHANTOM

HYDROSLIDE

ROTOMOLDED SERIES



Our proven parabolic shape is back, better than ever in the updated Pro-XLT. The new, integrated HydroHook allows the rider to get up quickly with little effort while the added retractable fin system allows you to adjust the ride on the fly – extend the fins for more control when charging the wake – or with a quick slide of the lever retract them for easier spins.

KEY FEATURES

- Durable Rotomolded Hull
- Dual density EVA pad
- Dual retractable fins
- Deep knee wells
- Parabolic twin-tip design
- Patented thin profile

The Hydroslide tip shaped, thin-profile kneeboard that gives the rider an experience hotter than the board's graphics. Deep knee wells and a 3" padded strap keep the rider in control and ready for the biggest maneuvers. The Phantom also features the HydroHook to help beginners get up and riding easily and molded-in fins for precision tracking.

KEY FEATURES

- Durable Rotomolded Hull
- EVA pad with deep knee wells
- Parabolic twin-tip design
- Patented thin profile

LENGTH 51.75"
 WIDTH 21"
 STRAP 3" Shock Strap



LENGTH 52.25"
 WIDTH 21"
 STRAP 3" padded strap



REVOLUTION

HYDROSLIDE
ROTOMOLDED SERIES



The Revolution features a classic spoon shape that gives it a smooth, easy ride with quick edge-to-edge transitions - without sacrificing any pop off the wake. Its thin-profile design not only looks great but it also delivers the performance found with more expensive boards. The HydroHook also makes the Revolution incredibly easy for beginners to get up on; making it a great board for everyone in the boat.

KEY FEATURES

- Durable Rotomolded Hull
- EVA pad with deep knee wells
- Classic spoon shape
- Patented thin profile

LENGTH 52.5"
WIDTH 20.5"
STRAP 3"padded strap



FREEBOARDS



FREEBOARD

LENGTH	56.42"
WIDTH	26"
VOLUME	27.55 Liters
MAX WEIGHT	240 LBS



FREEBOARD MICRO

LENGTH	47.89"
WIDTH	24"
VOLUME	21.59 Liters
MAX WEIGHT	140 LBS

The O'Brien Freeboard, Freeboard Micro and Hydroslide Max are built for fun on the water! Their optimized shape and features make it one of the most versatile boards on the market. Attach the handle to the built-in hook and effortlessly cruise behind the boat. Take the handle in your hands for an exciting kneeboard style ride or, for more of a challenge, stand up, cruise around and even take it for a surf!

KEY FEATURES

- Dual tracking fins
- Integrated hook
- 3/4" EVA pad
- Beveled Edge

WAKESURF



WAKEBOARD



KNEEBOARD



INTEGRATED HOOK

The integrated hook is designed to help lock the handle to the board and make it easy for beginners to get up the first time and every time thereafter

3/4" EVA PAD
EVA deck pad is comfortable to knees and feet

FORGIVING BEVELED EDGE



DUAL MOLDED TRACKING FINS



INFLAT



SoftCo

SoftCo
ULTRA



TUBES



SOFTEC

An industry-exclusive fabric that feels incredibly soft on your skin and eliminates the need for neoprene pads on tubes. This soft-touch nylon material covers the tube's entire riding surface to eradicate unnecessary seams and any discomfort they may cause. Upgrade your experience and enjoy tubing like you never have before.

SOFTEC ULTRA

The softest, most luxurious riding surface ever created for tubes! This smooth, skin-friendly material eliminates the dreaded tube rash caused by traditional covers, so everyone can have a blast ripping around the lake all day long. Treat yourself to the best thing that has ever happened to tubing!

TWO WAY TOWING

With a Quick Connect attachment on both the front and the rear of the tube, easily change tow points and enjoy riding your tube in a completely different way. It's like having two tubes in one.

PILLAR

DEFLATED SIZE: 96" Diameter // MAX. RIDERS: 4 Riders or 680 lbs



- 30/24 Gauge
- Fully Covered 840 D Nylon
- 16 Soft Handles with Knuckle Guards
- 1 Quick Connect Tow Hook
- 2 Lightning Valves

**Use a tow rope with a tensile strength of 4100 lbs*

SOMBRERO

DEFLATED SIZE: 88" Diameter // MAX. RIDERS: Up to 4 Riders or 680 lbs



- 30/26/24 Gauge
- Fully Covered 840 D Nylon
- 8 Soft Handles with Knuckle Guards
- Inflatable Seats
- 1 Quick Connect Tow Hook
- 3 Lightning Valves

**Use a tow rope with a tensile strength of 4100 lbs*

DRIFTER 2 ^{NEW!}

DEFLATED SIZE: 73" x 51" // MAX. RIDERS: Up to 2 Riders or 340 lbs



- 24/28 Gauge
- Fully Covered 840/420 D Nylon
- 4 Soft Ultra Grip Handles
- Seat Pads
- 1 Quick Connect Tow Hook
- 1 Lightning Valve, 3 Spark Valves

****Use a tow rope with a tensile strength of 2375 lbs***

DRIFTER 3 ^{NEW!}

DEFLATED SIZE: 73" x 61" // MAX. RIDERS: Up to 3 Riders or 510 lbs



- 24/28 Gauge
- Fully Covered 840/420 D Nylon
- 6 Soft Ultra Grip Handles
- Seat Pads
- 1 Quick Connect Tow Hook
- 1 Lightning Valve, 4 Spark Valves

****Use a tow rope with a tensile strength of 3350 lbs***

SPEEDSTER 2 ^{NEW!}

DEFLATED SIZE: 61" x 54" // MAX. RIDERS: Up to 2 Riders or 340 lbs



- 26 Gauge
- Fully Covered 420 D Nylon
- 6 Soft Ultra Grip Handles
- EVA Pad
- 1 Quick Connect Tow Hook
- 1 Lightning Valve

***Use a tow rope with a tensile strength of 2375 lbs**

SPEEDSTER 3 ^{NEW!}

DEFLATED SIZE: 70" x 60" // MAX. RIDERS: Up to 3 Riders or 510 lbs



- 26 Gauge
- Fully Covered 420 D Nylon
- 6 Soft Ultra Grip Handles
- EVA Pad
- 1 Quick Connect Tow Hook
- 1 Lightning Valve

***Use a tow rope with a tensile strength of 3350 lbs**

ULTIMATE BOXXER 2

DEFLATED SIZE: 66" x 66" // MAX. RIDERS: Up to 2 Riders or 340 lbs



- 26 Gauge
- Fully Covered 420 D Nylon
- 6 Soft Ultra Grip Handles
- SofTec Ultra Top Material
- 1 Quick Connect Tow Hook
- 1 Lightning Valve

**Use a tow rope with a tensile strength of 2375 lbs*

ULTIMATE BOXXER 3

DEFLATED SIZE: 66" x 76" // MAX. RIDERS: Up to 3 Riders or 510 lbs



- 28 Gauge
- Fully Covered 420/840 D Nylon
- 8 Soft Ultra Grip Handles
- SofTec Ultra Top Material
- 1 Quick Connect Tow Hook
- 1 Lightning Valve

**Use a tow rope with a tensile strength of 3350 lbs*

ULTIMATE ULTRA SCREAMER

DEFLATED SIZE: 80" Diameter // MAX. RIDERS: Up to 3 Riders or 510 lbs



- 28 Gauge
- Fully Covered 420/840 D Nylon
- 6 Soft Ultra Grip Handles

- SofTec Ultra Top Material
- 1 Quick Connect Tow Hook
- 1 Lightning Valve

**Use a tow rope with a tensile strength of 3350 lbs*

PARADISE SUPER SCREAMER

DEFLATED SIZE: 70" Diameter // MAX. RIDERS: Up to 2 Riders or 340 lbs



- 26 Gauge
- Fully Covered 420 D Nylon
- 6 Soft Ultra Grip Handles
- SofTec Ultra Top Material
- 1 Quick Connect Tow Hook
- 1 Lightning Valve

**Use a tow rope with a tensile strength of 2375 lbs*

PARADISE ULTRA SCREAMER

DEFLATED SIZE: 80" Diameter // MAX. RIDERS: Up to 3 Riders or 510 lbs



- 28 Gauge
- Fully Covered 420/840 D Nylon
- 6 Soft Ultra Grip Handles

- SofTec Ultra Top Material
- 1 Quick Connect Tow Hook
- 1 Lightning Valve

**Use a tow rope with a tensile strength of 3350 lbs*

NEW U

DEFLATED SIZE: 57" x 61" // MAX. RIDERS: Up to 2 Riders or 340 lbs



- 24/28 Gauge
- Fully Covered 840 D Nylon
- 4 Cushioned Handles w/ Knuckle Guards
- 1 EVA Pad
- 1 Quick Connect Tow Hook
- 1 Lightning Valve
- 2 Eco Valves

**Use a tow rope with a tensile strength of 2375 lbs*

SHOCK BALL

DEFLATED SIZE: 41" x 22" // MAX. RIDERS: *Tow Up to 4 Rider Towables*



The Shockball elevates your towable experience by keeping the rope out of the water, both increasing boat fuel economy and reducing the amount of water that gets splashed into the tube. With two removable 5' sections, this towrope makes it easy to adjust the position of the Shockball to fit your specific needs.



- 30 Gauge
- 60' Total Rope Length
- 1 Lightning Valve

**Tow rope included with a tensile strength of 4100 lbs*

D-LUX 2

DEFLATED SIZE: 60" x 65" // MAX. RIDERS: Up to 2 Riders or 340 lbs



- 24 Gauge
- Fully Covered 420 D Nylon
- 4 Soft Handles w/ Knuckle Guards
- 1 EVA Pad
- 1 Quick Connect Tow Hook
- 1 Lightning Valve

**Use a tow rope with a tensile strength of 2375 lbs*

D-LUX 3

DEFLATED SIZE: 66" x 75" // MAX. RIDERS: Up to 3 Riders or 510 lbs



- 26 Gauge
- Fully Covered 420 D Nylon
- 6 Soft Handles w/ Knuckle Guards
- 1 EVA Pad
- 1 Quick Connect Tow Hook
- 1 Lightning Valve

**Use a tow rope with a tensile strength of 3350 lbs*

SCREAMER

DEFLATED SIZE: 60" Diameter // MAX. RIDERS: 1 Rider or 170 lbs



- 24 Gauge
- Fully Covered 420 D Nylon
- 4 Soft Handles w/ Knuckle Guards
- 2 EVA Pads
- 1 Quick Connect Tow Hook
- 1 Lightning Valve

**Use a tow rope with a tensile strength of 1500 lbs*

SUPER SCREAMER

DEFLATED SIZE: 70" Diameter // MAX. RIDERS: Up to 2 Riders or 340 lbs



- 26 Gauge
- Fully Covered 420 D Nylon
- 6 Soft Handles w/ Knuckle Guards
- 2 EVA Pads
- 1 Quick Connect Tow Hook
- 1 Lightning Valve

****Use a tow rope with a tensile strength of 3350 lbs***

ULTRA SCREAMER

DEFLATED SIZE: 80" Diameter // MAX. RIDERS: Up to 3 Riders or 510 lbs



- 28 Gauge
- Fully Covered 840 D Nylon
- 6 Soft Handles w/ Knuckle Guards
- 2 EVA Pads
- 1 Quick Connect Tow Hook
- 1 Lightning Valve

**Use a tow rope with a tensile strength of 3350 lbs*

X-SCREAM

DEFLATED SIZE: 96" Diameter // MAX. RIDERS: Up to 4 Riders or 680 lbs



- 30 Gauge
- Fully Covered 840 D Nylon
- 8 Soft Handles w/ Knuckle Guards
- 2 EVA Pads
- 1 Quick Connect Tow Hook
- 1 Lightning Valve

**Use a tow rope with a tensile strength of 4100 lbs*

BARCA 2

DEFLATED SIZE: 70" x 63" // MAX. RIDERS: Up to 2 Riders or 340 lbs



- 30/24 Gauge
- Fully Covered 840/420 D Nylon
- 4 Soft Handles w/ Knuckle Guards
- 4 Webbing Handles
- 2 EVA Pads
- 2 Quick Connect Tow Hooks
- 2 Lightning Valves

**Use a tow rope with a tensile strength of 2375 lbs*

BARCA 3

DEFLATED SIZE: 70" x 86" // MAX. RIDERS: Up to 3 Riders or 510 lbs



- 30/24 Gauge
- Fully Covered 840/420 D Nylon
- 6 Soft Handles w/ Knuckle Guards
- 6 Webbing Handles
- 3 EVA Pads
- 2 Quick Connect Tow Hooks
- 2 Lightning Valves

**Use a tow rope with a tensile strength of 3350 lbs*

SPOILER 2

DEFLATED SIZE: 70" x 65" // MAX. RIDERS: Up to 2 Riders or 340 lbs



- 28/24 Gauge
- Fully Covered 840/420 D Nylon
- 4 Soft Handles w/ Knuckle Guards
- 1 Quick Connect Tow Hook
- 1 Lightning Valve
- 4 Eco Valves

**Use a tow rope with a tensile strength of 2375 lbs*

SPOILER 3

DEFLATED SIZE: 77" x 92" // MAX. RIDERS: Up to 3 Riders or 510 lbs



- 28/24 Gauge
- Fully Covered 840/420 D Nylon
- 6 Soft Handles w/ Knuckle Guards
- 1 Quick Connect Tow Hook
- 1 Lightning Valve
- 6 Eco Valves

**Use a tow rope with a tensile strength of 4100 lbs*





BALLER 2

DEFLATED SIZE: 66" x 66"

MAX. RIDERS: Up to 2 Riders or 340 lbs

FEATURES

- 28/24 Gauge
- Fully Covered 840/420 D Nylon
- 4 Soft Ultra Grip Handles
- 8 Webbing Handles
- SofTec
- 2 Quick Connect Tow Hooks
- 2 Lightning Valves

**Use a tow rope with a tensile strength of 2375 lbs*



BALLER 3

DEFLATED SIZE: 70" x 78"

MAX. RIDERS: Up to 3 Riders or 510 lbs

FEATURES

- 30/24 Gauge
- Fully Covered 840/420 D Nylon
- 4 Soft Ultra Grip Handles
- 10 Webbing Handles
- SofTec
- 2 Quick Connect Tow Hooks
- 2 Lightning Valves

**Use a tow rope with a tensile strength of 3350 lbs*



BALLER 4

DEFLATED SIZE: 75" x 93"

MAX. RIDERS: Up to 3 Riders or 510 lbs

FEATURES

- 30/26 Gauge
- Fully Covered 840 D Nylon
- 8 Soft Ultra Grip Handles
- 10 webbing Handles
- SofTec
- 2 Quick Connect Tow Hooks
- 2 Lightning Valves

**Use a tow rope with a tensile strength of 4100 lbs*



BATWING 2

DEFLATED SIZE: 61" x 95" // MAX. RIDERS: Up to 2 Riders or 340 lbs



- 28 Gauge
- Fully Covered 420/840 D Nylon
- 4 Soft Ultra Grip Handles
- SofTec Ultra
- 1 Quick Connect Tow Hook
- 1 Lightning Valve

**Use a tow rope with a tensile strength of 2375 lbs*

BATWING 3

DEFLATED SIZE: 62" x 105" // MAX. RIDERS: Up to 3 Riders or 510 lbs




SofTec^{SERIES}
ULTRA

- 28 Gauge
- Fully Covered 840 D Nylon
- 6 Soft Ultra Grip Handles
- SofTec Ultra
- 1 Quick Connect Tow Hook
- 1 Lightning Valve

**Use a tow rope with a tensile strength of 3350 lbs*



CHALLENGER 3

DEFLATED SIZE: 77" x 105"

MAX. RIDERS: Up to 3 Riders or 510 lbs

FEATURES

- 24/26/30 Gauge
- Fully Covered 840/420 D Nylon
- 6 Soft Handles with Knuckle Guards
- Inflatable Floors
- 1 Quick Connect Tow Hook
- 2 Lightning Valves
- 1 Eco Valve

**Use a tow rope with a tensile strength of 3350 lbs*



TUBESTER

DEFLATED SIZE: 54" Diameter

MAX. RIDERS: 1 Rider or 170 lbs

FEATURES

- 24 Gauge
- Partially Covered 420 D Nylon
- 4 Soft Handles with Knuckle Guards
- 1 Eco Valve

**Use a tow rope with a tensile strength of 1500 lbs*



2-DALOO

DEFLATED SIZE: 60" x 70"

MAX. RIDERS: 2 Riders or 340 lbs

FEATURES

- 24 Gauge
- Partially Covered 420 D Nylon
- 4 Soft Handles with Knuckle Guards
- 1 Quick Connect Tow Hook
- 1 Lightning Valve

**Use a tow rope with a tensile strength of 2375 lbs*







LE TUBE

DEFLATED SIZE: 56" Diameter
MAX. RIDERS: 1 Rider or 170 lbs

FEATURES

- 26 Gauge
- Partially Covered 420 D Nylon
- 4 Soft Handles with Knuckle Guards
- 1 Quick Connect Tow Hook
- 1 Lightning Valve

**Use a tow rope with a tensile strength of 1500 lbs*



LE TUBE DELUXE

DEFLATED SIZE: 56" Diameter
MAX. RIDERS: 1 Rider or 170 lbs

FEATURES

- 26 Gauge
- Fully Covered 420 D Nylon
- 4 Soft Handles with Knuckle Guards
- 1 Quick Connect Tow Hook
- 1 Lightning Valve

**Use a tow rope with a tensile strength of 1500 lbs*



SUPER LE TUBE

DEFLATED SIZE: 70" Diameter
MAX. RIDERS: Up to 2 Riders or 340 lbs

FEATURES

- 26 Gauge
- Partially Covered 840 D Nylon
- 8 Soft Handles with Knuckle Guards
- Inflatable Floor
- 1 Quick Connect Tow Hook
- 1 Lightning Valve
- 1 Eco Valve

**Use a tow rope with a tensile strength of 2375 lbs*

PUMPS



HIGH-VOLUME 12V INFLATOR

FEATURES

- Heavy-duty construction
- Alligator clip battery connectors for maximum power
- Large-diameter hose
- Quickly inflates/deflates large volume inflatables
- Inflates up to 2.3 PSI
- Wide selection of nozzles included



12V INFLATOR

FEATURES

- DC 12V
- 3 standard nozzles
- Seven feet of wire cord
- Inflates up to 1.2 PSI



OB 2.5 INFLATOR

FEATURES

- High-volume 110V electric pump
- Inflates up to 2.5 PSI
- Max output: 1600 l/min
- Max power: 600 Watt
- Kink-proof hose
- Wide selection of nozzles included
- Recommended for inflating large tubes



110V HP INFLATOR

FEATURES

- Powerful 600w, high-volume 110V electric pump
- Inflates up to 2.4 PSI
- Quickly, easily Inflates/deflates all inflatables
- Kink-proof hose
- Wide selection of nozzles included



VINYL REPAIR KIT

FEATURES

- Repairs holes and tears instantly
- Airtight and watertight
- Type B
- Repairs inflatables, seats, and cushions
- Won't discolor
- No messy liquid adhesive to apply





1. 2. 3. 4. 5. 6. 7. 8. 9. 10. 11. 12. 13. 14. 15. 16. 17. 18. 19. 20. 21. 22. 23. 24. 25. 26. 27. 28. 29. 30. 31. 32. 33. 34. 35. 36. 37. 38. 39. 40. 41. 42. 43. 44. 45. 46. 47. 48. 49. 50. 51. 52. 53. 54. 55. 56. 57. 58. 59. 60. 61. 62. 63. 64. 65. 66. 67. 68. 69. 70. 71. 72. 73. 74. 75. 76. 77. 78. 79. 80. 81. 82. 83. 84. 85. 86. 87. 88. 89. 90. 91. 92. 93. 94. 95. 96. 97. 98. 99. 100.

ULTIMATE EASY RIDER

NEW!

CHILLING HAS NEVER BEEN THIS EASY - OR COMFORTABLE!

We've taken relaxing to a whole new level with our Ultimate Easy Rider. This isn't just any float – it's designed with super soft sandwich mesh fabric that wraps you in comfort as you float your worries away. With its generous headrest and mesh seat bottom, you'll feel like you're lounging on a cloud. And let's not forget the cupholder – because every perfect day on the water needs your favorite beverage close at hand. So go ahead, embrace the good life with the Ultimate Easy Rider.

FEATURES

- Size: 47" Diameter (Deflated)
- Quick-Drying Mesh Fabric For Unparalleled Comfort
- Drink Holder
- Perfectly Designed For Teens And Adults Who Love To Chill





DOUBLE EASY RIDER



Grab a friend, take a seat, and truly enjoy your time on the water with the O'Brien Double Easy Rider pool float. This two-person float is perfect for a fun day at the beach, lake, or pool! With built-in backrests, mesh seatbases, and two cup holders, you'll day on the water!

FEATURES

- Size: 47" X 79" (Deflated)
- Black Mesh Bottom
- Heavy Gauge Construction
- Two Drink Holders
- Designed For Two People



EASY RIDER



Sit back, relax, and float the day away on the O'Brien Easy Rider pool float. The Easy Rider elevates the performance of a traditional donut-style float by incorporating a fixed backrest and a mesh seat base to enhance your comfort as you soak up the sun and drift around the swimming pool. Plus, it has a built-in drink holder, so you can always have a nice cold beverage close at hand.

FEATURES

- Size: 47" Diameter (Deflated)
- Black Mesh Bottom
- Heavy Gauge Construction
- Drink Holder
- Designed For One Person



LOUNGER



Stay high and dry as you soak up the sun on the extra-thick O'Brien Lounger pool float. With its premium comfort SofTec top and built-in cup holder, this is the ultimate float for relaxing on the water.

FEATURES

- Size: 72" X 39" (Deflated)
- Comfortable SofTec Seating Area
- Heavy Gauge Construction
- Built-In Cup Holder
- Side Handle For Easy Carrying
- 3-Way Valve For Quick Inflation
- Designed For One Person



SIT 'N' SIP



The O'Brien Sit 'N' Sip is the perfect pool float for those who love relaxing in the water. With its inflatable sling-style seat and comfortable back and armrests, float effortlessly and enjoy the water's soothing sensations. It's so comfortable you'll never want to leave. Good thing there is a built-in cup holder so you can keep a drink close by and maximize your floating experience.

FEATURES

- Size: 51" X 36" (Deflated)
- 2 Sides, Each With A Cup Holder
- Heavy Gauge Construction
- 3-Way Valve For Quick Inflation
- Designed For One Person



PONG RAFT



Bring the party to the pool with the O'Brien Pong Raft! It's the perfect way to hang out with friends and play games in the water on a hot, sunny day. Just grab a ping pong ball, some cups, tasty beverages, and let the fun begin! Once the party has dispersed, flip the Pong Raft over, lie down, relax, and catch some rays!

FEATURES

- Size: 84" X 36" (Deflated)
- Heavy Gauge Construction
- 3-Way Valve For Quick Inflation
- Flip It Over For Lounging

Cups and ball NOT included.



18 POCKET FLOAT



Beat the heat with the 18 Pocket Float! This multipurpose pool float is perfect for lounging and soaking up the sun, as well as adding some life to the party. With 18 built-in pockets, perfect for holding drinks, this float doubles as THE gathering spot for your next pool party.

FEATURES

- Size: 74" X 28" (Deflated)
- Heavy Gauge Construction
- 3-Way Valve For Quick Inflation
- Designed For One Person



FLOAT 'N' GO



The O'Brien Float 'N' Go is the perfect companion when all you want to do is hang out on the water. With its removable insulated drink tote that can hold up to 12 cans and an inflatable snack tray with five built-in drink holders, you can enjoy your drinks and snacks without ever having to leave the water. The Float 'N' Go also features a connection grommet for easy attachment to pool floats, SUPs, docks, etc., so you can always keep your party island within arm's reach.

FEATURES

- 5 Built-In Drink Holders
- Snack Tray
- Removable 20 Quart Insulated Drink Tote



SKIMBOARD



FEATURES

- Great For Beginners. Perfect For Kids And Adults
- Sturdy Resin Coated Cross Layered Wood Construction
- Durable And Lightweight
- Contoured Design: Glides Further Through The Water



MATS & C



SADDLES



RUNWAY

12' RUNWAY: 12' X 6' X 4"
18' RUNWAY: 18' X 6' X 4"

Liven up any party with the O'Brien Runway! This heavy-duty, inflatable, supersized island keeps the fun flowing as you run, jump, and play the day away. Alternatively, the Runway can also be used as your own floating island for you and some friends to relax and lounge in the sun. Just pump it up with the included dual-action pump and enjoy your time on the water.

* Pump sold separately.



- Inflates to a rigid platform
- Premium 4" drop stitch technology
- Double reinforced seams
- Integrated carrying handles

- QuickLink D-ring every 2 feet
- Heavy gauge construction
- Carrying / Storage bag included



10' RUNWAY-FLAG EDITION: 10' X 6' X 4"

With its vibrant colors and American flag design, the O'Brien Runway Flag Edition is sure to be the centerpiece of any party. Whether you're hosting a beach gathering, or simply want to have some fun on the lake, this inflatable island will take your event to the next level.

But the Runway Flag Edition isn't just for high-energy play. It also doubles as a comfortable lounge area for those moments when you need a break from all the excitement. Gather your friends, lay back, and let the gentle waves rock you as you sunbathe or chat away. With its spacious design, there's plenty of room for everyone to stretch out and enjoy the sun's warm rays.

* Pump sold separately.

- Inflates to a rigid platform
- Premium 4" drop stitch technology
- Double reinforced seams
- Integrated carrying handles
- QuickLink D-ring every 2 feet
- Heavy gauge construction
- Carrying / Storage bag included



PARTY DECK

7' x 7' x 6"

Looking for the ultimate lake accessory to relax and take in the stunning views? Look no further than the Party Deck from O'Brien - perfect for lazy days on the lake, family outings, or entertaining friends. The Deck is covered with soft EVA and offers unparalleled comfort whether you're tanning, lounging, or simply hanging out. And with multiple tie-off points and quick link connector points, it's easy to link up with other O'Brien drop stitch floats for the ultimate floating party experience.

FEATURES

- Inflates to a rigid platform
- Premium 6" drop stitch technology
- Double reinforced seams
- Integrated carrying handles
- 16 QuickLink D-rings
- 2 Deck Handles
- 4 Carrying Handles
- Heavy gauge construction
- Carrying / Storage bag included

* Pump sold separately.





QUICK-LINK

Quickly and securely connect multiple Runways and Party Decks for the ultimate playground on the water! Just loop them through the D-Rings and back through the cam buckle, pull tight, and you are good to go.

FEATURES

- Easily connect your Runways and Party Decks
- Metal cam buckles lock the straps in place
- Includes two Quick Link Connectors



DRIFT ANCHOR BAG

FEATURES

- Easy-fill bag for smooth rocks or sand
- 14" Diameter x 17" Tall
- 7' Rope Length
- Folds up for easy storage in mesh bag
- Durable, heavy duty construction





MOLDED HANDLES & WELDED FOOTSTEPS

PONTOON SLIDE

NEW!

SIZE: 105" x 70" x 24"

Turn your pontoon boat into a water playground with the Pontoon Slide from O'Brien. The slide is manufactured from commercial-grade reinforced PVC material for years of trouble-free service. Molded handles and welded footsteps offer convenient, worry-free climbing. Slide includes heavy-duty anchor straps, sized to fit most pontoon boats. 200-lb. weight capacity.



FEATURES

- Reinforced PVC Construction
- Welded Footsteps for Easy Boarding
- Molded Handles
- Heavy-Duty Anchor Straps



PARTY LOUNGE

DEFLATED SIZE: 126" Diameter

MAX. RIDERS: Up to 8 Riders

Create the perfect social environment on the water. With room for eight and a cup holder for each person, the O'Brien 8 Person Party Lounge makes it easy to throw a floating party. Its comfortable seats, backrest, and armrests make the Party Lounge the perfect hangout spot for enjoying the water, the sun, and good company!

FEATURES

- 20 Gauge PVC
- 8 Cup Holders
- 4 Tie Off Points
- 1 Lightning Valve





WATER CARPETS

Make your time on the water even more memorable with the O'Brien Water Carpet. Whether you're running, jumping or just lounging in the sun, the Water Carpet provides countless hours of fun. With its soft, 3-ply polyethylene construction, this float is perfect for playing on and it never requires inflating. When you are all worn out from having too much fun, just roll it up and secure the Water Carpet with the included nylon straps for easy storage.

WATER CARPET: 18' x 6' x 1.25"

- Holds up to 6 people
- Includes one grommet with an attachment loop for securing the mat to an anchor bag or drift anchor
- Conveniently rolls up for storage after use
- 3 Layer foam
- Density: Firm/Soft/Firm
- One-year limited warranty
- Available in Green or Blue



SIDE VIEW

DELUXE WATER CARPET: 18' x 6' x 1.625"

- Holds up to 6 people
- Two grommets with attachment loops for securing the mat to anchor bags or drift anchors
- Conveniently rolls up for storage after use
- 4 Layer foam
- Fast drying
- Density: Soft/Firm/Soft/Firm
- One-year limited warranty



SIDE VIEW

4 Layers of foam for more buoyancy and a softer top layer for extra comfort! Whether you're running, jumping or lounging in the sun, the Deluxe Water Carpet provides countless hours of fun and is the perfect place to hang out with your friends and family.



WATER SADDLES

The O'Brien Water Saddle is the perfect companion for maximizing your fun in the water. Just straddle the durable, flexible foam float and enjoy your own personal floating seat. So relax your arms and legs as you float the day away! Just straddle the durable, flexible foam float and enjoy your own personal floating seat. So relax your arms and legs as you float the day away!

STANDARD SIZE: 21" x 16"

XL SIZE: 32" x 16"

FEATURES

- Designed for buoyancy, water fitness, aerobics
- 5 layers of durable, flexible foam
- Available in a variety of colors





SUPER NOODLE **NEW!**

Perfect for playing in the water and lounging around in the sun. This comfortable swim noodle is soft on the skin and it won't crack, peel, or flake.

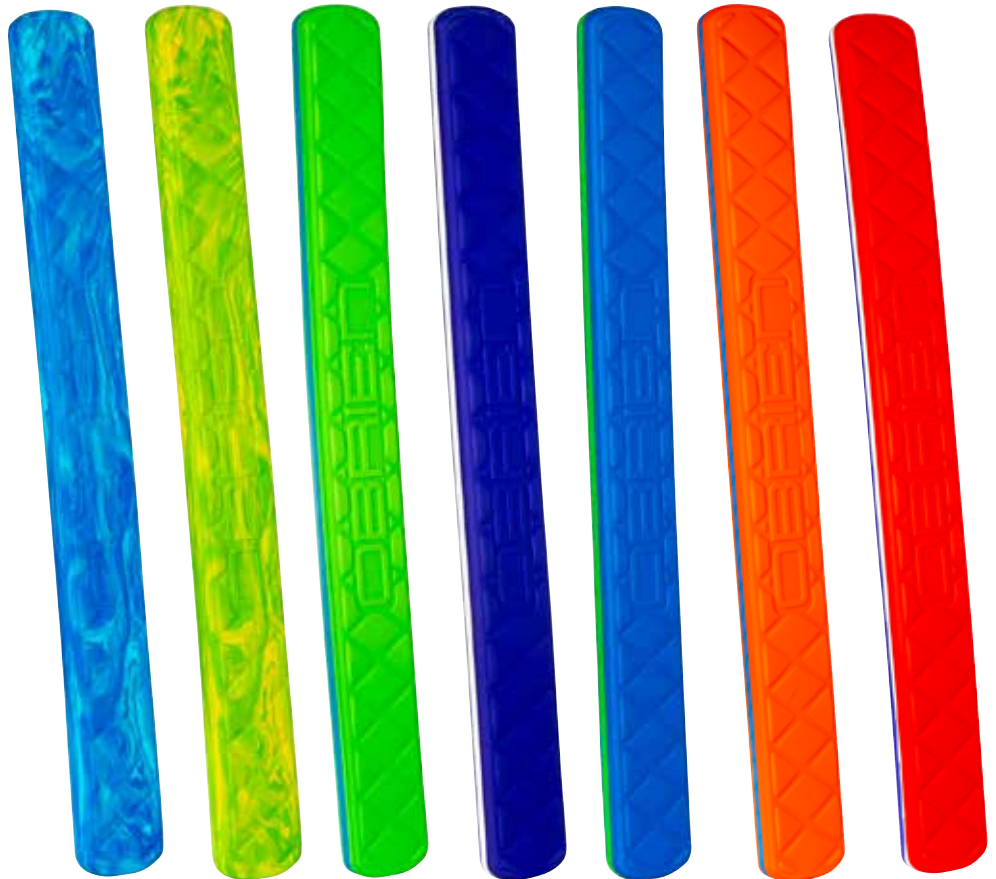
SIZE: 44" x 5"

FEATURES

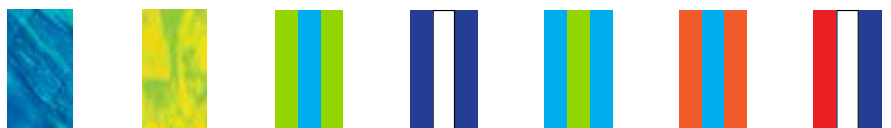
- Soft and Comfortable
- Use as a Float or Cushion
- Won't Crack or Peel

AVAILABLE COLORS:

- Blue Swirl
- Lime Swirl
- Green/Blue/Green
- Blue/Green/Blue
- Orange/Blue/Orange
- Red/White/Blue
- Blue/White/Blue
- Mixed Pack (3 GBG, 3 BGB, 2 RWB, 2 OBO, 2 BWB)



SIDE VIEWS





SUPER SADDLE

The Super Saddle is your own personal floating foam seat. Its non-abrasive, closed cell foam construction is soft on the skin and it won't crack, peel, or flake like vinyl dipped items.

STANDARD: 31.5" x 15.5"
XL SADDLE: 36" x 18"

FEATURES

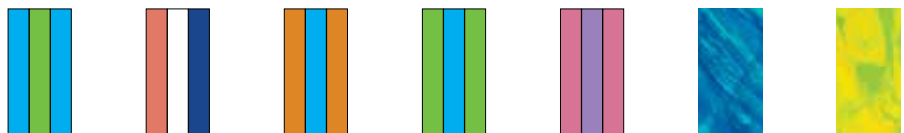
- Soft and Comfortable
- Use as a Float or Cushion
- Won't Crack or Peel

AVAILABLE COLORS:

- Blue Swirl
- Lime Swirl
- Green/Blue/Green
- Blue/Green/Blue
- Orange/Blue/Orange
- Pink/White/Blue
- Pink/Purple/Pink



SIDE VIEWS





MEN'S VEO

VEST TECH



HARMONIZED

U.S. Coast Guard/Transport Canada Approved



BIOLITE TECHNOLOGY

Unleashes the power of a lighter weight fabric that is both eco-friendly and extremely comfortable.



PWC RING

Safety D-ring for attaching an emergency cord



Safety D-ring for attaching an emergency cord to your PWC



Strong buckles & YKK zipper

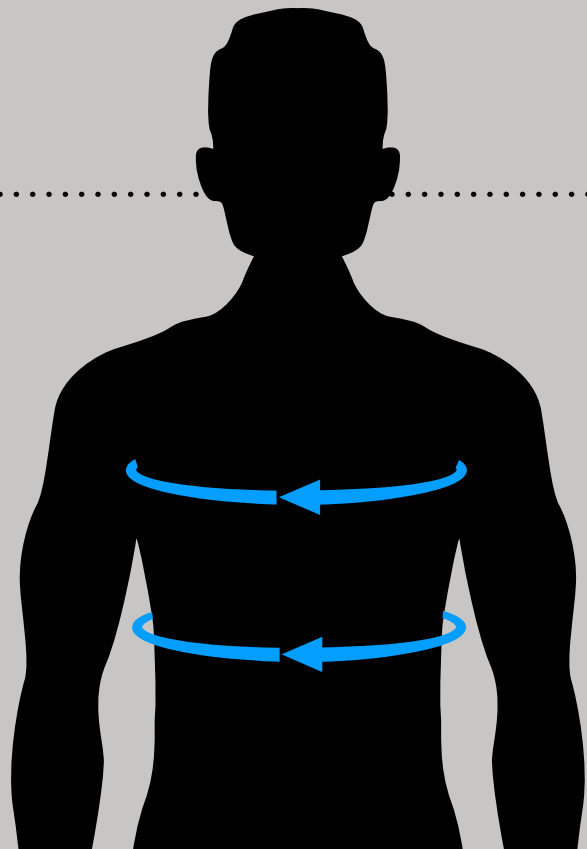
ADULT BIOLITE SIZING

| SIZE | CHEST SIZE |
|---------|------------|
| JUNIOR | 28" - 32" |
| XS | 28" - 32" |
| SM | 32" - 36" |
| M | 36" - 40" |
| L | 40" - 44" |
| XL | 44" - 48" |
| 2XL | 48" - 52" |
| 3XL | 52" - 56" |
| TALL | 56" - 60" |
| 5X TALL | 60" - 66" |

FIND THE PERFECT FIT

1. Starting under your arms, wrap a soft measuring tape around your body.
2. Measure around the **FULLEST PART OF YOUR TORSO** (chest or waist).
3. Apply your largest torso measurement to the size chart for an accurate fit.

When choosing a life jacket, follow the manufacturer's sizing recommendations. It should be snug, like a glove, yet flexible enough to go through multiple motions for your particular water activity.



MEN'S RECON



FEATURES

- Long torso
- Split back panel for a more accommodating fit
- Biolite outer front panels for comfortable fit
- Zip closure and 2 concealed, adjustable belts for security
- Multiple hinge points for maneuverability
- PWC ring
- U.S. Coast Guard/Transport Canada Approved

SIZES: SM / M / LG / XL / 2XL

Available in Navy or Black

** Recon life jacket runs large. O'Brien recommends you go down one size.*



MEN'S AVIATOR

NEW!

LIFE JACKETS 



FEATURES

- Chest/Shoulder Flex Panels and Smooth Side Panels
- Tapered waist for Accommodating Feel
- Oversized Arm Openings for Superior Mobility
- Double split back panel for a more accommodating fit
- Biolite outer front panels for comfortable fit
- Zip closure and 2 concealed, adjustable belts for security
- Multiple hinge points for maneuverability
- PWC ring
- U.S. Coast Guard/Transport Canada Approved

SIZES: SM / M / LG / XL / 2XL

Aviator life jacket runs large. O'Brien recommends you go down one size.



MEN'S FLEX V-BACK



BLUE



RED



LIME



ORANGE



CYAN



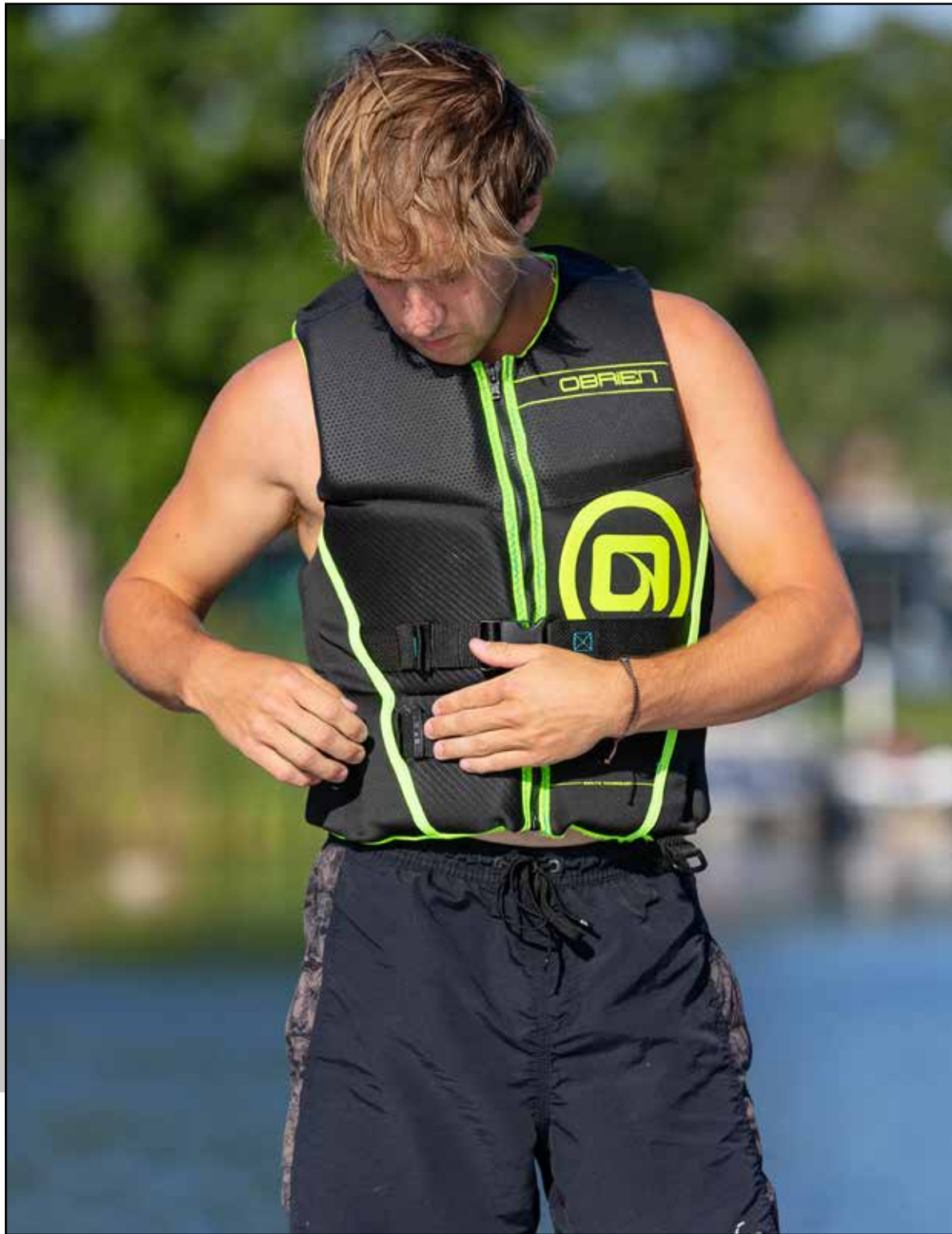
BACK

FEATURES

- Split V-Back stretch panel for a more accommodating fit
- Soft, lightweight, breathable and eco-friendly material
- Zip closure and 2 concealed, adjustable belts for security
- Multiple front and side hinges
- U.S. Coast Guard Approved

SIZES: SM / M / LG / XL / 2XL





MEN'S TRADITIONAL RS



CYAN



BLACK



RED



YELLOW



BLUE



FEATURES

- Soft, lightweight, breathable and eco-friendly
- Side wraps with hidden belts
- Zip closure and 2 concealed belts for security
- PWC ring
- Hinges for enhanced range of motion
- U.S. Coast Guard/Transport Canada Approved

SIZES: XS / SM / M / LG / XL / 2XL / 3XL (4XL / 5XL Tall -Black Only)





WOMEN'S NEO

WOMEN'S RECON



FEATURES

- Long torso
- Split back panel for a more accommodating fit
- Biolite outer front panels for comfortable fit
- Zip closure and 2 concealed, adjustable belts for security
- Multiple hinge points for maneuverability
- PWC ring
- U.S. Coast Guard/Transport Canada Approved

SIZES: XS / SM / M / LG / XL

WOMEN'S V-BACK



PINK





MINT



PURPLE



FEATURES

- Split V-Back stretch panel for a better fit
- Soft, lightweight, breathable and eco-friendly
- Multiple hinges for enhanced range of motion
- Zip closure and 2 concealed belts for security
- PWC ring
- U.S. Coast Guard/Transport Canada Approved

SIZES: XS / SM / M / LG / XL



WOMEN'S TRADITIONAL RS



AQUA



PINK



CORAL



PURPLE

FEATURES

- Soft, lightweight, breathable and eco-friendly
- Side wraps with hidden belts
- Zip closure and 2 concealed belts for security
- Front hinge for enhanced range of motion
- PWC ring
- U.S. Coast Guard/Transport Canada Approved

SIZES: XS / SM / M / LG / XL



WOMEN'S FOCUS



BACK

FEATURES

- Front hinge for enhanced range of motion
- Wide armholes
- Soft, lightweight, breathable and eco-friendly
- Zip closure and 2 concealed belts for security
- U.S. Coast Guard/Transport Canada Approved

SIZES: XS / SM / M / LG / XL





OBRIEN

KID'S NEO

JUNIOR V-BACK

NEW!



BACK



BACK

FEATURES

- Soft, lightweight, breathable and eco-friendly
- Multiple hinges for enhanced range of motion
- Wide armholes
- Zip closure and 2 concealed belts for security
- Available in Purple or Blue/Yellow
- U.S. Coast Guard Approved

WEIGHT RANGE: 77-125 lbs / Chest Size: 28"-32"



JUNIOR LIFE JACKET



FEATURES

- Soft, lightweight, breathable and eco-friendly
- Front hinge for enhanced range of motion
- Wide armholes
- Zip closure and 2 belts for security
- Available in Blue or Pink
- U.S. Coast Guard/Transport Canada Approved

WEIGHT RANGE: 77-125 lbs / Chest Size: 28"-32"



YOUTH V-BACK



FEATURES

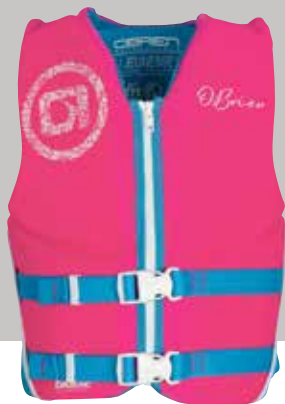
- Split V-Back stretch panel for a more accommodating fit and greater maneuverability
- Soft, lightweight, breathable and eco-friendly
- Zip closure and 2 concealed, adjustable belts for security
- Multiple front and side hinges

- Available in Aqua or Yellow
- U.S. Coast Guard/Transport Canada Approved

SIZE: Youth Large 64-88 lbs, Youth Small 55-75 lbs



TRADITIONAL YOUTH



FEATURES

- Zip closure and 2 concealed, adjustable belts for security
- Soft, lightweight, breathable and eco-friendly
- Front hinge and wide armholes for enhanced range of motion
- Available in Blue or Pink
- U.S. Coast Guard/Transport Canada Approved

WEIGHT RANGE: 55-88 lbs



CHILD FLEX V-BACK



FEATURES

- Split V-Back stretch panel for a more accommodating fit and greater maneuverability
- Soft, lightweight, breathable and eco-friendly
- Zip closure, 2 belts and leg loop strap for security
- Grab strap for added safety

- Multiple front and side hinges
- Available in Blue or Pink
- U.S. Coast Guard/Transport Canada Approved

WEIGHT RANGE: 33-55 lbs



TRADITIONAL CHILD



FEATURES

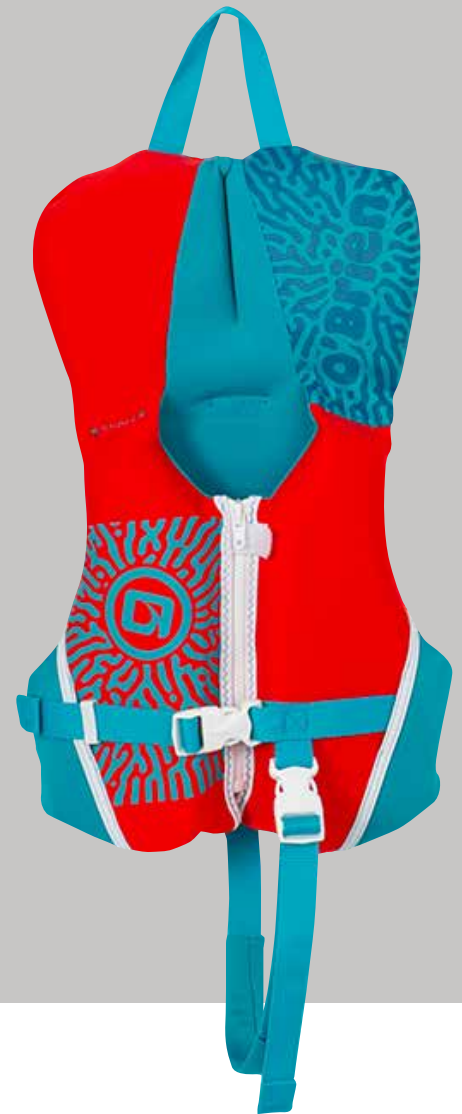
- Zip closure and 2 concealed, adjustable belts for security
- Adjustable leg loop strap for added security
- Soft, lightweight, breathable and eco-friendly
- Wide armholes for comfort
- Grab strap for added safety

- Available in Blue or Pink
- U.S. Coast Guard/Transport Canada Approved

WEIGHT RANGE: 33-55 lbs



INFANT NEO



FEATURES

- Zip closure, 1 adjustable belt
- Adjustable leg loop strap for added security
- Soft, lightweight, breathable and eco-friendly
- Wide armholes for comfort
- Collar with grab strap for safety
- Available in Green or Pink
- U.S. Coast Guard/Transport Canada Approved

- Available in Green or Pink
- U.S. Coast Guard/Transport Canada Approved

WEIGHT RANGE: Less than 30 lbs





ADULT NYLON SIZING

| PRO SIZES | CHEST SIZE | SPORT SIZES | CHEST SIZE |
|-----------|------------|-------------|------------|
| XS | 28" - 32" | ADULT S/M | 32" - 40" |
| S | 32" - 36" | ADULT L/XL | 40" - 52" |
| M | 36" - 40" | SUPER | 50" - 60" |
| L | 40" - 44" | 2X SUPER | 60" - 70" |
| XL | 44" - 48" | | |
| 2XL | 48" - 52" | | |
| 3XL | 52" - 56" | | |
| 4XL | 56" - 62" | | |
| 5XL | 62" - 68" | | |

KIDS NYLON SIZING

| SIZES | WEIGHT RANGE | CHEST SIZE |
|-----------------|---------------|------------|
| INFANT | UP TO 30 lbs | |
| CHILD | 33 - 55 lbs | |
| CHILD w/ COLLAR | 30 - 50 lbs | |
| YOUTH | 55 - 88 lbs | 25" - 29" |
| YOUTH w/ COLLAR | 50 - 90 lbs | |
| TEEN | 90 lbs and up | 28" - 32" |

MEN'S 4 BELT PRO



FEATURES

- Soft, flexible foam core for extra comfort
- Sturdy nylon exterior for durability
- 4 buckles for security and excellent fit
- Big armholes allow a wide range of motion
- Designed for a more precise fit

- PWC ring
- U.S. Coast Guard Approved

SIZES: XS / SM / M / LG / XL / 2XL / 3XL / 4XL / 5XL

MEN'S 4 BELT ADJ. SPORT



FEATURES

- Soft, flexible foam core
- Fits a broader size range for easy sharing
- Sturdy nylon exterior for durability
- 4 buckles for a security and excellent fit
- Big armholes allow a wide range of motion

- PWC ring
- U.S. Coast Guard/Transport Canada Approved

SIZES: XS / SM/M / LG/XL / SUPER / 2X SUPER

WOMEN'S 3 BELT PRO



FEATURES

- Soft, flexible foam core for extra comfort
- Sturdy nylon exterior for durability
- 3 buckles for security and excellent fit
- Big armholes allow a wide range of motion
- Designed for a more precise fit
- PWC ring
- U.S. Coast Guard/Transport Canada Approved

SIZES: XS / SM / M / LG



WOMEN'S 3 BELT ADJ. SPORT



FEATURES

- Soft, flexible foam core for extra comfort
- Fits a broader size range for easy sharing
- Sturdy nylon exterior for durability
- 3 buckles for security and excellent fit
- Big armholes allow a wide range of motion
- PWC ring
- U.S. Coast Guard/Transport Canada Approved

SIZES: XS / SM-M



TEEN NYLON



FEATURES

- Fits chest sizes 28" - 32"
- Soft, flexible foam core
- Three belts for security
- 200D nylon exterior
- PWC ring
- U.S. Coast Guard approved

- Weight Range: 90 lbs and up
- Available in Lime or Purple



YOUTH NYLON



FEATURES

- Soft, flexible foam core
- Reflective shoulder strip
- Three belts for security
- 150D polyester exterior
- U.S. Coast Guard/Transport Canada approved

- Weight Range: 55 - 88 lbs
- Available in Green or Pink



YOUTH NYLON w/ COLLAR



FEATURES

- Collar with grab strap for safety
- Reflective shoulder strip
- Three belts for security
- 150D polyester exterior
- Type II U.S. Coast Guard approved

- Weight Range: 50 - 90 lbs
- Available in Green or Pink

CHILD NYLON



FEATURES

- Soft, flexible foam core
- Reflective shoulder strip
- Three belts for security
- Leg loop strap with buckle
- 150D polyester exterior
- U.S. Coast Guard/Transport Canada approved

- Weight Range: 33 - 55 lbs
- Available in Green or Pink



CHILD NYLON w/ COLLAR



FEATURES

- Collar with grab strap for safety
- Reflective shoulder strip
- Three belts for security
- Leg loop strap with buckle
- 150D polyester exterior
- Type II U.S. Coast Guard approved

- **Weight Range: Children 30 -50 lbs**
- **Available in Green or Pink**

INFANT NYLON



FEATURES

- Collar with grab strap for safety
- Reflective shoulder strip
- Zip closure with one belt for security
- Leg loop strap with buckle
- 150D polyester exterior
- Type II U.S. Coast Guard approved

- **Weight Range: Less than 30 lbs**
- **Available in Green or Pink**

WATER BUG



FEATURES

- Soft polyester outer fabric
- Provides great stability in the water
- Free range of motion
- Adjustable buckle closure in the back
- U.S. Coast Guard/Transport Canada approved

- **Weight Range: Children 33 -55 lbs**
- **Available in Yellow, Purple or Owl**



BABY SAFE



FEATURES

- Soft polyester outer fabric
- Adjustable buckle closures
- Type II U.S. Coast Guard Approved
- **WEIGHT RANGE:** Less than 30 lbs
- Available in Pink or Yellow

PET VEST



Does your dog love being on the water as much as you do? Keep them safe with the O'Brien Pet Vest. Designed for dogs of all shapes and sizes, this vest features one neck buckle and two adjustable ladder locks to fit securely around your furry friend while they are playing in the water. This vest also includes a strong nylon handle on the back to make for easy water retrieval. Check out the size chart to see which Pet Vest will suit your dog's needs.

FEATURES

- Top zip closure for easy entry
- Reflective nylon grab handle
- Leash attachment ring
- 1 Neck buckle
- 2 adjustable ladder locks

| SIZE | WEIGHT | NECK | CHEST | WAIST |
|------|----------------|-----------|-----------|-----------|
| XS | 8 - 15 lbs. | 10" - 13" | 18" - 24" | 14" - 20" |
| S | 15 - 30 lbs. | 12" - 16" | 22" - 28" | 18" - 24" |
| M | 30 - 60 lbs. | 15" - 19" | 26" - 32" | 22" - 28" |
| L | 60 - 80 lbs. | 18" - 22" | 30" - 38" | 26" - 32" |
| XL | 80 lbs. & over | 18" - 24" | 30" - 42" | 26" - 36" |

UNIVERSAL 4-PACK



FEATURES

- 4 Adult Universal life jackets (chest size 30" - 52")
- Vented storage case
- 3 Sturdy belts with slide-release buckles
- Open sides accommodates a large size range
- U.S. Coast Guard/Transport Canada Approved
- Available in Blue, Green or Red



AQUATIC ACTIVITY BELT



FEATURES

- Designed for Buoyancy, Water Fitness, Aerobics
- Adjustable to fit multiple sizes
- Strong Nylon belt
- Soft, easy to clean Vinyl coating
- Wide design for more support
- Bulk-free to allow freedom of movement
- Kwik-snap buckles for easy on/off
- Available in Yellow (Hydroslide) or Green (O'Brien)
- **Not a U.S. Coast Guard Approved device**

SIZES: S (20"-26"), M (26"-32"), L (32"-38"), XL (38"-44")

TYPE II 4-PACK



FEATURES

- Basic Type II Coast Guard Approved vests are great to have at the lake
- Provides flotation and safety
- Comes in a 4-pack
- Basic Type II USCG Approved Vests
- Clear, vented storage bag



THROW CUSHION



FEATURES

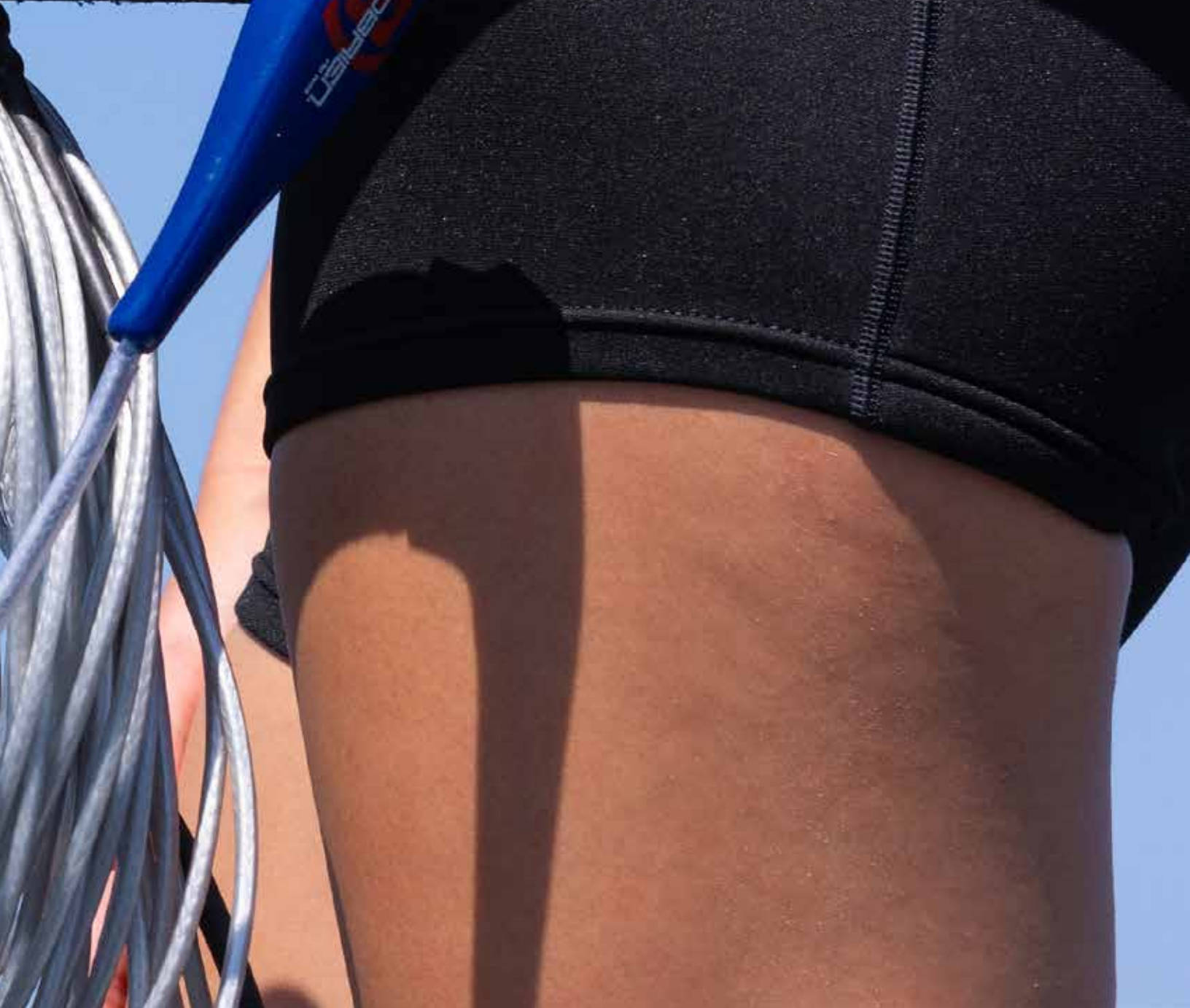
- Add comfortable seating and safety to boat
- Straps for carrying and throwing
- U.S. Coast Guard Approved Type IV
- Available in Yellow, Blue or Red



RODES &



HANDLES



PRO WAKE w/ SILICONE LINE

- **Line Length:** 60' to 85' (Including handle)
- **Diamond Stitched 30 mm round microfiber suede grip:** Soft and tacky when wet
- **16" wide T6-6061 aluminum core frame:** Precision extruded for high strength and low weight
- **Roll-Stop End Caps:** Reduces handle roll and enhances control
- **Silicone Line:** Zero stretch, floating spectra line coated in smooth silicone
- **Adjustable line lengths (Including handle):** Adjusts to any length between 60' and 85' in 2-1/2' increments
- **Interchangeable Handle Section:** Easily reconfigure to add a wrapped handle (T-Bar section sold separately)



COMP WAKE w/ SILICONE LINE

- **Line Length:** 55' to 80' (Including handle)
- **30 mm round microfiber suede grip:** Soft and tacky when wet
- **15" wide T6-6061 aluminum core frame:** Precision extruded for high strength and low weight
- **Roll-Stop End Caps:** Reduces handle roll and enhances control
- **Silicone Line:** Zero stretch, spectra line coated in smooth silicone; unrivaled performance in a floating line
- **Adjustable line lengths (Including handle):** Adjusts to any length between 55' and 80' in 2-1/2' increments
- **Interchangeable Handle Section:** Easily reconfigure to add a wrapped handle (T-Bar section sold separately)



SMALL DIAMETER COMP HANDLE w/ SILICONE LINE

- **Line Length:** 55' to 80' (Including handle)
- **25.5 mm round microfiber suede grip:** Soft and tacky when wet
- **15" wide T6-6061 aluminum core frame:** Precision extruded for high strength and low weight
- **Roll-Stop End Caps:** Reduces handle roll and enhances control
- **Silicone Line:** Zero stretch, floating spectra line coated in smooth silicone
- **Adjustable line lengths (Including handle):** Adjusts to any length between 55' and 80' in 2-1/2' increments
- **Interchangeable Handle Section:** Easily reconfigure to add a wrapped handle (T-Bar section sold separately)



TEAM HANDLE w/ SILICONE LINE

- **Line Length:** 55' to 80' (Including handle)
- **Sublimated Padded Polyester Grip:** Probably the most comfortable grip in our line.
- **15" wide T6-6061 aluminum core frame:** Precision extruded for high strength and low weight
- **Roll-Stop End Caps:** Reduces handle roll and enhances control
- **Silicone Line:** Zero stretch, spectra line coated in smooth silicone
- **Adjustable line lengths (Including handle):** Adjusts to any length between 55' and 80' in 2-1/2' increments
- **Interchangeable Handle Section:** Easily reconfigure to add a wrapped handle (T-Bar section sold separately)



FUSION HANDLE w/ DYNEEMA LINE

- **Line Length:** 40' to 65' (Including handle)
- **Sublimated Padded Polyester Grip:** Probably the most comfortable grip in our line.
- **15" wide T6-6061 aluminum core frame:** Precision extruded for high strength, low weight
- **Roll-Stop End Caps:** Reduces handle roll and enhances control
- **Main line:** Zero stretch, Coated Dyneema
- **Adjustable line lengths (Including handle):** Adjusts to any length between 40' and 65' in 2-1/2' increments



METHOD HANDLE w/ SPECTRA LINE

- **Line Length:** 50' to 75' (Including handle)
- **Sublimated Padded Polyester Grip:** Probably the most comfortable grip in our line.
- **15" wide T6-6061 aluminum core frame:** Precision extruded for high strength, low weight
- **Roll-Stop End Caps:** Reduces handle roll and enhances control
- **Spectra line:** Non-stretch spectra line; lightweight and high performance
- **Adjustable line lengths (Including handle):** Adjusts to any length between 50' and 75' in 2-1/2' increments



4-SECTION POLY-E WAKE COMBO

Great first wake rope for wakeboarding!

- **Line Length:** 50' to 70' (Including handle)
- **Brick design EVA grip:** Tacky and easy to hold 15" floating handle
- **15" wide T6-6061 aluminum core frame:** Precision extruded for high strength, low weight
- **Roll-Stop End Caps:** Reduces handle roll and enhances control
- **Poly-E mainline:** Low-stretch 12 strand
- **Adjustable line lengths (Including handle):** 50', 55', 60', 65', 70'
- **Available colors:** Gray, Red or Blue



T-BAR

- **Comfortable rubber grip**
- **PE Zero Stretch Jacketed Spectra**
- **Reversible section:** Allows the T-bar to sit at 28" or 30"

**Cannot be added to the Method handle or Poly-E*



KNEEBOARD ROPE

Designed for use with Aqua-Hook and Hydro-Hook equipped kneeboards

Line Length: 55' or 70' (Including handle)

- **Aqua-Hook Bar:** The smaller bar forward of the grip allows the handle to be easily hooked on the board while keeping the main part of the handle closer to the rider.
- **Brick Design EVA Grip:** Tacky and easy to hold floating handle
- **15" wide T6-6061 aluminum core frame:** Precision extruded for high strength, low weight
- **Roll-Stop End Caps:** Reduces handle roll and enhances control
- **Line:** 12-strand, 40 filament PE rope





10" PRO SURF ROPE

- **Line Length:** 13' to 25' (Including handle)
- **Diamond Stitched 30 mm round microfiber suede grip:** Soft and tacky when wet
- **10" wide T6-6061 aluminum core frame:** Precision extruded for high strength, low weight
- **Roll-Stop End Caps:** Reduces handle roll and enhances control
- **EVA floats:** 3 EVA floats on mainline
- **Poly-E mainline:** Low-stretch 16 strand
- **25' total length:** 13' mainline (including handle), (2) standard 4' removable sections and (1) 4' multi-loop section for fine tuning rope length
- **Available colors:** Red or Blue



9" PRO SURF ROPE

- **Line Length:** 13' to 25' (Including handle)
- **Sublimated Padded Polyester Grip:** Polyester outer with EVA padding underneath for optimum comfort
- **9" wide T6-6061 aluminum core frame:** Precision extruded for high strength, low weight
- **Roll-Stop End Caps:** Reduces handle roll and enhances control
- **EVA floats:** 3 EVA floats on mainline
- **Poly-E mainline:** Low-stretch 16 strand
- **25' total length:** 13' mainline (including handle), two standard 4' removable sections and one 4' multi-loop section for fine tuning rope length
- **Available colors:** Rasta or Aqua



PRO HANDLE w/ 10-SECTION MAINLINE

- **Line Length:** 30' to 75' (Including handle)
- **USA Waterski approved Pro Waterski handle:** 13" wide x 1.08" diameter 1/4" Polypro bridle
- **Ultimate rubber grip:** Extreme durability and grip
- **T6-6061 aluminum core frame:** Precision extruded for high strength, low weight
- **Roll-Stop End Caps:** Reduces handle roll and enhances control
- **4-rope construction:** Provides extremely durable braid
- **USA Waterski sanctioned mainline:** 10-section 75' Pro Waterski mainline
- **Poly-E mainline:** Low-stretch 12 strand
- **Color coded detachable sections:** For easy identification when shortening line lengths



8-SECTION SKI COMBO

Value-priced hardcore ski rope

- **Line Length:** 35' to 75' (Including handle)
- **1.08" diameter ultimate rubber grip:** Extreme durability and grip
- **12" wide T6-6061 aluminum core frame:** Precision extruded for high strength, low weight
- **Molded PVC end caps:** Soft, flexible, lightweight and durable
- **Line:** Top quality 12-strand, 40 filament PE rope
- **Adjustable line lengths (Including handle):** 35', 37', 40', 43', 47', 53', 60', 75'



5-SECTION COMBO

Perfect do-it-all rope with lots of versatility

- **Line Length:** 43' to 75' (Including handle)
- **1.08" diameter ultimate rubber grip:** Extreme durability and grip
- **12" wide T6-6061 aluminum core frame:** Precision extruded for high strength, low weight
- **Molded PVC end caps:** Soft, flexible, lightweight and durable
- **Line:** 12-strand, 40 filament PE rope
- **Adjustable line lengths (Including handle):** 43', 47', 53', 60', 75'



2-SECTION COMBO

Great all-purpose rope for those getting into water sports

- **Line Length:** 47' or 75' (Including handle)
- **Brick Design EVA Grip:** Tacky and easy to hold floating handle
- **12" wide T6-6061 aluminum core frame:** Precision extruded for high strength, low weight
- **Molded PVC end caps:** Soft, flexible, lightweight and durable
- **Line:** Low stretch 12-strand, 40 filament PE rope



2-SECTION FLOATING COMBO

Great all-purpose floating rope for those getting into water sports

Line Length: 47' or 75' (Including handle)

- **Brick Design EVA Grip:** Tacky and easy to hold floating handle
- **12" wide T6-6061 aluminum core frame:** Precision extruded for high strength, low weight
- **Molded PVC end caps:** Soft, flexible, light weight and durable
- **Poly-E mainline:** Low-stretch 12 strand, 40 filament PE rope



1-SECTION DEEP-V COMBO

Perfect rope for anyone learning deep-water slalom starts. Place ski in the DEEP-V bridle section and let it keep the ski straight

- **Line Length:** 75' (Including handle)
- **12" wide aluminum-core handle:** Brick design EVA grip on a 5' detachable bridle section
- **Deep-V Bridle:** Vinyl coated to protect the rope, this bridle also features a crossbar to help keep the ski tip in position for easy deep water starts
- **Poly-E mainline:** Low-stretch 12 strand



1-SECTION FLOATING DEEP-V COMBO

Perfect floating rope for anyone learning deep-water slalom starts. Place ski in the DEEP-V bridle section and let it keep the ski straight

Line Length: 75' (Including handle)

- **Aluminum-core handle:** 12" wide EVA grip on a 5' detachable bridle section
- **Deep-V Bridle:** Vinyl coated to protect the rope, this bridle also features a crossbar to help keep the ski tip in position for easy deep water starts
- **Poly-E mainline:** Low-stretch 12 strand, 40 filament PE rope
- **Line Length:** 75' (Including handle)



1-SECTION COMBO

A great option for those that don't need to change line lengths

- **Line Length:** 75' (Including handle)
- **Brick Design EVA Grip:** Tacky and easy to hold floating handle
- **12" wide T6-6061 aluminum core frame:** Precision extruded for high strength, low weight
- **Molded PVC end caps:** Soft, flexible, lightweight and durable
- **Line:** Low stretch 12-strand, 40 filament PE rope
- **Available colors:** Silver or Blue



1-SECTION FLOATING COMBO

Simple, good quality ski rope. Designed to float and remain visible on the surface.

Line Length: 75' (Including handle)

- **Brick Design EVA Grip:** Tacky and easy to hold floating handle
- **12" wide T6-6061 aluminum core frame:** Precision extruded for high strength, low weight
- **Molded PVC end caps:** Soft, flexible, light weight and durable
- **Line:** 12-strand, 40 filament PE rope



PONTOON BRIDLE

Rope attachment tool for boats without a ski pylon or tower. Helps achieve a consistent, balanced pull from the boat

- **High-impact plastic pulley system:** Easily attaches to the ski rope
- **Snap hooks:** Quickly attach to existing boat hardware
- **Max. Pulling weight:** 1,800 lbs
- **Available sizes:** 12' or 16' size for pontoon boats



8' SKI TOW HARNESS

Rope attachment tool for boats without a tow pylon, center towing hook or tower (Older I/O's, outboards and pontoon boats).

Connect mainline to a centered snap hook to give the rider an equal pull behind the boat

- **Width:** 8' wide
- **Snap hooks:** Two high-strength snap hooks
- **Vinyl float:** Helps keep the rope out of the propeller
- **Line:** 12 strand, 84 filament polypropylene rope



8' FLOATING SKI TOW HARNESS

Rope attachment tool for boats without a ski pylon or tower. Helps achieve a consistent, balanced pull from the boat

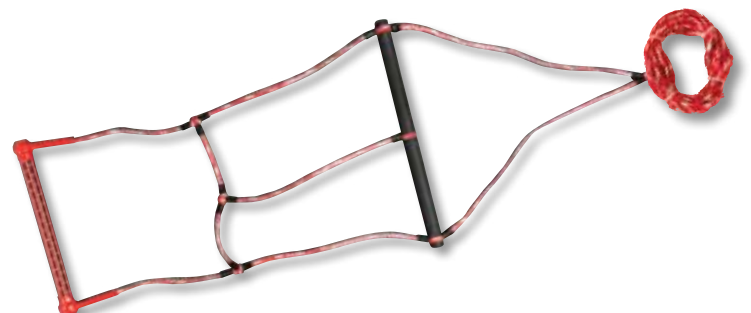
- **Width:** 8' wide
- **Snap hooks:** Two high-strength snap hooks quickly attach to boat hardware
- **Floating foam core:** Helps keep the rope out of the propeller
- **Line:** 12 strand, 84 filament polypropylene rope



COMBO TRAINER ROPE

Perfect tool for teaching adults and kids to get up on combo skis

- **Trainer handle with crossbar:** Keeps both skis parallel while being pulled out of the water. Handle slides off skis as soon as the skier is up and riding
- **Vinyl coated bridle:** Protects the rope from ski abrasion
- **Line:** 12-strand, 40 filament PE rope



2-PERSON TUBE ROPE

Perfect tube rope for 1 or 2 person tubes

Rope Length: 60'

- Max. total rider weight: 340 lbs or 2 riders
- Average break strength: 2,375 lbs
- Available colors: Cyan or Yellow

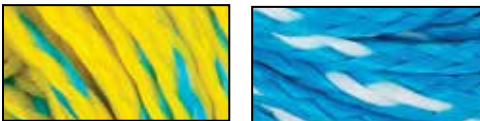


4-PERSON TUBE ROPE

Our most popular tube rope

Rope Length: 60'

- Max. total rider weight: 680 lbs or 4 riders
- Average break strength: 4,100 lbs
- Available colors: Cyan or Yellow



6-PERSON TUBE ROPE

Perfect rope for the big tubes

Rope Length: 60'

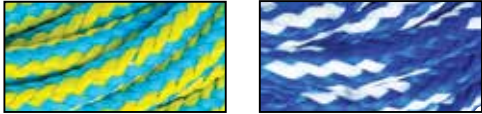
- Max. total rider weight: 1,020 lbs or 6 riders
- Average break strength: 6,100 lbs
- Available colors: Cyan or Yellow



2-PERSON FLOATING TUBE ROPE

Floating tube rope for 1 or 2 person tubes

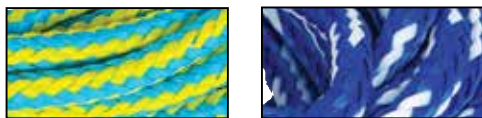
- Rope length: 60'
- Max. total rider weight: 340 lbs or 2 riders
- Average break strength: 2,375 lbs
- Available colors: Yellow or Blue



4-PERSON FLOATING TUBE ROPE

Our most popular floating tube rope

- Rope length: 60'
- Max. total rider weight: 680 lbs or 4 riders
- Average break strength: 4,100 lbs
- Available colors: Yellow or Blue



6-PERSON FLOATING TUBE ROPE

Perfect floating rope for the big tubes

- Rope length: 60'
- Max. total rider weight: 1,020 lbs or 6 riders
- Average break strength: 6,100 lbs





PADDED WAKEBOARD BAG

A padded case for your wakeboard to keep it safe and looking new. Full length zipper and shoulder strap for easy carrying.



HYDROSLIDE KNEEBOARD BAG

Keep your kneeboard protected and safe from the sun.



WAKESURFER SOCK

Soft, terry cloth bag keeps your Wakesurfer safe.
• Length: 5'



KNEEBOARD BAG

Keep your board protected in this heavy duty polyester bag. Full length zipper makes for easy entry and inside straps hold that board right where you want it.



SLALOM BAG

Contoured and adjustable to fit your slalom ski.
• Size: Fits up to a 69" ski.



COMBO BAG

Convenient, fully vented bag makes for an easy trip to and from the boat.

APPAREL



REVOLT TEE



SPLIT TEE



PALM TEE



GEAR TEE



FACET TEE



BOLT YOUTH TEE



ZIP HOODIE



QUAKER BACKPACK

- Felt lined sunglasses pocket
- Shock absorbing shoulder straps
- Felt lined computer side pocket
- Fits most 17" wide screens
- Felt lined ipad sleeve

AT THE MAN CAVE...



UNBREAKABLE SILLI CUP

Available in Purple or Black

STADIUM CUP



COOZIE

Available in Green or Blue



KEY CHAIN



BOTTLE OPENER



BENCH KIT

(BOARDS NOT INCLUDED)



OVAL METAL SIGN

17"x7" Embossed metal



OLD SCHOOL METAL SIGN

17"x16" Embossed metal



COUNTER MAT

16"x16"



BAR MAT

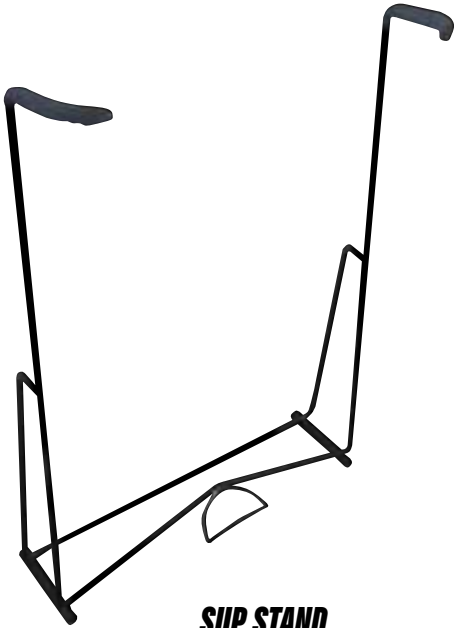
14"x3"



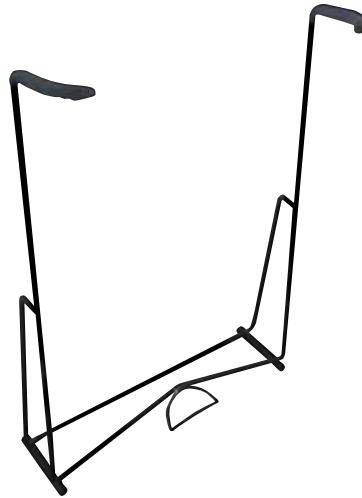
STICKER PACK

(Available in 8 Piece assorted pack or 10 piece pack of individual decals)

AT THE SHOP...



SUP STAND



**WAKEBOARD /
WAKESURFER STAND**



BOARD / SKI RACK



FEATHER FLAG

- 15' Tall
- Carrying case



OPEN/CLOSED SIGN



5' x 3' BANNER



10' x 3' BANNER





MARGARTAVILLE **INFLATABLE SUP** #2194016



The Margaritaville Inflatable SUP package comes complete with everything you'd need for your next adventure on the water. Its well-balanced shape provides a smooth, stable ride that everyone can enjoy.

MARGARITAVILLE 10'6"

| | |
|---------------|-----------------------|
| LENGTH | 320.04cm / 126" |
| WIDTH | 81.2cm / 32" |
| VOLUME | 270.6 Liters |
| FIN | Removable 9" ISUP Fin |



MARGARTAVILLE *SIT AND SIP*

#2183238 (Red-Parrot Print) #2193239 (Blue/Yellow Palm)

The Margaritaville Sit and Sip might be the perfect inflatable water chair. The Sit and Sip has a comfortable back and arm rests, an inflatable hammock-style seat, and most importantly access to a cup holder for keeping your favorite beverage close by.

- 51" X 36"
- 2 Sides Each With Cup Holder
- Heavy Gauge Construction
- 3-Way Valve For Quick Inflation
- Designed For One Person
- Available In Red or Blue



MARGARTAVILLE **PARROT LOUNGER** #2193272

Not too big, not too small, the Parrot Lounger was built for fun in the sun. Hop on its back and take it for a ride around the pool.

- 44" X 42" X 25" Inflated
- 3-Way Valve



MARGARTAVILLE **PET VEST**

Does your dog treat the water as his own slice of paradise? Keep them safe with the Margaritaville Pet Vest. Designed for dogs of all shapes and sizes, this vest features multiple adjustments to fit securely around your furry friend. The streamlined vest puts just the right amount of flotation in the perfect spot to help with buoyancy and not hinder mobility. Your dog will love it!

- Maintains mobility and provide buoyancy
- Top zip closure for easy entry
- Secure fit with adjustable buckles
- Nylon handle with reflective material
- Leash attachment ring



| SIZE | WEIGHT | NECK | CHEST | WAIST | PART # |
|------|--------------|-----------|-----------|-----------|----------|
| XS | 8 - 15 lbs. | 10" - 13" | 18" - 24" | 14" - 20" | #2192780 |
| S | 15 - 30 lbs. | 12" - 16" | 22" - 28" | 18" - 24" | #2192781 |
| M | 30 - 60 lbs. | 15" - 19" | 26" - 32" | 22" - 28" | #2192782 |
| L | 60 - 80 lbs. | 18" - 22" | 30" - 38" | 26" - 32" | #2192783 |
| XL | Over 80 lbs. | 18" - 24" | 30" - 42" | 26" - 36" | #2192784 |



MARGARITAVILLE **WATER BUG** #2213236

The Margaritaville Water Bug brings a beachy vibe to donut style pool floats. Perfect for hot, sunny days at the pool, playtime at the lake, or for slowly drifting down a river, the Margaritaville Water Bug pool float is a sure bet for a good time.

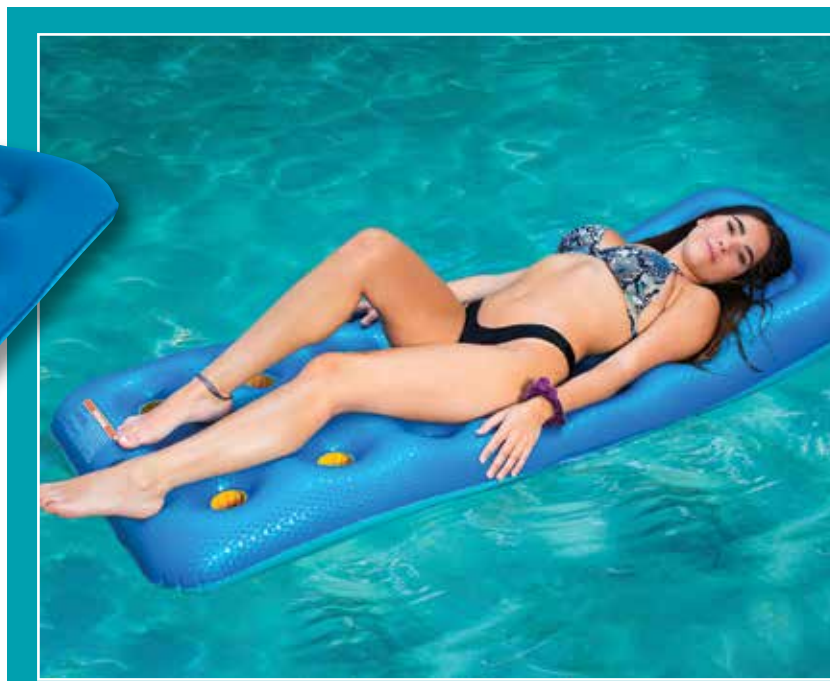
- 47" Diameter
- Heavy Gauge Construction
- Designed For One Person



MARGARITAVILLE **18 POCKET FLOAT** #2213242

The Margaritaville 18 Pocket Pool Float not only looks great with its beach-style vibe, but is perfect for laying and soaking up the sun. This float doubles as the life of the party with its 18 pockets, which, surprisingly enough, could also be used as drink holders. Bring more fun to your swimming pool with the 18 Pocket Float.

- 74" x 28"
- Heavy Gauge Construction
- 3-Way Valve For Quick Inflation
- Designed For One Person



LANDSHARK **INFLATABLE SUP** #2211221



LENGTH 10'6" / 320.04cm
WIDTH 76.2cm / 30"
FIN 9" SUP fin

*Max. Recommended Weight 350 lbs

- Dropstitch Construction
- Paddle
- Storage Backpack
- Dual Action Pump



LANDSHARK FLOAT 'N' GO #2193348

Bring the party to the water with the LandShark Float N' Go drink and snack holder! Featuring five drink holders, a snack tray and a removable cooler that keeps up to 12 beverage cans cold. This float also features a connection grommet for easy attachment to docks or other LandShark products, so you won't have to worry about your party island floating away.

- 5 Built-In Drink Holders
- Snack Tray
- Removable 20 Quart Insulated Drink Tote



LANDSHARK SHARK #2203353

The ultimate shark for your pool! With two handles on his back, hop on and take this shark for a ride!

- Size: 67" x 40" x 14"
- Ride On A Shark
- 2 Heavy Duty Handles
- 3-Way Valve





LANDSHARK **PONG RAFT** #2193346

Bring your "Pong" game to the water! Designed for hours of fun in the pool, you and your friends will have a blast playing with the LandShark Pong Raft all day long. When you are ready for a break and just want to get your float on, flip the raft over, climb on and soak up the sun!

*Cups and ball NOT included

- Size: 84" x 36"
- Heavy Gauge Construction
- 3-Way Valve For Quick Inflation
- Flip It Over For Lounging



LANDSHARK *LOUNGER* #2193347

With its extra thick design, the LandShark Lounger is the perfect float to keep you high and dry while you lounge on the water. Soak up the sun, enjoy a cold beverage and relax the day away!

- Size: 72" x 28"
- Comfortable Softec Seating Area
- Heavy Gauge Construction
- Built-In Cup Holder
- Side Handle For Easy Carrying
- 3-Way Valve For Quick Inflation
- Designed For One Person



LANDSHARK *PET VEST* #2193347

Designed for dogs of all shapes and sizes, this vest features multiple adjustments to fit securely around your furry friend. The streamlined vest puts just the right amount of flotation in the perfect spot to help with buoyancy and not hinder mobility

- Top Zip Closure For Easy Entry
- Reflective Nylon Handle With Leash Attachment Ring
- Neck Buckle
- Adjustable Ladder Locks



| SIZE | WEIGHT | NECK | CHEST | WAIST | PART # |
|------|--------------|-----------|-----------|-----------|----------|
| XS | 8 - 15 lbs. | 10" - 13" | 18" - 24" | 14" - 20" | #2192812 |
| S | 15 - 30 lbs. | 12" - 16" | 22" - 28" | 18" - 24" | #2192813 |
| M | 30 - 60 lbs. | 15" - 19" | 26" - 32" | 22" - 28" | #2192814 |
| L | 60 - 80 lbs. | 18" - 22" | 30" - 38" | 26" - 32" | #2192815 |
| XL | Over 80 lbs. | 18" - 24" | 30" - 42" | 26" - 36" | #2192816 |



AG

Aquaglide

LAKEFRONT





LAKEFRONT

Aquaglide's Lakefront products are designed for the waterfront homeowner with access to a lake, ocean, river, or pond. The collection includes pieces for all users – looking for play or anyone in the family seeking to maximize relaxation. Fully welded, reinforced Duratex™ PVC construction across the Lakefront line provides years of worry-free residential use.



LIFE ON THE WATER

At Aquaglide, our passion for watersports has yielded best in class inflatable products from commercial aquaparks, lakefront products, kayaks, SUPs and an array of paddlesports accessories.

Designed in Bend, Oregon by devout adventurers, we take pride in creating premium inflatables available in over 70 countries. Our mission is to build the best products utilizing innovative designs, patented technology while providing world-class customer service, support and retail distribution.

What Makes Aquaglide the Best?

Making a recreational purchase for your waterfront home or boat is a big decision. Here are some important points to consider.

DESIGN AND INNOVATION

Aquaglide helped lead the rapid evolution from basic water trampolines to the advanced Lakefront offerings we have today. Early in this evolution, our design team developed one of the first in-water attachment systems to allow secure modular connections. This system is at the foundation of every Aquaglide Lakefront product, making it possible to interconnect myriad items for fun and relaxation. Your vision combines with our innovative design to create a custom space on the water for friends and family.

CREATIVE FREE PLAY

Aquaglide products inspire creative free play. Each product is usable in several ways, inviting participants to stay and 'session,' riffing off each other for maximum fun. This variety also appeals to a range of age groups, offering accessible areas while keeping even the biggest the kids-at-heart entertained with maximum play value.

SUPERIOR MATERIALS

Aquaglide Lakefront products use only the highest-grade materials available to maximize product lifespan. Our Duratex fabric-reinforced PVC is based on a 1000d polyester core and is the highest quality material for waterfront products. All anchor and connecting rings are #316 marine-grade stainless steel and heavily reinforced for a long, hassle-free life. Buckles are tamper-resistant, and straps are heavily reinforced nylon for durability. Aquaglide's product range offers the most refined, technologically superior materials on the planet.

SUPERIOR CONSTRUCTION

Superior materials enable exceptional construction techniques. Our premium Duratex material allows a thicker coating of PVC which results in higher-quality welds for increased durability and even better airtightness. Quality seam construction is essential for the durability of inflatable products. Consequently, Aquaglide uses only hot air-welded, 3-layer seams – never glued seams – built to last for the long haul.

TRUST & WARRANTY

We don't just build products; we build trust. This happens by forging long-term partnerships with real people, our loyal customers. By choosing Aquaglide, you can trust that you will receive safe, high-quality products and the highest level of service. We stand behind our products, and offer a 3-year warranty against any defect in material or workmanship.

EXCITEMENT

While each of these points are important to consider, the bottom line is that at Aquaglide we sell excitement. Our products maximize good times on the water. We know leisure time is valuable, and we want to help you make the best of it!

LAKEFRONT MOORING

Proper mooring is critical to the success of any floating lakefront product. We recommend using Aquaglide mooring lines and weight recommendations as a starting point. Weight recommendations are intended to keep products in place during a normal range of weather conditions faced in most anchorage areas. Even in so-called light-wind areas, storms, squalls and other extreme weather events can happen quickly, and as we like to say, 'luck favors the prepared.'

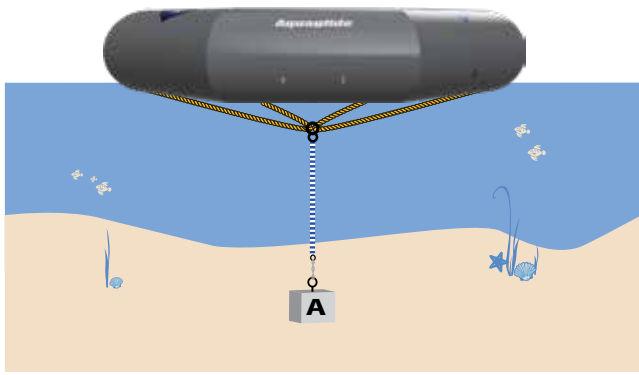
There are many variables involved in adequate mooring, and our recommendations do not purport to consider all of them. It is the owner/ operator's responsibility to evaluate the needs of their specific site, to monitor anchored items, and to adjust as necessary. Some circumstances may require additional weight or different types of mooring.

Aquaglide weight recommendations are based on the maximum potential wind loads generated by each item at a wind speed of 26 knots (48 km/h, 30 mph), with a modest margin of safety built in. Anchor weights are standardized to make construction simple, and to accommodate the use of anchor bags. Weight recommendations are based on the apparent weight of concrete mooring blocks or weight bags in either salt or fresh water. If significantly stronger winds are forecast, we recommend partially deflating larger items or removing items from the water for storage.

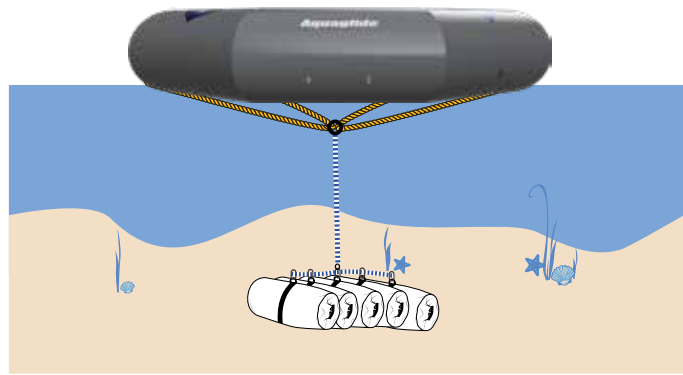
Weight recommendations are meant to specify the anchor weight or equivalent holding power. This provides a guideline for the use of weight bags, ground screws, or earth anchors in cases where these solutions are preferred.

The following information details the best mooring solutions for most lakefront items. If there are site-specific concerns, please feel free to reach us directly or consider working with a mooring specialist aware of your local conditions.





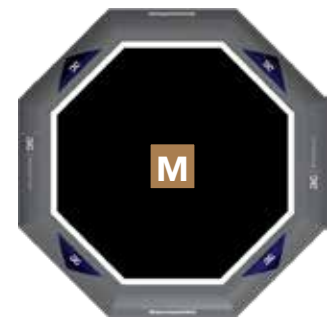
CONCRETE BLOCKS



ANCHOR BAGS

RANGE OF WEIGHTS

| Size | Metric | Imperial | QTY Bags |
|-----------------|--------|----------|------------------|
| S Small | 100kg | 250lb | 2 bags (linked) |
| M Medium | 250kg | 500lb | 5 bags (linked) |
| L Large | 500kg | 1000lb1 | 10 bags (linked) |



TOP VIEW



RICOCHET AQUAPARK 12.0

US MAP: \$1,499.99

Item Number: 585221134

SKU: 0079062804516

Dimensions: L 22.3' x W 22.2' x H 4.6'
(L 6.79m x W 6.76m x H 1.4m)

One of our most popular products optimized for maximum fun, the Ricochet 12.0 Bouncer is an excellent alternative to Aquaglide spring trampolines. With its 12-foot diameter, the Ricochet 12.0 is ideal for smaller families. High-quality fully welded Duratex™ construction means the Ricochet 12.0 is built for years of worry-free fun. The Ricochet 12.0 Aquapark comes with a Slide, 50-50 Log, and C-Deck for the complete waterpark experience.



Includes:

- Ricochet Bouncer 12.0
- C-Deck
- 50-50 Log
- Small Slide (12-14)
- 4-way mooring bridle
- Repair kit

Not Included:

- Anchor bags
- Mooring lines
- Inflation pump

Recommended Items:

- Hurricane 110v 3.6 Pump
- Complete Mooring Line, 19 ft (5.79m)

Best For:

- Bouncing

Warranty:

- Limited 3-year Residential / 1-year light Commercial

Material:

- 0.70 mm / 25oz PVC weight

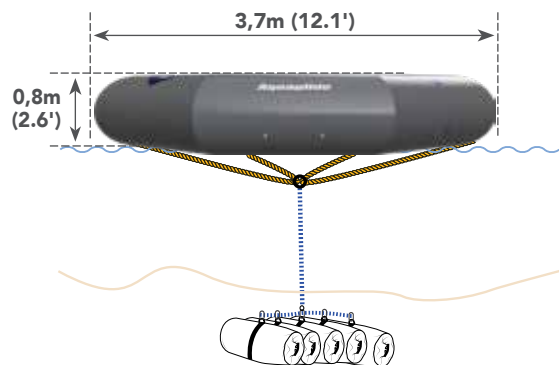
Construction:

- Tubular - welded 3 layer seam

Mooring Diagram

* We recommend using Aquaglide mooring lines and weight recommendations as a starting point. Weighted anchors can be either poured concrete or Aquaglide's Lakefront Anchoring System.

It is the responsibility of the owner/ operator to consider the needs of their specific site, to monitor anchored items, and to make adjustments as necessary. Some circumstances may require additional weight or different types of mooring.



| | | | | | |
|---|--|---|---|--|--|
| USERS
ADULT / CHILD
Bouncing
4
Lounging
6 | MAX WEIGHT CAPACITY KG LBS.
614 kg
(1350 lbs.) | MINIMUM WATER DEPTH
2,44m
(8ft) | MIN. DISTANCE AWAY M FT
4,5m
(15ft) | MIN. TOTAL ANCHOR WEIGHT
250 kg
(500 lbs.) | MIN. WEIGHT PER ANCHOR
250 kg
(500 lbs.) |
| NUMBER OF ANCHOR WEIGHTS
1 | ANCHOR RINGS
4 | 4-WAY MOORING BRIDLE
1 | D-RINGS
5 5 2
(LOG),
4 (slide) | WORKING PRESSURE
MAIN
1.2 psi
(0,083 bar) | STRAPS
3
VARIO |

© Copyright 2023 Aquaglide | Proprietary + Confidential

US MAP: \$1,999.99

Item Number: 585221135

SKU: 0 79062804517 9

Dimensions: L 26.2' x W 26' x H 5'
(L 7.98m x W 7.92m x H 1.5m)

The Ricochet 16.0 is an expansive bouncer that provides good bounce characteristics without the complexity of a metal frame and springs and with plenty of space for family and friends to lounge. The included C-Deck platform makes boarding access more manageable than typical rope ladders used by other brands. The Ricochet 16.0 Aquapark includes a Slide, 50-50 Log, and a C-Deck to create a full waterpark experience



Includes:

- Ricochet Bouncer 16.0
- C-Deck
- 50-50 Log
- Large Slide (16-17)
- 4-way mooring bridle
- Repair kit

Not Included:

- Anchor bags
- Mooring lines
- Inflation pump

Recommended Items:

- Hurricane 110v 3.6 Pump
- Complete Mooring Line, 19 ft (5.79m)

Best For:

- Bouncing

Warranty:

- Limited 3-year Residential / 1-year light Commercial

Material:

- 0.70 mm / 25oz PVC weight

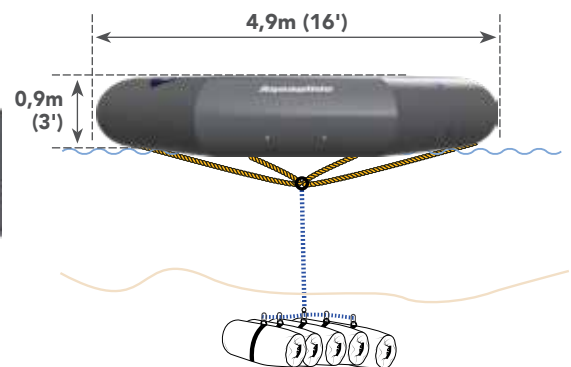
Construction:

- Tubular - welded 3 layer seam

Mooring Diagram

* We recommend using Aquaglide mooring lines and weight recommendations as a starting point. Weighted anchors can be either poured concrete or Aquaglide's Lakefront Anchoring System.

It is the responsibility of the owner/ operator to consider the needs of their specific site, to monitor anchored items, and to make adjustments as necessary. Some circumstances may require additional weight or different types of mooring.



| | | | | | |
|---|---|--|--|---|---|
| USERS
ADULT / CHILD
Bouncing
6
Lounging
8 | MAX WEIGHT
CAPACITY KG LBS.
796 kg
(1750 lbs.) | MINIMUM
WATER DEPTH
2,44m
(8ft) | MIN. DISTANCE
AWAY M FT
4,5m
(15ft) | MIN. TOTAL
ANCHOR WEIGHT
250 kg
(500 lbs.) | MIN. WEIGHT
PER ANCHOR
250 kg
(500 lbs.) |
| NUMBER OF
ANCHOR WEIGHTS
1 | ANCHOR
RINGS
4
Included | 4-WAY
MOORING BRIDLE
1 | D-RINGS
5 5 2
(LOG),
4 (slide) | WORKING
PRESSURE
MAIN
1.2 psi
(0,083 bar) | STRAPS
3
VARIO |

© Copyright 2023 Aquaglide | Proprietary + Confidential

RICOCHET BOUNCER 12.0

US MAP: \$1,099.99

Item Number: 585221123

SKU: 0790628045148

Dimensions: L 12.1' x W 12.1' x H 2.6'
(L 3.7m x W 3.7m x H 0.8m)

Box Dimensions:

L 30" x W 22" x H 14", 83.8 lbs.
(L 75cm x W 55cm x H 35cm, 38 kg)



One of our most popular products optimized for maximum fun, the Ricochet 12.0 Bouncer is an excellent alternative to Aquaglide spring trampolines. With its 12-foot diameter, the Ricochet 12.0 is ideal for smaller families. High-quality fully welded Duratex™ construction means the Ricochet 12.0 is built for years of worry-free fun and includes a C-Deck boarding platform for easier access than a rope ladder. Integrated D-rings provide attachment points for optional slide and log accessories or other Aquaglide residential park accessories.

Includes:

- Ricochet Bouncer 12.0
- C-Deck
- 4-way mooring bridle
- Repair kit

Not Included:

- Anchor bags
- Mooring lines
- Inflation pump

Recommended Items:

- Hurricane 110v 3.6 Pump
- Complete Mooring Line, 19 ft (5.79m)

Best For:

- Bouncing

Warranty:

- Limited 3-year Residential / 1-year light Commercial

Material:

- 0.70 mm / 25oz PVC weight

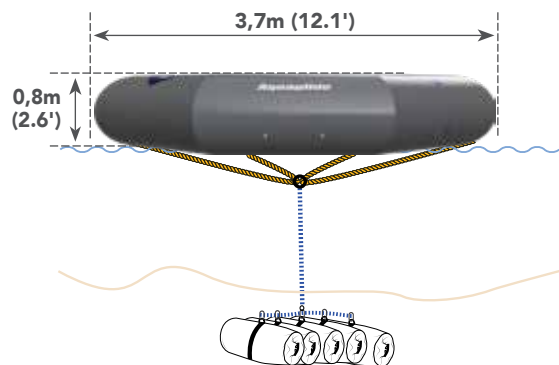
Construction:

- Tubular - welded 3 layer seam

Mooring Diagram

* We recommend using Aquaglide mooring lines and weight recommendations as a starting point. Weighted anchors can be either poured concrete or Aquaglide's Lakefront Anchoring System.

It is the responsibility of the owner/ operator to consider the needs of their specific site, to monitor anchored items, and to make adjustments as necessary. Some circumstances may require additional weight or different types of mooring.



| | | | | | |
|---|---|---|---|--|--|
| USERS
ADULT / CHILD
Bouncing
1 3
Lounging
1 3 | MAX WEIGHT CAPACITY KG LBS.
272 kg
(600 lbs.) | MINIMUM WATER DEPTH
2,44m
(8ft) | MIN. DISTANCE AWAY M FT
4,5m
(15ft) | MIN. TOTAL ANCHOR WEIGHT
250 kg
(500 lbs.) | MIN. WEIGHT PER ANCHOR
250 kg
(500 lbs.) |
| NUMBER OF ANCHOR WEIGHTS
1 | ANCHOR RINGS
4 | 4-WAY MOORING BRIDLE
1 | D-RINGS
5 5 2
(LOG),
4 (slide) | WORKING PRESSURE
MAIN
1.2 psi
(0,083 bar) | STRAPS
3
VARIO |

© Copyright 2023 Aquaglide | Proprietary + Confidential

RICOCHET BOUNCER 16.0

US MAP: \$1,499.99

Item Number: 585221124

SKU: 0790628045155

Dimensions: L 16' x W 16' x H 3'
(L 4.9m x W 4.9m x H 0.9m)

Box Dimensions:

L 30" x W 22" x H 20", 106.5 lbs.
(L 76cm x W 55cm x W 50cm, 48.3 kg)



The Ricochet 16.0 is an expansive bouncer that provides good bounce characteristics without the complexity of a metal frame and springs and with plenty of space for family and friends to lounge. The included C-Deck platform makes boarding access more manageable than typical rope ladders used by other brands. Integrated D-rings provide attachment points for optional slide and log accessories or other Aquaglide residential park accessories.

Includes:

- Ricochet Bouncer 16.0
- C-Deck
- 4-way mooring bridle
- Repair kit

Not Included:

- Anchor bags
- Mooring lines
- Inflation pump

Recommended Items:

- Hurricane 110v 3.6 Pump
- Complete Mooring Line, 19 ft (5.79m)

Best For:

- Bouncing

Warranty:

- Limited 3-year Residential / 1-year light Commercial

Material:

- 0.70 mm / 25oz PVC weight

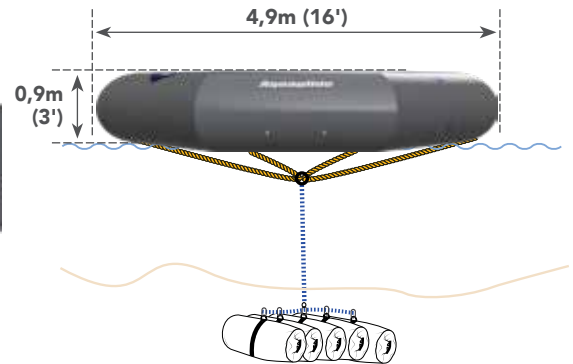
Construction:

- Tubular - welded 3 layer seam

Mooring Diagram

* We recommend using Aquaglide mooring lines and weight recommendations as a starting point. Weighted anchors can be either poured concrete or Aquaglide's Lakefront Anchoring System.

It is the responsibility of the owner/ operator to consider the needs of their specific site, to monitor anchored items, and to make adjustments as necessary. Some circumstances may require additional weight or different types of mooring.



| | | | | | |
|---|--|---|---|--|--|
| USERS
ADULT / CHILD
Bouncing
3 3
Lounging
5 5 | MAX WEIGHT CAPACITY KG LBS.
454 kg
(1000 lbs.) | MINIMUM WATER DEPTH
2,44m
(8ft) | MIN. DISTANCE AWAY M FT
4,5m
(15ft) | MIN. TOTAL ANCHOR WEIGHT
250 kg
(500 lbs.) | MIN. WEIGHT PER ANCHOR
250 kg
(500 lbs.) |
| NUMBER OF ANCHOR WEIGHTS
1 | ANCHOR RINGS
4
Included | 4-WAY MOORING BRIDLE
1 | D-RINGS
5 5 2
(LOG),
4 (slide) | WORKING PRESSURE
MAIN
1.2 psi
(0,083 bar) | STRAPS
3
VARIO |

RECOIL AQUAPARK 14.0

US MAP: \$2,799.99

Item Number: 585221156

SKU: 0790628045179

Dimensions: L 28.8' x W 18.7'
(8.78m x 5.69m)

The Recoil 14.0 trampoline is built for excellent bouncing performance and is ideal for small families and younger users. Made with fully welded, reinforced Duratex™ construction and three-layer seams for years of use, the Recoil 14.0 includes a C-Deck boarding platform, 4-way anchor bridle, and D-ring attachment points. The Recoil 14 Aquapark also comes complete with the slide and 50-50 Log for a complete aquapark experience.



Includes:

- Recoil Tramp 14.0
- C-Deck
- 50-50 Log
- Small Slide (12-14)
- 4-way mooring bridle
- Repair kit

Not Included:

- Anchor bags
- Mooring lines
- Inflation pump

Recommended Items:

- Hurricane 110v 3.6 Pump
- Complete Mooring Line, 19 ft (5.79m)

Best For:

- Bouncing

Warranty:

- Limited 3-year Residential / 1-year light Commercial

Material:

- 0.70 mm / 25oz PVC weight

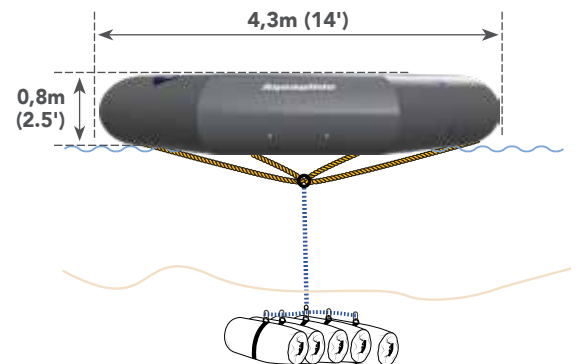
Construction:

- Tubular - welded 3 layer seam

Mooring Diagram

* We recommend using Aquaglide mooring lines and weight recommendations as a starting point. Weighted anchors can be either poured concrete or Aquaglide's Lakefront Anchoring System.

It is the responsibility of the owner/ operator to consider the needs of their specific site, to monitor anchored items, and to make adjustments as necessary. Some circumstances may require additional weight or different types of mooring.



| | | | | | |
|---|--|---|---|--|--|
| USERS
ADULT / CHILD
Bouncing
4
Lounging
6 | MAX WEIGHT CAPACITY KG LBS.

614 kg
(1350 lbs.) | MINIMUM WATER DEPTH

2,44m
(8ft) | MIN. DISTANCE AWAY M FT

4,5m
(15ft) | MIN. TOTAL ANCHOR WEIGHT

250 kg
(500 lbs.) | MIN. WEIGHT PER ANCHOR

250 kg
(500 lbs.) |
| NUMBER OF ANCHOR WEIGHTS

1 | ANCHOR RINGS

4 | 4-WAY MOORING BRIDLE

1
Included | D-RINGS

5 5 2
(LOG),
4 (slide) | WORKING PRESSURE

MAIN
1.2 psi
(0,083 bar) | STRAPS

3
VARIO |

RECOIL AQUAPARK 17.0

US MAP: \$3,399.99

Item Number: 585221157

SKU: 0790628045926

Dimensions: LL 31.75' x W 21.5'
(9.68m x 6.55m)

The Recoil 17.0 is built for superior bouncing performance for larger families with teenagers or adult friends. Like the Recoil 14.0, the 17.0 comes with a rigid Octane frame, stainless springs, a C-Deck boarding platform, and a 4-way anchor bridle. The Recoil 17.0 Aquapark also comes with slide and 50-50 Log for a complete aquapark experience. Fully welded, reinforced Duratex™ construction provides years of worry-free residential use and includes integrated D-rings for attaching the included slide and log accessories or other Aquaglide residential park accessories.



Includes:

- Recoil Tramp 17.0
- C-Deck
- 50-50 Log
- Large Slide (16-17)
- 4-way mooring bridle
- Repair kit

Not Included:

- Anchor bags
- Mooring lines
- Inflation pump

Recommended Items:

- Hurricane 110v 3.6 Pump
- Complete Mooring Line, 19 ft (5.79m)

Best For:

- Bouncing

Warranty:

- Limited 3-year Residential 1-year light Commercial

Material:

- 0.70 mm / 25oz PVC weight

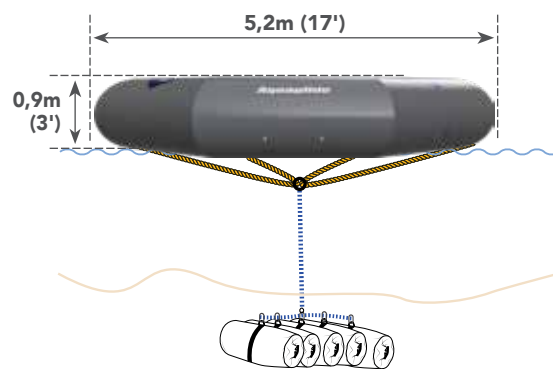
Construction:

- Tubular - welded 3 layer seam

Mooring Diagram

* We recommend using Aquaglide mooring lines and weight recommendations as a starting point. Weighted anchors can be either poured concrete or Aquaglide's Lakefront Anchoring System.

It is the responsibility of the owner/ operator to consider the needs of their specific site, to monitor anchored items, and to make adjustments as necessary. Some circumstances may require additional weight or different types of mooring.



| | | | | | |
|---|--|--|---|---|---|
| USERS
ADULT / CHILD
Bouncing
6
Lounging
7 | MAX WEIGHT CAPACITY
KG LBS.
705 kg
(1550 lbs.) | MINIMUM WATER DEPTH
2,44m
(8ft) | MIN. DISTANCE AWAY
M FT
4,5m
(15ft) | MIN. TOTAL ANCHOR WEIGHT
250 kg
(500 lbs.) | MIN. WEIGHT PER ANCHOR
250 kg
(500 lbs.) |
| NUMBER OF ANCHOR WEIGHTS
1 | ANCHOR RINGS
4 | 4-WAY MOORING BRIDLE
1
Included | D-RINGS
5 5 2
(LOG),
4 (slide) | WORKING PRESSURE
MAIN
1.2 psi
(0,083 bar) | STRAPS
3
VARIO |

© Copyright 2023 Aquaglide | Proprietary + Confidential

RECOIL TRAMP 14.0

US MAP: \$2,099.99

Item Number: 585221121

SKU: 0790628045124

Dimensions: L 14' x W 14' x H 2.5'
(L 4.3m x W 4.3m x H 0.9m)

Box Dimensions:

Box 1: L 32" x W 24" x H 13", 17.7 lbs.
(L 80cm x W 60cm x H 32cm, 45 kg)

Box 2: L 54" x W 21" x H 12", 15.7 lbs.
(L 135cm x W 51cm x H 29cm, 40 kg)

The Recoil 14.0 trampoline is built for excellent bouncing performance and is ideal for small families and younger users. Made with fully welded, reinforced Duratex™ construction and three-layer seams for years of use, the Recoil 14.0 includes a C-Deck boarding platform, 4-way anchor bridle, and D-ring attachment points for securing optional Recoil slide and 50/50 log accessories; or connects to other Aquaglide residential park accessories on two sides.

Includes:

- Recoil Tramp 14.0
- C-Deck
- 4-way mooring bridle
- Repair kit

Not Included:

- Anchor bags
- Mooring lines
- Inflation pump

Recommended Items:

- Hurricane 110v 3.6 Pump
- Complete Mooring Line, 19 ft (5.79m)

Best For:

- Bouncing

Warranty:

- Limited 3-year Residential / 1-year light Commercial

Material:

- 0.70 mm / 25oz PVC weight

Construction:

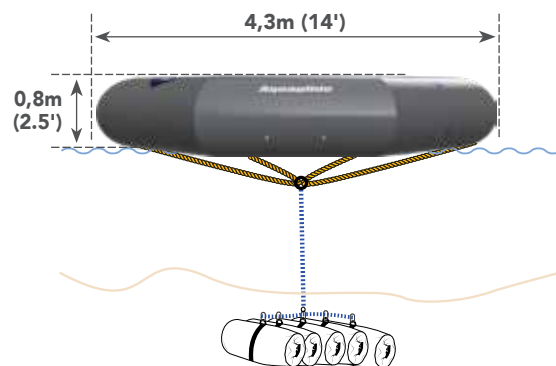
- Tubular - welded 3 layer seam



Mooring Diagram

* We recommend using Aquaglide mooring lines and weight recommendations as a starting point. Weighted anchors can be either poured concrete or Aquaglide's Lakefront Anchoring System.

It is the responsibility of the owner/ operator to consider the needs of their specific site, to monitor anchored items, and to make adjustments as necessary. Some circumstances may require additional weight or different types of mooring.



| | | | | | |
|---|---|---|---|--|--|
| USERS
ADULT / CHILD
Bouncing
1 3
Lounging
1 3 | MAX WEIGHT CAPACITY KG LBS.

272 kg
(600 lbs.) | MINIMUM WATER DEPTH

2,44m
(8ft) | MIN. DISTANCE AWAY M FT

4,5m
(15ft) | MIN. TOTAL ANCHOR WEIGHT

250 kg
(500 lbs.) | MIN. WEIGHT PER ANCHOR

250 kg
(500 lbs.) |
| NUMBER OF ANCHOR WEIGHTS

1 | ANCHOR RINGS

4 | 4-WAY MOORING BRIDLE

1
Included | D-RINGS

5 5 2
(LOG),
4 (slide) | WORKING PRESSURE

MAIN
1.2 psi
(0,083 bar) | STRAPS

3
VARIO |

RECOIL TRAMP 17.0

US MAP: \$2,699.99

Item Number: 585221122

SKU: 0790628045131

Dimensions: L 17' x W 17' x H 3'

(L 5.2m x W 5.2m x H 0.9m)

Box Dimensions:

Box 1: L 32" x W 24" x H 14", 26.7 lbs.

(L 80cm x W 60cm x H 35cm, 67.8 kg)

Box 2: L 62" x W 21" x H 12", 18.2 lbs.

(L 157cm x W 51cm x H 29cm, 46.3 kg)

The Recoil 17.0 is built for superior bouncing performance for larger families with teenagers or adult friends. Like the Recoil 14.0, the 17.0 comes with a rigid Octane frame, stainless springs, a C-Deck boarding platform, and a 4-way anchor bridle. Fully welded, reinforced Duratex™ construction provides years of worry-free residential use and includes integrated D-rings for attaching optional slide and log accessories or other Aquaglide residential park accessories on two sides.



Includes:

- Recoil Tramp 17.0
- C-Deck
- 4-way mooring bridle
- Repair kit

Not Included:

- Anchor bags
- Mooring lines
- Inflation pump

Recommended Items:

- Hurricane 110v 3.6 Pump
- Complete Mooring Line, 19 ft (5.79m)

Best For:

- Bouncing

Warranty:

- Limited 3-year Residential 1-year light Commercial

Material:

- 0.70 mm / 25oz PVC weight

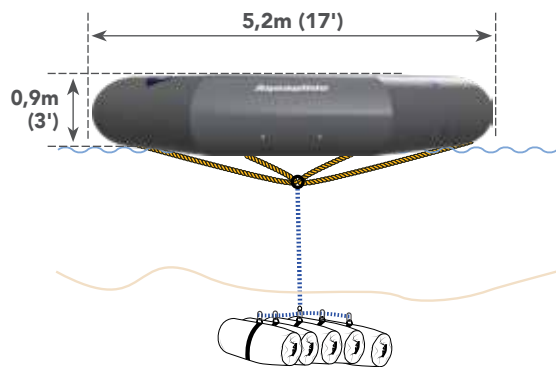
Construction:

- Tubular - welded 3 layer seam

Mooring Diagram

* We recommend using Aquaglide mooring lines and weight recommendations as a starting point. Weighted anchors can be either poured concrete or Aquaglide's Lakefront Anchoring System.

It is the responsibility of the owner/ operator to consider the needs of their specific site, to monitor anchored items, and to make adjustments as necessary. Some circumstances may require additional weight or different types of mooring.



| | | | | | |
|---|---|--|--|---|---|
| USERS
ADULT / CHILD
Bouncing
3 3
Lounging
5 5 | MAX WEIGHT
CAPACITY KG LBS.
454 kg
(1000 lbs.) | MINIMUM
WATER DEPTH
2,44m
(8ft) | MIN. DISTANCE
AWAY M FT
4,5m
(15ft) | MIN. TOTAL
ANCHOR WEIGHT
250 kg
(500 lbs.) | MIN. WEIGHT
PER ANCHOR
250 kg
(500 lbs.) |
| NUMBER OF
ANCHOR WEIGHTS
1 | ANCHOR
RINGS
4 | 4-WAY
MOORING BRIDLE
1
Included | D-RINGS
5 5 2
(LOG),
4 (slide) | WORKING
PRESSURE
MAIN
1.2 psi
(0,083 bar) | STRAPS
3
VARIO |

© Copyright 2023 Aquaglide | Proprietary + Confidential

VELOCITY SLIDE 6.0

US MAP: \$2,099.99

Item Number: 585221136

SKU: 0790628045230

Dimensions: L 13.3' x W 8' x H 6'
(L 4.1m x W 2.4m x H 1.8m)

Box Dimensions:

L 36" x W 17" x H 22", 89.5 lbs. 1pc.
(L 90cm x W 42cm x H 55cm, 40,6 kg)



The Velocity 6.0 Slide is ideal for families with younger kids. A ladder-style climbing wall leads to a zero-entry six-foot drop-zone that provides hours of thrills and excitement. Duratex™ reinforced construction with three-layer seams provides maximum slide velocity and years of worry-free use. Use the Velocity 6.0 Slide as a standalone accessory or connect it to any Aquaglide residential park on the entry side.

Includes:

- Velocity 6.0 slide
- Repair kit

Not Included:

- Anchor bags
- Mooring lines
- Boarding platform
- Inflation pump

Recommended Items:

- Hurricane 110v 3.6 Pump
- Complete Mooring Line, 19 ft (5.79m)

Best For:

- Slippin' and slidin'

Warranty:

- Limited 3-year Residential
- 1-year Light Commercial

Material:

- 0.70 mm / 25 oz

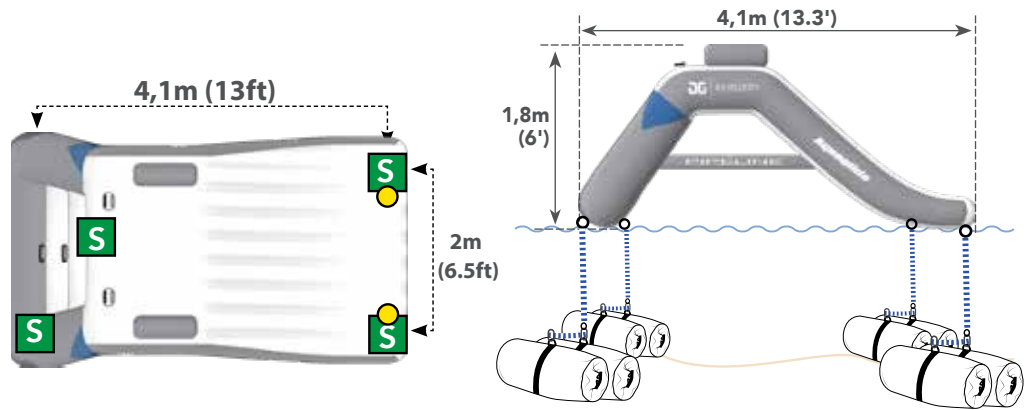
Construction:

- Double I-Beam
- Welded 3 layer seam

Mooring Diagram

* We recommend using Aquaglide mooring lines and weight recommendations as a starting point. Weighted anchors can be either poured concrete or Aquaglide's Lakefront Anchoring System.

It is the responsibility of the owner/ operator to consider the needs of their specific site, to monitor anchored items, and to make adjustments as necessary. Some circumstances may require additional weight or different types of mooring.



| | | | | | |
|-----------------------------|----------------------------------|---------------------------|------------------------------|---|---------------------------|
| USERS
ADULT / CHILD | MAX WEIGHT
CAPACITY KG LBS. | MINIMUM
WATER DEPTH | MIN. DISTANCE
AWAY M FT | MIN. TOTAL
ANCHOR WEIGHT | MIN. WEIGHT
PER ANCHOR |
| 2 2 | 181 kg
(400 lbs.) | 1,83m
(6ft) | 3m
(10ft) | 400 kg
(1000 lbs.) | 100 kg
(250 lbs.) |
| NUMBER OF
ANCHOR WEIGHTS | ANCHOR
RINGS | VERTICAL
MOORING LINES | D-RINGS | WORKING
PRESSURE | |
| 4 | 4 | 4 | 5 | MAIN [1] 1.8 psi
(0,124 bar)
SLIDE [2] 1.0 psi
(0,069 bar)
TOP TUBES [3] 1.8 psi
(0,124 bar) | |

© Copyright 2023 Aquaglide | Proprietary + Confidential

US MAP: \$4,399.99

Item Number: 585221129

SKU: 0790628045223

Dimensions: L 20.8' x W 9' x H 9.6'
(L 6.4m x W 2.7m x H 2.9m)

Box Dimensions:

L 46" x W 34" x H 24", 258 lbs. 1 pc.
(L 115cm x W 84cm x H 59cm, 117 kg)

Not for the faint of heart, the Velocity 10.0 Slide features a ladder-style climbing wall that leads to a ten-foot-high drop-zone that takes your breath away. Between slides, an interior mesh floor provides a shaded alternative splash or rest area. We use durable Duratex™ construction with three-layer seams to provide maximum velocity and years of worry-free use. The Velocity 10.0 Slide can be used as a standalone waterpark accessory or connected to any Aquaglide residential park on three sides.



Includes:

- Velocity Slide 10.0
- Repair Kit

Not Included:

- Anchor bags
- Mooring lines
- Inflation pump
- Boarding platform

Recommended Items:

- Hurricane 110v 3.6 Pump
- Tornado 110v 2.5 Pump
- Turbo 2.3 Pump
- Complete Mooring Line, 19 ft (5.79m)

Best For:

- Sliding, playing, bouncing, and relaxing.

Warranty:

- Limited 3-year Warranty

Material:

- 0.70 mm / 25 oz

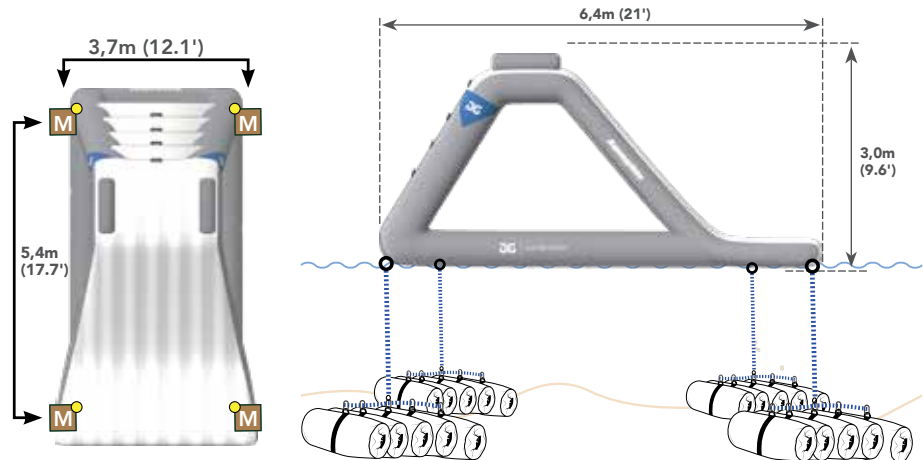
Construction:

- Double I-Beam w/ tubular
- Welded 3 layer seam

Mooring Diagram

* We recommend using Aquaglide mooring lines and weight recommendations as a starting point. Weighted anchors can be either poured concrete or Aquaglide's Lakefront Anchoring System.

It is the responsibility of the owner/ operator to consider the needs of their specific site, to monitor anchored items, and to make adjustments as necessary. Some circumstances may require additional weight or different types of mooring.



| | | | | | |
|---|--|--|--|---|---|
| USERS
ADULT / CHILD
4 4 | MAX WEIGHT
CAPACITY KG LBS.
363 kg
(800 lbs.) | MINIMUM
WATER DEPTH
2,37m
(7.8ft) | MIN. DISTANCE
AWAY M FT
4,5m
(15ft) | MIN. TOTAL
ANCHOR WEIGHT
1000 kg
(2000 lbs.) | MIN. WEIGHT
PER ANCHOR
250 kg
(500 lbs.) |
| NUMBER OF
ANCHOR WEIGHTS
4 | ANCHOR
RINGS
4 | VERTICAL
MOORING LINES
4 | D-RINGS
5 | WORKING
PRESSURE
MAIN [1]
1.8psi (0,124 bar),
SLIDE [2]
1.0psi (0,069 bar),
TOP TUBES [3]
1.8psi (0,124 bar) | |

© Copyright 2023 Aquaglide | Proprietary + Confidential

SMALL SLIDE [12 -14]

US MAP: \$289.99

Item Number: 585221126

SKU: 0790628045193

Dimensions: L 7' x W 2' x H 4.6'
(L 2.1m x W 0.6m x H 1.4m)

Box Dimensions:

L 20" x W 16" x H 8", 16.1 lbs. 1 pc.
(L 50cm x W 40cm x H 20cm, 7.3 kg)

Add loads of fun and a whole new dimension to the Ricochet 12.0 bouncer or Recoil 14.0 trampoline with our optional 7-foot small slide. Each slide is designed to connect to the D-rings that come pre-installed on Aquaglide waterpark items and is not suitable for use as a standalone item or with waterpark products from other brands. If you're looking to expand your waterpark, the Small Ricochet/Recoil Slide is a must-have item.

Includes:

- Small Slide
- 4 slide straps
- Repair kit

Not Included:

- Inflation pump

Recommended Items:

- Hurricane 110v 3.6 Pump
- Tornado 110v 2.5 Pump
- Turbo 2.3 Pump

Best For:

- Connects to the Ricochet 12.0 or Recoil 14.0 for a slide + bounce experience

Warranty:

- Limited 3-year Residential
- 1-year light Commercial

Material:

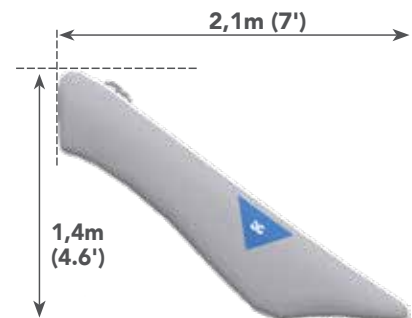
- 0.70 mm / 25 oz

Construction:

- I-Beam - welded 3 layer seam



| | | | |
|--|--|--|---|
| <p>USERS
ADULT / CHILD</p> <p>1 2</p> | <p>MAX WEIGHT
CAPACITY KG LBS.</p> <p>114 kg
(250 lbs.)</p> | <p>MINIMUM
WATER DEPTH</p> <p>2,44m
(8ft)</p> | <p>MIN. DISTANCE AWAY
M FT</p> <p>4,5m
(15ft)</p> |
| <p>NO
ANCHORING
REQUIRED</p> | <p>STRAPS</p> <p>4
SLIDE</p> | <p>D-RINGS</p> <p>2 2</p> | <p>WORKING
PRESSURE</p> <p>MAIN [1]
0.8 psi (0,055) bar</p> |



© Copyright 2023 Aquaglide | Proprietary + Confidential

LARGE SLIDE [16 -17]

US MAP: \$349.99

Item Number: 585221127

SKU: 0790628045209

Dimensions: L 8' x W 2' x H 5'
(L 2.4m x W 0.6m x H 1.52m)

Box Dimensions:

L 20" x W 16" x H 8" 17.2 lbs. 1 pc.
(L 50cm x W 40cm x H 20cm, 7.8 kg)

Our 8-foot large slide is an easy way to add a new dimension of fun to the Ricochet 16.0 bouncer or Recoil 17.0 trampoline. This slide is specifically designed to connect to the pre-installed D-rings that come standard on Aquaglide waterpark items and are not intended as standalone items or to be used with waterpark products from other brands. If you're looking to expand your waterpark, the Large Ricochet/Recoil Slide is a must-have item.

Includes:

- Large Slide
- 4 slide straps
- Repair kit

Not Included:

- Inflation pump

Recommended Items:

- Hurricane 110v 3.6 Pump
- Tornado 110v 2.5 Pump
- Turbo 2.3 Pump

Best For:

- Connects to the Ricochet 16.0 or Recoil 17.0 for a slide + bounce experience

Warranty:

- Limited 3-year Residential
- 1-year light Commercial

Material:

- 0.70 mm / 25 oz

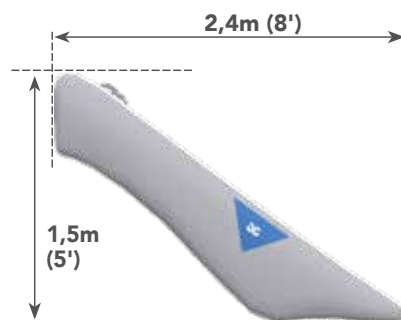
Construction:

- I-Beam - welded 3 layer seam



| | | | |
|--|--|--|---|
| <p>USERS
ADULT / CHILD</p> <p>1 2</p> | <p>MAX WEIGHT
CAPACITY KG LBS.</p> <p>114 kg
(250 lbs.)</p> | <p>MINIMUM
WATER DEPTH</p> <p>2,44m
(8ft)</p> | <p>MIN. DISTANCE AWAY
M FT</p> <p>4,5m
(15ft)</p> |
| <p>NO
ANCHORING
REQUIRED</p> | <p>STRAPS</p> <p>4
SLIDE</p> | <p>D-RINGS</p> <p>2 2</p> | <p>WORKING
PRESSURE</p> <p>MAIN [1]
0.8 psi (0,055) bar</p> |

© Copyright 2023 Aquaglide | Proprietary + Confidential



SPIRE 6.8

US MAP: \$2,099.99

Item Number: 585221130

SKU: 0790628045247

Dimensions: L 10' x W 10.2' x H 6.8'
(L 3.1m x W 3.1m x H 2.1m)

Box Dimensions:

L 44" x W 32" x H 20", 177 lbs.
(L 110cm x W 80cm x H 50cm, 80 kg)



The Spire 6.8 is nearly seven vertical feet of climbing, splashing, and jumping excitement. The multi-use play structure screams fun from every opening and utilizes fully welded, reinforced Duratex™ construction with three-layer seams for years of active use. The climbing walls angle inward for added stability, while the soaker mesh floor creates an interior splash zone for creative play. Use the Spire 6.8 as a standalone accessory, or connect it to other Aquaglide waterpark accessories on all four sides.

Includes:

- Spire 6.8
- Repair Kit

Not Included:

- Anchor bags
- Mooring lines
- Inflation pump
- Boarding platform

Recommended Items:

- Hurricane 110v 3.6 Pump
- Tornado 110v 2.5 Pump
- Turbo 2.3 Pump
- Complete Mooring Line, 19 ft (5.79m)

Best For:

- Climbing, obstacle.

Warranty:

- Limited 3-year Residential
- 1-year light Commercial

Material:

- 0.70 mm / 25 oz

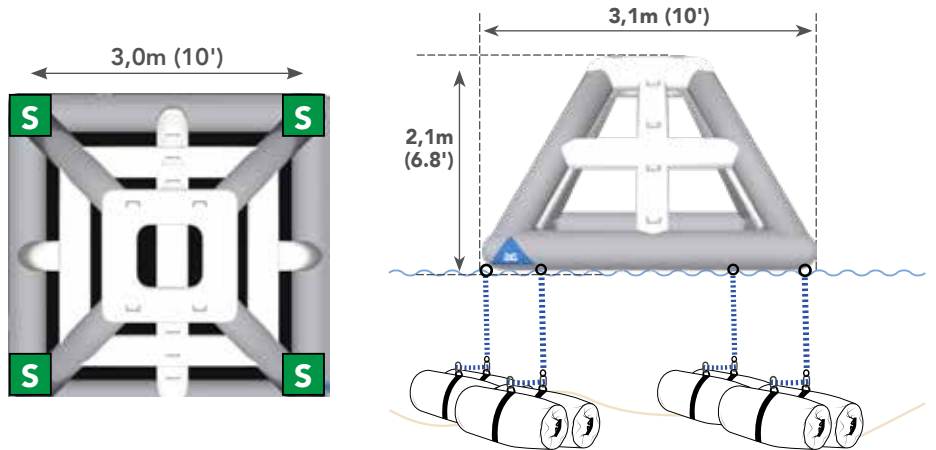
Construction:

- Welded 3 layer seams

Mooring Diagram

* We recommend using Aquaglide mooring lines and weight recommendations as a starting point. Weighted anchors can be either poured concrete or Aquaglide's Lakefront Anchoring System.

It is the responsibility of the owner/ operator to consider the needs of their specific site, to monitor anchored items, and to make adjustments as necessary. Some circumstances may require additional weight or different types of mooring.



| | | | | | |
|---|--|--|--|--|---|
| USERS
ADULT / CHILD
4 4 | MAX WEIGHT
CAPACITY KG LBS.
363 kg
(800 lbs.) | MINIMUM
WATER DEPTH
1,94m
(6.4ft) | MIN. DISTANCE
AWAY M FT
4,5m
(15ft) | MIN. TOTAL
ANCHOR WEIGHT
400 kg
(1000 lbs.) | MIN. WEIGHT
PER ANCHOR
100 kg
(250 lbs.) |
| NUMBER OF
ANCHOR WEIGHTS
4 | ANCHOR
RINGS
4 | VERTICAL
MOORING LINES
4 | D-RINGS
5 5 5 5 | WORKING
PRESSURE
MAIN [1]
2.0psi
(0,138 bar) | |

© Copyright 2023 Aquaglide | Proprietary + Confidential

US MAP: \$649.99

Item Number: 585221125

SKU: 0790628045186

Dimensions: L 12' x W 5.4' x H 3'
(L 3.7m x W 1.7m x H 1m)

Box Dimensions:

L 23" x W 17" x H 12", 36 lbs. 1 pc.
(L 58cm x W 42cm x H 30cm, 15.2 kg)

As one of our most popular accessories, the Launch Bag quickly becomes the life of any water party by using the forces of gravity and air pressure to hurl you up into the air and down for a splash-landing. The Launch Bag requires two people to use and must be connected to an Aquaglide inflatable base feature such as a trampoline, bouncer, or spire. Fully welded, reinforced Duratex™ construction with three-layer seams means this product is built to endure years of use. As we've heard it often described, the Launch Bag is the ideal waterpark accessory for "off the hook" fun with family and friends.



Includes:

- Launch Bag
- Repair kit

Not Included:

- Anchor bags
- Mooring lines
- Bridle
- Inflation pump

Recommended Items:

- Hurricane 110v 3.6 Pump
- Complete Mooring Line, 19 ft (5.79m)

Best For:

- Launching.

Warranty:

- Limited 3-year Residential
- 1-year light Commercial.

Material:

- 0.70 mm / 25oz PVC weight

Construction:

- Double I-Beam Wedge
- Welded 3 layer seam

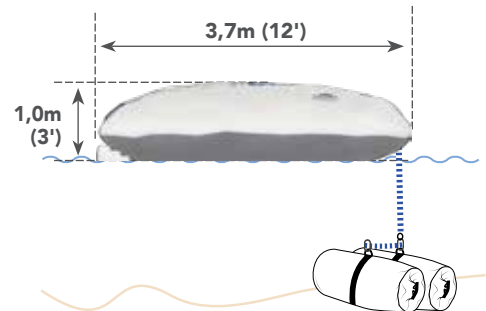
Mooring Diagram (optional)

* We recommend using Aquaglide mooring lines and weight recommendations as a starting point. Weighted anchors can be either poured concrete or Aquaglide's Lakefront Anchoring System.

It is the responsibility of the owner/ operator to consider the needs of their specific site, to monitor anchored items, and to make adjustments as necessary. Some circumstances may require additional weight or different types of mooring.



S



| | | | | | |
|---|----------------------------------|-----------------------------|------------------------------|--|---------------------------|
| USERS
ADULT / CHILD | MAX WEIGHT
CAPACITY KG LBS. | MINIMUM
WATER DEPTH | MIN. DISTANCE
AWAY M FT | MIN. TOTAL
ANCHOR WEIGHT | MIN. WEIGHT
PER ANCHOR |
| 2 2 | 181 kg
(400 lbs.) | 2,44m
(8ft) | 12m
(40ft) | 100 kg
(250 lbs.) | 100 kg
(250 lbs.) |
| NUMBER OF
ANCHOR WEIGHTS
(OPTIONAL) | | STRUCTURAL
MOORING LINES | D-RINGS | WORKING
PRESSURE | |
| 1
OPTIONAL | 5
VARIO | 1 | 5 | WEDGE [1]
1.0 psi (0,069 bar)
BAG [2]
No Pressure -
Valve=50% fill | |

© Copyright 2023 Aquaglide | Proprietary + Confidential

50/50 LOG

US MAP: \$429.99

Item Number: 585221128

SKU: 0790628045216

Dimensions: L 1.6' x W 1.6' x H 9.3'
(L 0.5m x W 0.5m x H 2.8m)

Box Dimensions:

L 70" x W 13" x H 10", 55 lbs.
(L 170cm x W 32cm x H 25cm, 24.6 kg)

The 50/50 Log is a challenging balance feature that gets its name from your chances of reaching the end without taking an unintended swim. Our log adds fun and diversity to any Recoil tramp or Ricochet bouncer and connects with pre-installed log D-rings. The 50/50 Log is not intended as a standalone item or use with waterpark products from other brands.

Includes:

- 50/50 Log
- 2 Velcro straps
- Repair kit

Not Included:

- Anchor bags
- Mooring lines
- Inflation pump

Recommended Items:

- Accelerator HP 12v 20 Pump
- Aquapark 110v 7.3 Pump
- Complete Mooring Line, 19 ft (5.79m)

Best For:

- Bounce, slide and balance with this perfect combination of aquapark pieces.

Warranty:

- Limited 3-year Lakefront
- 1-year light Commercial

Construction:

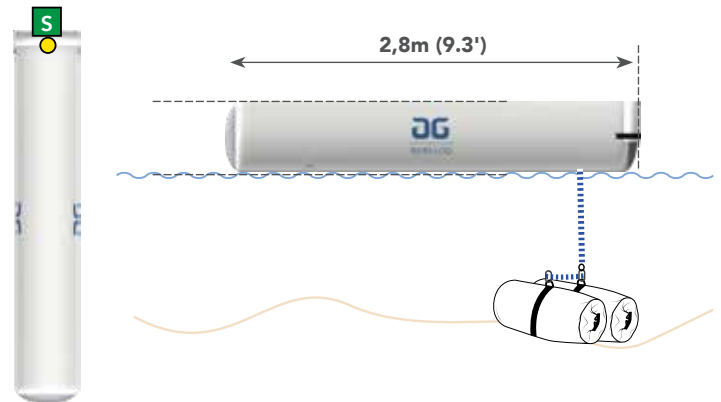
- 0.7 mm - 25oz material



Mooring Diagram (optional)

* We recommend using Aquaglide mooring lines and weight recommendations as a starting point. Weighted anchors can be either poured concrete or Aquaglide's Lakefront Anchoring System.

It is the responsibility of the owner/ operator to consider the needs of their specific site, to monitor anchored items, and to make adjustments as necessary. Some circumstances may require additional weight or different types of mooring.



| | | | | | |
|---|--|--|--|---|---|
| USERS
ADULT / CHILD
1 1 | MAX WEIGHT
CAPACITY KG LBS.
114 kg
(250 lbs.) | MINIMUM
WATER DEPTH
1,21m
(4ft) | MIN. DISTANCE AWAY
M FT
3,0m
(10ft) | MIN. TOTAL
ANCHOR WEIGHT
100 kg
(250 lbs.) | MIN. ANCHOR
PER WEIGHT
100 kg
(250 lbs.) |
| NUMBER OF
ANCHOR WEIGHTS
(OPTIONAL)
1 | ANCHOR
RINGS
1 | VERTICAL
MOORING LINES
1 | STRAPS
2
Velcro Straps | D-RINGS
5 5 | WORKING PRESSURE
Main [1]
1.0psi
(0,069bar) |

© Copyright 2023 Aquaglide | Proprietary + Confidential

C-DECK

US MAP: \$269.99

Item Number: 585221133

SKU: 0790828046060

Dimensions: L 4.7' x W 3.5' x H 0.7'
(L 1.4m x W 1.1m x H 0.2m)

Box Dimensions:

L 22" x W 13" x H 6", 13.7 lbs. 1 pc
(L 55cm x W 33cm x H 15cm, 6.2 kg)

Our C-Deck provides a flat surface with integrated grab handles that make boarding much easier than rope ladders. Fully welded, reinforced Duratex™ construction provides a durable and cost-effective boarding solution that connects to the Recoil tramp and Ricochet bouncer. We include a C-Deck with all AquaGlide Recoil tramp and Ricochet bouncer models.

Includes:

- C-Deck
- 3 Vario straps
- Repair kit

Not Included:

- Inflation pump

Recommended Items:

- Hurricane 110v 3.6 Pump
- Tornado 110v 2.5 Pump
- Turbo 2.3 Pump

Best For:

- Loading / Unloading

Warranty:

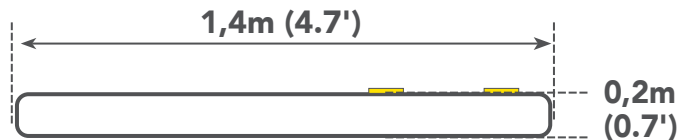
- Limited 3-year Residential
- 1-year light Commercial

Material:

- 0.70 mm / 25 oz

Construction:

- I-Beam - welded 3 layer seam



| | | | |
|--|--|--|--|
| USERS
ADULT / CHILD
1 1 | MAX WEIGHT
CAPACITY KG LBS.
114 kg
(250 lbs.) | MINIMUM
WATER DEPTH
1,21m
(4ft) | MIN. DISTANCE AWAY
M FT
3m
(10ft) |
| NO
ANCHORING
REQUIRED | STRAPS
3
Vario Straps | D-RINGS
3 | WORKING
PRESSURE
MAIN [1]
0.8 psi (0,055) bar |

© Copyright 2023 AquaGlide | Proprietary + Confidential

HALF DECK 7.5

US MAP: \$649.99

Item Number: 585221132

SKU: 0790628045261

Dimensions: L 7.5' x W 5.1' x H 0.3'
(L 2.29m x W 1.55m x H 0.1m)

Box Dimensions:

L 70" x W 10" x H 8", 34 lbs
(L 170cm x W 25cm x H 20cm, 15.0 kg)



Made from fully welded 10cm drop-stitch, the Half Deck 7.5 is an inflatable platform that does double-duty as a superior replacement for foam mats, which are hard on sensitive skin, less rigid, and lack long-term durability; but can also be used as a walkway, slideway, and boarding platform that connects to any Aquaglide residential waterpark feature on both ends. Rigid drop-stitch construction results in a durable platform that's easy to board from the water and adds extra play surface area.

Includes:

- Half Deck 7.5
- 10 Vario Lock™ straps
- Repair kit

Not Included:

- Anchor bags
- Mooring lines
- Inflation pump

Recommended Items:

- Accelerator HP 12v 20 Pump
- Aquapark 110v 7.3 Pump
- Complete Mooring Line, 19 ft (5.79m)

Best For:

- Slipin' and slidin'

Warranty:

- Limited 3-year Lakefront
- 1-year light Commercial

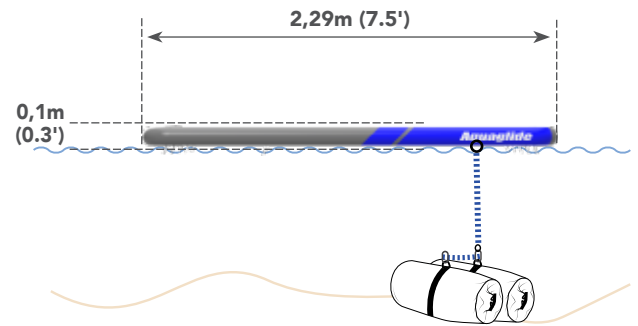
Construction:

- 10cm dropstitch

Mooring Diagram (optional)

* We recommend using Aquaglide mooring lines and weight recommendations as a starting point. Weighted anchors can be either poured concrete or Aquaglide's Lakefront Anchoring System.

It is the responsibility of the owner/ operator to consider the needs of their specific site, to monitor anchored items, and to make adjustments as necessary. Some circumstances may require additional weight or different types of mooring.



0,5m
(1.6')

| | | | | | |
|---|----------------------------------|---------------------------|------------------------------|-----------------------------|----------------------------------|
| USERS
ADULT / CHILD | MAX WEIGHT
CAPACITY KG LBS. | MINIMUM
WATER DEPTH | MIN. DISTANCE AWAY
M FT | MIN. TOTAL
ANCHOR WEIGHT | MIN. ANCHOR
PER WEIGHT |
| 2 2 | 181 kg
(400 lbs.) | 0,96m
(3.2ft) | 3,0m
(10ft) | 100 kg
(250 lbs.) | 100 kg
(250 lbs.) |
| NUMBER OF
ANCHOR WEIGHTS
(OPTIONAL) | ANCHOR
RINGS | VERTICAL
MOORING LINES | STRAPS | D-RINGS | WORKING PRESSURE |
| 1 | 1 | 1 | 10
Vario Lock
Straps | 5 5 | Main [1]
5.0psi
(0,345bar) |

© Copyright 2023 Aquaglide | Proprietary + Confidential

US MAP: \$849.99

Item Number: 585221131

SKU: 0790628045254

Dimensions: L 15' x W 5.1' x H 0.3'
(L 4.57m x W 1.55m x H 0.1m)

Box Dimensions:

L 70" x W 13" x H 10", 55 lbs.
(L 170cm x W 32cm x H 25cm, 24.6 kg)



Don't let the placid appearance fool you; this fifteen-foot drop-stitch inflatable platform can be used as a walkway, slideway, and boarding platform that easily connects to any Aquaglide residential waterpark feature on both ends. Low-profile fully welded 10 cm drop-stitch construction results in a rigid and durable platform surface that's easy to board from the water and adds an extra play area for kids. The Full Deck 15.0 also makes a superior replacement for foam mats, which can be rough on sensitive skin, are less rigid, and lack long-term durability.

Includes:

- Full Deck 15.0
- 10 Vario Lock™ straps
- Repair kit

Not Included:

- Anchor bags
- Mooring lines
- Inflation pump

Recommended Items:

- Accelerator HP 12v 20 Pump
- Aquapark 110v 7.3 Pump
- Complete Mooring Line, 19 ft (5.79m)

Best For:

- Slipin' and slidin'

Warranty:

- Limited 3-year Lakefront
- 1-year light Commercial

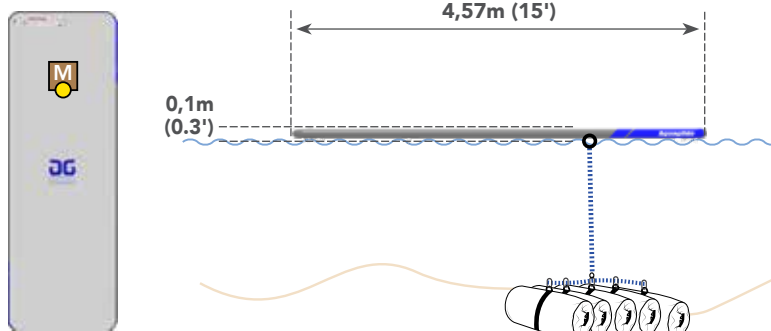
Construction:

- 10cm dropstitch

Mooring Diagram (optional)

* We recommend using Aquaglide mooring lines and weight recommendations as a starting point. Weighted anchors can be either poured concrete or Aquaglide's Lakefront Anchoring System.

It is the responsibility of the owner/ operator to consider the needs of their specific site, to monitor anchored items, and to make adjustments as necessary. Some circumstances may require additional weight or different types of mooring.



| | | | | | |
|---|----------------------------------|---------------------------|------------------------------|-----------------------------|----------------------------------|
| USERS
ADULT / CHILD | MAX WEIGHT
CAPACITY KG LBS. | MINIMUM
WATER DEPTH | MIN. DISTANCE AWAY
M FT | MIN. TOTAL
ANCHOR WEIGHT | MIN. ANCHOR
PER WEIGHT |
| 4 4 | 363 kg
(800 lbs.) | 0,96m
(3.2ft) | 3,0m
(10ft) | 250 kg
(500 lbs.) | 250 kg
(500 lbs.) |
| NUMBER OF
ANCHOR WEIGHTS
(OPTIONAL) | ANCHOR
RINGS | VERTICAL
MOORING LINES | STRAPS | D-RINGS | WORKING PRESSURE |
| 1 | 1 | 1 | 10
Vario Lock
Straps | 5 5 | Main [1]
5.0psi
(0,345bar) |

© Copyright 2023 Aquaglide | Proprietary + Confidential

SOLARIUM

US MAP: \$1,099.99

Item Number: 585221115

SKU: 0790628045070

Dimensions: L 10' x W 4.2' x H 0.5'
(L 3.05m x W 1.6m x H 0.15m)

Box Dimensions:

L 67" x W 13" x H 10", 67.5 lb.
(L 170cm x W 32cm x H 25cm, 30,6 kg)



Part of the Aquaglide Lounge Series, the Solarium is a waterfront social lounge deck ideal for family-sized groups. Bask in the sun while others take their beverages in the shade by connecting the Solarium to one or more of our shaded Liquid Lounges. The Solarium can be used as a standalone accessory or extra social space on any Aquaglide park layout.

Includes:

- Solarium
- 14 Vario Lock™ straps
- Repair kit

Not Included:

- Anchor bags
- Mooring lines
- Inflation pump

Recommended Items:

- Accelerator HP 12v 20 Pump
- Aquapark 110v 7.3 Pump
- Complete Mooring Line, 19 ft (5.79m)

Best For:

- Socializing, lounging, and sunning

Warranty:

- Limited 3-year Lakefront
- 1-year light Commercial

Material:

- 15 cm dropstitch single layer

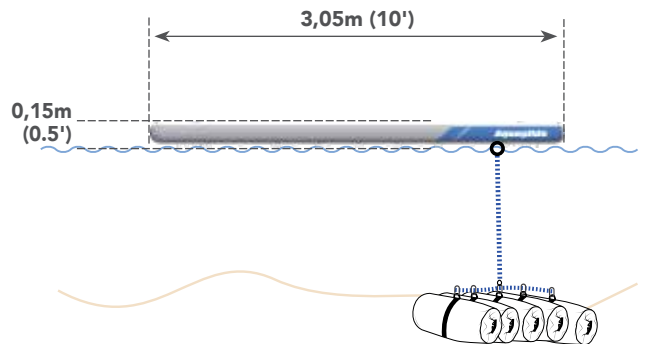
Construction:

- Welded dropstitch

Mooring Diagram

* We recommend using Aquaglide mooring lines and weight recommendations as a starting point. Weighted anchors can be either poured concrete or Aquaglide's Lakefront Anchoring System.

It is the responsibility of the owner/ operator to consider the needs of their specific site, to monitor anchored items, and to make adjustments as necessary. Some circumstances may require additional weight or different types of mooring.



| | | | | | |
|-----------------------------|----------------------------------|---------------------------|------------------------------|-----------------------------|-------------------------------|
| USERS
ADULT / CHILD | MAX WEIGHT
CAPACITY KG LBS. | MINIMUM
WATER DEPTH | MIN. DISTANCE AWAY
M FT | MIN. TOTAL
ANCHOR WEIGHT | MIN. WEIGHT
PER ANCHOR |
| 5 5 | 454 kg
(1000 lbs.) | 0,98m
(3.3ft) | 3,0m
(10ft) | 250 kg
(500 lbs.) | 250 kg
(500 lbs.) |
| NUMBER OF
ANCHOR WEIGHTS | ANCHOR
RINGS | VERTICAL
MOORING LINES | STRAPS | D-RINGS | WORKING PRESSURE |
| 1 | 1 | 1 | 14
Vario Lock
Straps | 7 5 7 5 | Main [1] 6.0psi
(0,414bar) |

© Copyright 2023 Aquaglide | Proprietary + Confidential

US MAP: \$599.99

Item Number: 585225102

SKU: 0790628046992

Dimensions: L 5' x W 5' x H 1.9'
(L 1.524m x W 1.524m x H 0.579m)

Box Dimensions:

L 26.8" x W 17.7" x H 7.9", 37.0 lb.
(L 68cm x W 45cm x H 20cm, 16.8 kg)

Extra-easy boarding feature improves access for users of all ages and abilities. Puts an end to 'beached whale' boarding by providing a stepped ramp and plentiful handles. Allows convenient re-boarding from the water, even for users with limited fitness. Connects on 1 side using Aquaglide 5-Ring connection and 2-Step Vario straps, included.

**Note: Aquaglide feature items sold separately*



Includes:

- Swimstairs Lake
- 2-Step Vario Lock™ straps (5pcs.)
- Repair kit

Not Included:

- Aquaglide feature item(s)
- Inflation pump

Recommended Items:

- Aquapark Rechargeable Pump 120v 25
- Aquapark 110v 7.3 Pump

Best For:

- Extra-easy boarding access to Aquaglide Main Feature items.

Warranty:

- Limited 3-year Lakefront
- 1-year light Commercial

Material:

- 15 cm dropstitch single layer

Construction:

- Welded dropstitch

| | | | | | |
|-----------------------------|----------------------------------|---------------------------|----------------------------------|-----------------------------|----------------------------------|
| USERS
ADULT / CHILD | MAX WEIGHT
CAPACITY KG LBS. | MINIMUM
WATER DEPTH | MIN. DISTANCE AWAY
M FT | MIN. TOTAL
ANCHOR WEIGHT | MIN. WEIGHT
PER ANCHOR |
| 1 1 | 113 kg
(250 lbs.) | 0,98m
(3.2ft) | 3,0m
(10ft) | 0 kg
(0 lbs.) | 0 kg
(0 lbs.) |
| NUMBER OF
ANCHOR WEIGHTS | ANCHOR
RINGS | VERTICAL
MOORING LINES | STRAPS | D-RINGS | WORKING PRESSURE |
| 0 | 0 | 0 | 5
2-Step Vario
Lock Straps | 5 0 0 0 | Main [1]
5.0psi
(0,345bar) |

© Copyright 2023 Aquaglide | Proprietary + Confidential

SOAKER LOUNGE

US MAP: \$649.99

Item Number: 585221119

SKU: 0790628045100

Dimensions: L 10' x W 8.8' x H 1'
(L3.05m x W 2.67m x H 0.32m)

Box Dimensions:

L 28" x W 16" x H 9", 37.5 lbs.
(L 70cm x W 40cm x H 22cm, 17 kg)



Made specifically for chillin' on the water with family or friends, the soaker lounge offers a little something for everyone. With four drink holders and a soaker mesh floor it's the perfect place for adults to enjoy a cool beverage, but it also makes a nice perimeter for younger kids to splash and play. Can be used as a stand-alone item or connected to any residential park on two sides.

Includes:

- Soaker Lounge
- Repair kit

Not Included:

- Anchor bags
- Mooring lines
- Inflation pump

Recommended Items:

- Hurricane 110v 3.6 Pump
- Complete Mooring Line, 19 ft (5,79m)

Best For:

- Beating the summer heat with friends and family at the lake.

Warranty:

- 3-year limited Residential
- 1-year light Commercial against any manufacturing defects.

Material:

- 0.70 mm / 25 oz.

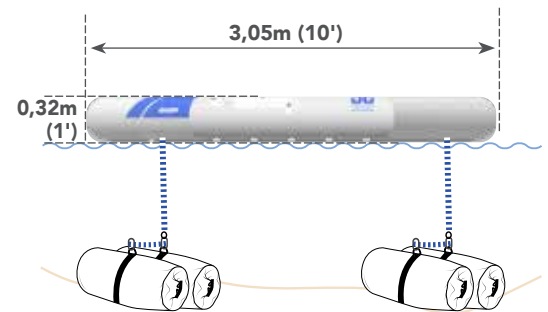
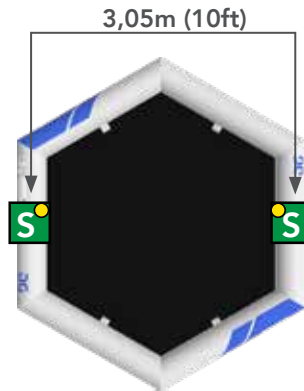
Construction:

- Tubular

Mooring Diagram

* We recommend using Aquaglide mooring lines and weight recommendations as a starting point. Weighted anchors can be either poured concrete or Aquaglide's Lakefront Anchoring System.

It is the responsibility of the owner/ operator to consider the needs of their specific site, to monitor anchored items, and to make adjustments as necessary. Some circumstances may require additional weight or different types of mooring.



| | | | | |
|---------------------------|----------------------------------|------------------------|------------------------------|---------------------------------|
| USERS
ADULT / CHILD | MAX WEIGHT
CAPACITY KG LBS. | MINIMUM
WATER DEPTH | MIN. DISTANCE AWAY
M FT | MIN. TOTAL
ANCHOR WEIGHT |
| 5 6 | 363 kg
(800 lbs.) | 1,07m
(3.5ft) | 3m
(10ft) | 200 kg
(500 lbs.) |
| MIN. WEIGHT
PER ANCHOR | NUMBER OF
ANCHOR WEIGHTS | ANCHOR
RINGS | D-RINGS | WORKING
PRESSURE |
| 100 kg
(250 lbs.) | 2 | 2 | 5 5 | MAIN [1] 1.2 psi
(0,083 bar) |

© Copyright 2023 Aquaglide | Proprietary + Confidential

US MAP: \$799.99

Item Number: 585224113

SKU: 0 7 90628 04673 2

Dimensions: L 7'0" x W 6'0" x H 1'4"
(L 2.13m x W 1.82m x H 0.40m)

Box Dimensions:

L 28.3" x W 17.7" x H 8.7", 27.6 lbs.
(L 72cm x W 45cm x H 22cm, 12.5 kg)

Absolutely the best way to cap off a great day on the water! Designed around the needs of boaters and others who center their lives on the water. Made with ultralight dropstitch - weighs under 25 pounds. Maximum lounge-ability while still fitting in most normal boat storage spaces. Two generous boarding areas, bolster backrests and a footwell to keep things cool. Includes padded handles, drinkholders, top and bottom anchor points for easy attachment to boat or anchor.



Includes:

- Backside Lounge
- Repair kit

Not Included:

- Anchor weights
- Mooring lines
- Inflation pump

Recommended Items:

- Hurricane 110v 3.6 Pump
- Lakefront Anchor Bag Complete

Best For:

- Beating summer heat with friends and family at the lake.

Warranty:

- 3-year limited Residential
- 1-year light Commercial against any manufacturing defects.

Material:

- 0.70 mm / 25 oz.

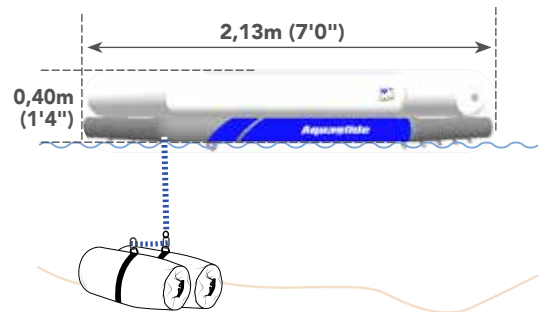
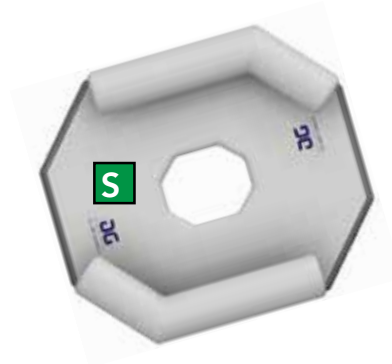
Construction:

- 10cm Ultralight Dropstitch, Tubular

Mooring Diagram

* We recommend using Aquaglide mooring lines and weight recommendations as a starting point. Weighted anchors can be either poured concrete or Aquaglide's Lakefront Anchoring System.

It is the responsibility of the owner/ operator to consider the needs of their specific site, to monitor anchored items, and to make adjustments as necessary. Some circumstances may require additional weight or different types of mooring.



| | | | | |
|---------------------------|----------------------------------|------------------------|------------------------------|--|
| USERS
ADULT / CHILD | MAX WEIGHT
CAPACITY KG LBS. | MINIMUM
WATER DEPTH | MIN. DISTANCE AWAY
M FT | MIN. TOTAL
ANCHOR WEIGHT |
| 4 4 | 272 kg
(600 lbs.) | 1,10m
(3.6ft) | 3m
(10ft) | 100 kg
(250 lbs.) |
| MIN. WEIGHT
PER ANCHOR | NUMBER OF
ANCHOR WEIGHTS | ANCHOR
RINGS | D-RINGS | WORKING
PRESSURE |
| 100 kg
(250 lbs.) | 1 | 2 | 5 | MAIN [1] 5.0 psi
(0,340 bar), TUBE [2]
2.0 psi (0,138 bar) |

© Copyright 2023 Aquaglide | Proprietary + Confidential

LAZY LOUNGE

US MAP: \$1,099.99

Item Number: 585221120

SKU: 0790628045117

Dimensions: L 8.9' x W 10.1' x H 1.5'
(L 2.72m x W 3.09m x H 0.45m)

Box Dimensions:

L 30" x W 22" x H 10", 66.1 lbs.
(L 76cm x W 56cm x H 25cm, 30 kg)



During the dog days of summer, the Lazy lounge is the place to be when out on the water. The Lazy Lounge has room to comfortably seat up to six adults or children with its spacious drop-stitch platform and comfortable backrests. Integrated soaker mesh footwell and four drink holders help you cool off and hydrate during those hot and humid mid-summer days. Use the Lazy Lounge as a standalone item or connect it to other Aquaglide residential park accessories.

Includes:

- Lazy Lounge
- Repair kit

Not Included:

- Anchor weights
- Mooring lines
- Inflation pump

Recommended Items:

- Hurricane 110v 3.6 Pump
- Complete Mooring Line, 19 ft (5.79m)

Best For:

- Beating the summer heat with friends and family at the lake.

Warranty:

- 3-year limited Residential
- 1-year light Commercial against any manufacturing defects.

Material:

- 0.70 mm / 25 oz.

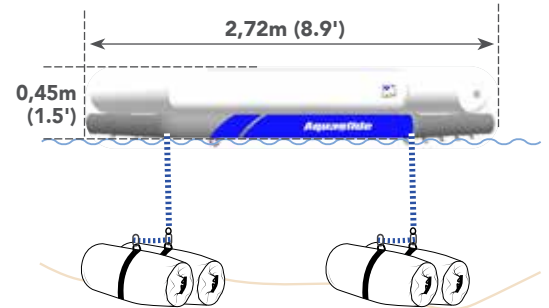
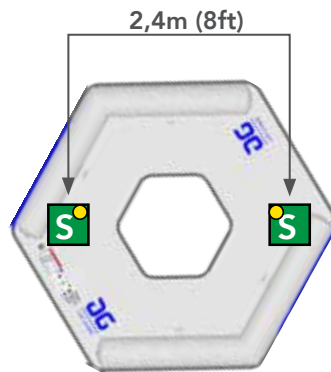
Construction:

- 15cm Dropstitch, Tubular

Mooring Diagram

* We recommend using Aquaglide mooring lines and weight recommendations as a starting point. Weighted anchors can be either poured concrete or Aquaglide's Lakefront Anchoring System.

It is the responsibility of the owner/ operator to consider the needs of their specific site, to monitor anchored items, and to make adjustments as necessary. Some circumstances may require additional weight or different types of mooring.



| | | | | |
|---------------------------|----------------------------------|------------------------|------------------------------|--|
| USERS
ADULT / CHILD | MAX WEIGHT
CAPACITY KG LBS. | MINIMUM
WATER DEPTH | MIN. DISTANCE AWAY
M FT | MIN. TOTAL
ANCHOR WEIGHT |
| 6 6 | 363 kg
(800 lbs.) | 1,13m
(3.7ft) | 3m
(10ft) | 200 kg
(500 lbs.) |
| MIN. WEIGHT
PER ANCHOR | NUMBER OF
ANCHOR WEIGHTS | ANCHOR
RINGS | D-RINGS | WORKING
PRESSURE |
| 100 kg
(250 lbs.) | 2 | 2 | 5 5 | MAIN [1] 6.0 psi
(0,414 bar), TUBE [2]
2.0 psi (0,138 bar) |

© Copyright 2023 Aquaglide | Proprietary + Confidential

US MAP: \$2,299.99

Item Number: 585222157

SKU: 0790628046053

Dimensions: L 14.7' x W 14.7' x H 2'
(L 4.5m x W 4.5m x H 0.6m)

Box Dimensions:

L 36" x W 32" x H 14", 143.3 lb.
(L 90cm x W x 80cm x H 35cm, 65 kg)



As part of Aquaglide's Liquid Lounge series, the C Lounge offers something a little different. This C-shaped platform offers easy swim-up access, plentiful seating and an integrated cooler drop for 'chillaxing' in the sunshine! Easily accommodates up to eight users with spacious seating and comfy backrest. Use as a standalone VIP lounge or connect it to other Aquaglide park items or lounges on up to two sides with our Interlock system.

Includes:

- C-Lounge
- Repair kit

Not Included:

- Anchor weights
- Mooring lines
- Inflation pump

Recommended Items:

- Accelerator HP 12v 20 Pump
- Aquapark 110v 7.3 Pump
- Complete Mooring Line, 19 ft (5.79m)

Best For:

- Socializing, lounging, and sunning

Warranty:

- Limited 3-year Lakefront
- 1-year light Commercial

Material:

- Welded dropstitch 15cm + 0.90mm Cx3

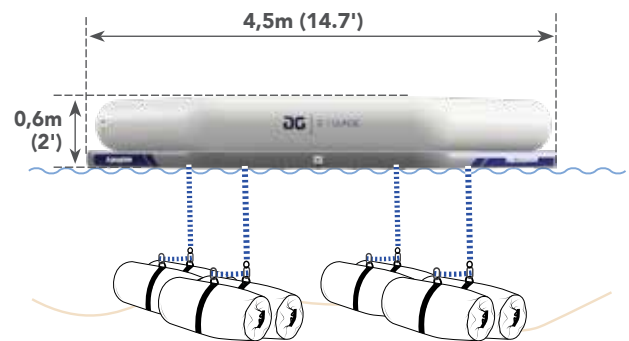
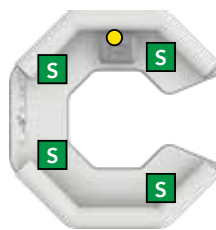
Construction:

- Welded DS w/ tubular

Mooring Diagram

* We recommend using Aquaglide mooring lines and weight recommendations as a starting point. Weighted anchors can be either poured concrete or Aquaglide's Lakefront Anchoring System.

It is the responsibility of the owner/ operator to consider the needs of their specific site, to monitor anchored items, and to make adjustments as necessary. Some circumstances may require additional weight or different types of mooring.



| | | | | | |
|---|---|--|--|---|---|
| USERS
ADULT / CHILD
8 8 | MAX WEIGHT
CAPACITY KG LBS.
726 kg
(1600 lbs.) | MINIMUM
WATER DEPTH
0,98m
(3.3ft) | MIN. DISTANCE AWAY
M FT
3,0m
(10ft) | MIN. TOTAL
ANCHOR WEIGHT
400 kg
(1000 lbs.) | MIN. WEIGHT
PER ANCHOR
100 kg
(250 lbs.) |
| NUMBER OF
ANCHOR WEIGHTS
4 | ANCHOR
RINGS
4 | VERTICAL
MOORING LINES
4 | D-RINGS
5 5 | WORKING PRESSURE
Main [1] 6.0psi
(0,414bar)
Backrest [2] 2.0psi
(0,138 bar)
Backrest [3] 2.0psi
(0,138 bar) | |

RIVIERA LOUNGE

US MAP: \$2,499.99

Item Number: 585221112

SKU: 0790628044448

Dimensions: L 10' x W 10' x H 7.5'
(L 3.05m x W 3.05m x H 2.27m)

Box Dimensions:

L 115cm x W 75cm x H 25cm, 47 kg

As part of Aquaglide's Liquid Lounge series, the Riviera is where everyone wants to be! Featuring half-moon cutouts, integrated cupholders and a central cooler-drop feature, guests can lounge on the shaded deck or sidle up to one of eight integrated cupholders from the water. Accommodates up to six users on deck and creates a versatile social space or VIP lounge. Use Riviera Lounge as a standalone item or connect it to other Aquaglide Aquapark accessories on two sides.



Includes:

- Riviera Lounge
- Repair kit

Not Included:

- Anchor bags
- Mooring lines
- Vario Lock™ straps
- Inflation pum

Recommended Items:

- Accelerator HP 12v 20 Pump
- Aquapark 110v 7.3 Pump
- Complete Mooring Line, 19 ft (5.79m)

Best For:

- Socializing and lounging

Warranty:

- Limited 3-year Lakefront
- 1-year light Commercial

Material:

- Welded DS 15cm + 0.90mm Cx3

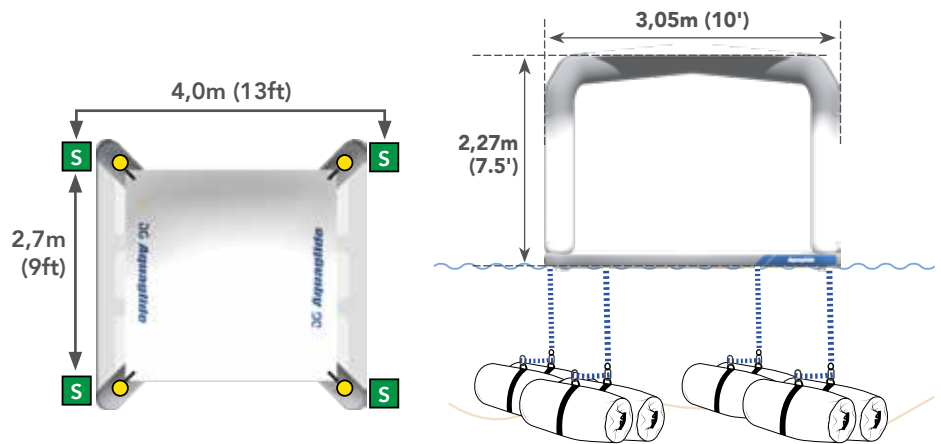
Construction:

- Welded Dropstitch w/ tubular

Mooring Diagram

* We recommend using Aquaglide mooring lines and weight recommendations as a starting point. Weighted anchors can be either poured concrete or Aquaglide's Lakefront Anchoring System.

It is the responsibility of the owner/ operator to consider the needs of their specific site, to monitor anchored items, and to make adjustments as necessary. Some circumstances may require additional weight or different types of mooring.



| | | | | | |
|-----------------------------|----------------------------------|---------------------------|------------------------------|--|---------------------------|
| USERS
ADULT / CHILD | MAX WEIGHT
CAPACITY KG LBS. | MINIMUM
WATER DEPTH | MIN. DISTANCE AWAY
M FT | MIN. TOTAL
ANCHOR WEIGHT | MIN. WEIGHT
PER ANCHOR |
| 6 6 | 544 kg
(1200 lbs.) | 0,98m
(3.3ft) | 3,0m
(10ft) | 400 kg
(1000 lbs.) | 100 kg
(250 lbs.) |
| NUMBER OF
ANCHOR WEIGHTS | ANCHOR
RINGS | VERTICAL
MOORING LINES | D-RINGS | WORKING PRESSURE | |
| 4 | 4 | 4 | 7 0 7 0 | Main [1] 6.0psi
(0,414bar),
UPPER [2] 4.0psi
(0,276bar) | |

© Copyright 2023 Aquaglide | Proprietary + Confidential

O.G. LOUNGE

US MAP: \$3,199.99

Item Number: 585221110

SKU: 0790628044424

Dimensions: L 10' x W 10' x H 7.5'
(L 3.05m x W 3.05m x H 2.27m)

Box Dimensions:

L 115cm x W 75cm x H 50cm, 90kg



As part of Aquaglide's Lounge series, the OG Lounge is an ideal waterfront hangout for family-sized groups. With its integrated barstool seating, raised table, cupholders, and shaded canopy top, the OG Lounge accommodates up to six users and creates a versatile on-the-water social space. Use the OG Lounge as a standalone item or connect it to other Aquaglide accessories.

Includes:

- O.G. Lounge
- Repair kit

Not Included:

- Anchor bags
- Mooring lines
- Vario Lock™ straps
- Inflation pump

Recommended Items:

- Accelerator HP 12v 20 Pump
- Aquapark 110v 7.3 Pump
- Complete Mooring Line, 19 ft (5.79m)

Best For:

- Socializing and lounging

Warranty:

- Limited 3-year Lakefront
- 1-year light Commercial

Material:

- Welded DS 15cm + 0.90mm Cx3

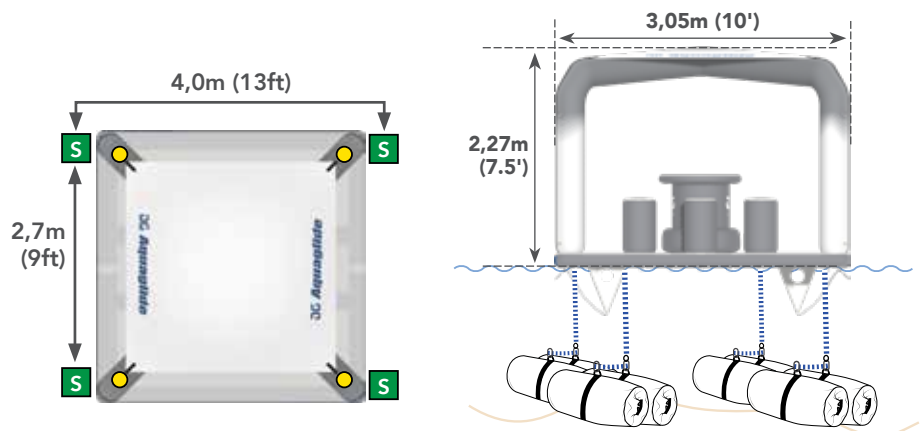
Construction:

- Welded structural tube construction with 3-layer seams

Mooring Diagram (optional)

* We recommend using Aquaglide mooring lines and weight recommendations as a starting point. Weighted anchors can be either poured concrete or Aquaglide's Lakefront Anchoring System.

It is the responsibility of the owner/ operator to consider the needs of their specific site, to monitor anchored items, and to make adjustments as necessary. Some circumstances may require additional weight or different types of mooring.



| | | | | | |
|---|---|--|--|---|---|
| USERS
ADULT / CHILD
6 6 | MAX WEIGHT
CAPACITY KG LBS.
544 kg
(1200 lbs.) | MINIMUM
WATER DEPTH
0,98m
(3.3ft) | MIN. DISTANCE AWAY
M FT
3,3m
(10ft) | MIN. TOTAL
ANCHOR WEIGHT
400 kg
(1000 lbs.) | MIN. WEIGHT
PER ANCHOR
100 kg
(250 lbs.) |
| NUMBER OF
ANCHOR WEIGHTS
4 | ANCHOR
RINGS
4 | VERTICAL
MOORING LINES
4 | D-RINGS
7 0 7 0 | WORKING PRESSURE
Main [1] 6.0psi
(0,414bar), Upper [2]
4.0psi (0,276bar), Base
[3] 1.2psi (0,083bar),
Table [4] 5.0psi
(0,345bar), Seats [5]
1.5psi (0,103bar) | |

OHANA LOUNGE

US MAP: \$3,199.99

Item Number: 585221111

SKU: 0790628044431

Dimensions: L 10' x W 10' x H 7.44'
(L 3.05m x W 3.05m x H 2.27m)

Box Dimensions:

L 115cm x W 75cm x H 45cm, 85kg

The Ohana Lounge is an ideal waterfront social lounge for family-sized groups. This lounge features two comfy bench seats, a table with integrated cupholders, mesh-bottom cooler cutout, and a shaded canopy cover for maximum relaxation. The Ohana Lounge accommodates six users and can be used as a standalone feature or as part of any Aquaglide park layout.

Includes:

- Ohana Lounge
- Repair kit

Not Included:

- Anchor bags
- Mooring lines
- Vario Lock™ straps
- Inflation pump

Recommended Items:

- Accelerator HP 12v 20 Pump
- Aquapark 110v 7.3 Pump
- Complete Mooring Line, 19 ft (5.79m)

Best For:

- Socializing and lounging

Warranty:

- Limited 3-year Lakefront
- 1-year light Commercial

Material:

- Welded DS 15cm + 0.90mm Cx3

Construction:

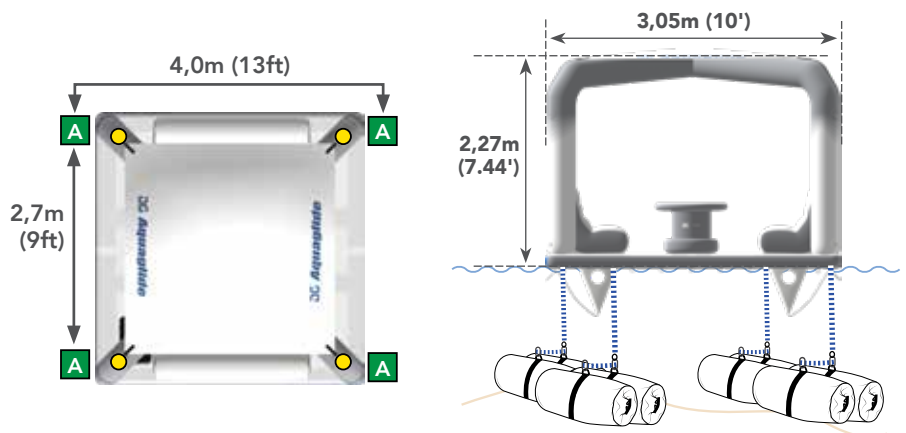
- Welded structural tube construction with 3-layer seams



Mooring Diagram

* We recommend using Aquaglide mooring lines and weight recommendations as a starting point. Weighted anchors can be either poured concrete or Aquaglide's Lakefront Anchoring System.

It is the responsibility of the owner/ operator to consider the needs of their specific site, to monitor anchored items, and to make adjustments as necessary. Some circumstances may require additional weight or different types of mooring.



| | | | | | |
|-----------------------------|----------------------------------|---------------------------|------------------------------|---|---------------------------|
| USERS
ADULT / CHILD | MAX WEIGHT
CAPACITY KG LBS. | MINIMUM
WATER DEPTH | MIN. DISTANCE AWAY
M FT | MIN. TOTAL
ANCHOR WEIGHT | MIN. WEIGHT
PER ANCHOR |
| 6 6 | 544 kg
(1200 lbs.) | 0,98m
(3.3ft) | 3,3m
(10ft) | 400 kg
(1000 lbs.) | 100 kg
(250 lbs.) |
| NUMBER OF
ANCHOR WEIGHTS | ANCHOR
RINGS | VERTICAL
MOORING LINES | D-RINGS | WORKING PRESSURE | |
| 4 | 4 | 4 | 7 0 7 0 | Main [1] 6.0psi
(0,414bar), Upper [2]
4.0psi (0,276bar), Base
[3] 1.2psi (0,083bar),
Table [4] 5.0psi
(0,345bar), Seats [5]
1.0psi (0,069bar) | |

© Copyright 2023 Aquaglide | Proprietary + Confidential

REVEL LOUNGE

US MAP: \$3,199.99

Item Number: 585221114

SKU: 0790628045056

Dimensions: L 10' x W 10' x H 7.44'
(L 3.05m x W 3.05m x H 2.27m)

Box Dimensions:

L 170cm x W 75cm x H 45cm, 90kg

Featuring laid-back tatami-style seating around a family-size table, the Revel Lounge includes inflatable backrests and mesh-bottom footwell and cooler cutouts. The entire layout sits beneath a canopy top cover for added shade. The Revel Lounge accommodates six users and can be used as a standalone accessory or as a social space in any Aquaglide park layout.



Includes:

- Revel Lounge
- Repair kit

Not Included:

- Anchor bags
- Mooring lines
- Vario Lock™ straps
- Inflation pump

Recommended Items:

- Accelerator HP 12v 20 Pump
- Aquapark 110v 7.3 Pump
- Complete Mooring Line, 19 ft (5.79m)

Best For:

- Socializing and lounging

Warranty:

- Limited 3-year Lakefront
- 1-year light Commercial

Material:

- Welded DS 15cm + 0.90mm Cx3

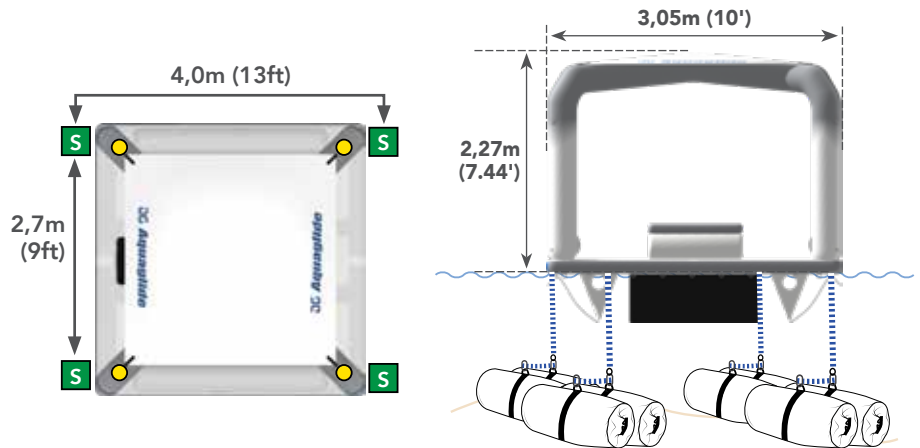
Construction:

- Welded structural tube construction with 3-layer seams

Mooring Diagram

* We recommend using Aquaglide mooring lines and weight recommendations as a starting point. Weighted anchors can be either poured concrete or Aquaglide's Lakefront Anchoring System.

It is the responsibility of the owner/ operator to consider the needs of their specific site, to monitor anchored items, and to make adjustments as necessary. Some circumstances may require additional weight or different types of mooring.



| | | | | | |
|---|---|--|--|---|---|
| USERS
ADULT / CHILD
6 6 | MAX WEIGHT
CAPACITY KG LBS.
544 kg
(1200 lbs.) | MINIMUM
WATER DEPTH
0,98m
(3.3ft) | MIN. DISTANCE AWAY
M FT
3,0m
(10ft) | MIN. TOTAL
ANCHOR WEIGHT
400 kg
(1000 lbs.) | MIN. WEIGHT
PER ANCHOR
100 kg
(250 lbs.) |
| NUMBER OF
ANCHOR WEIGHTS
4 | ANCHOR
RINGS
4 | VERTICAL
MOORING LINES
4 | D-RINGS
7 0 7 0 | WORKING PRESSURE
Main [1] 6.0psi
(0,414bar), Upper [2]
4.0psi (0,276bar), Base
[3] 1.2psi (0,083bar),
Table [4] 5.0psi
(0,345bar), Seats [5]
2.0psi (0,138bar) | |

LAKEFRONT MOORING

ANCHOR BAG COMPLETE SET

- Easy anchoring for day-use, lighter items.
- Adjustable from 1ft (31cm) to 20ft (6.1m) length.
- Holds up to 110lbs (50kg)

ANCHOR BAG ONLY

- Each holds up to 110lbs (50kg)
- Easily daisy-chained, linking 2 or more for heavier anchoring
- Works with Anchor Line

19' VERTICAL MOORING LINE PACKAGE (anchor bag sold separately)

- Heavy-duty bungee is best for heavy wave action/ long-term mooring.
- Adjustable from 5ft (1.3m) to 19' (5.9m) deep.
- Works with 2 or more Anchor Bags to make a single heavier anchor set complete.

ANCHOR LINE (anchor bag sold separately)

- Adjustable from 1ft (31cm) to 20 ft (6.1m) length.
- Works with 2 or more Anchor Bags
- Makes a singler heavier anchor set complete



PUMPS

HURRICANE 110v 3.6 PUMP

Quickly inflates kayaks, Lakefront aquaparks and small commercial parks. Maximum 3.6psi (0.25 bar). Air flow 70cfm (2000L/min). Includes 4ft (1.25m) of 40mm hose with HR, Boston and Stem fittings.

US MAP: \$114.99
Item number: 585318120
SKU: 0790628040556

ACCELERATOR HP 12v 20 PUMP

Ideally suited for modern SUPs and kayaks with high pressure dropstitch. This two-stage, digital pump makes quick work of inflating SUPs up to 20psi (1.37bar) with auto shut-off. Air flow 350L/min (stage 1), 70L/min (stage 2). Uses either 12v outlet or clip attachment. Includes 4ft (1.25m) hose with HR, Boston valve and stem fittings.

US MAP: \$159.99
Item number: 585321260
SKU: 0790628045513

TORNADO 110v 2.5 PUMP

A smaller version of the Hurricane pump, the Tornado 110v 2.5 is ideally suited for kayaks and small Lakefront aquaparks. Maximum 2.5psi (0.17bar). Air flow 56cfm (1600L/min). Includes 4ft (1.25m) of 25mm hose with HR, Boston and Stem fittings.

US MAP: \$99.99
Item number: 585318122
SKU: 0790628040570

AQUAPARK RECHARGEABLE 120v 25 PUMP

Finally! A powerful, portable pump designed for topping off large inflatable items like tramps and bouncers. Airflow 7.1 cfm (200 L/min), 25 psi max, digital controls and auto-shutoff. Includes 6.6ft (2m) of 25mm hose with 2 HR fittings.

US MAP: \$299.99
Item number: 585325101
SKU: 0790628047036





THE ULTIMATE PLAYGROUND



Extend your playable space, from your lakefront property to beside your boat. Jump, climb, slide, or lounge, the Lakefront collection offers something for everyone – with multiple configurations to build your perfect waterfront playground. From bouncing on a trampoline to relaxing on a lounge, limitless opportunities await, leaving a boring summer behind.



LAKEFRONT



VELOCITY SLIDE 10.0
\$4,399.99



VELOCITY SLIDE 6.0
\$2,099.99



SPIRE 6.8
\$2,099.99



SWIMSTAIRS LAKE
\$599.99



C-LOUNGE
\$2,299.99



SOAKER LOUNGE
\$649.99



LAZY LOUNGE
\$1,099.99



BACKSIDE LOUNGE
\$799.99



RICOCHET BOUNCER 12.0
\$1,099.99



RICOCHET BOUNCER 16.0
\$1,499.99



RECOIL TRAMP 14.0
\$2,099.99



RECOIL TRAMP 17.0
\$2,699.99



RICOCHET BOUNCER 12.0
AQUAPARK \$1,499.99



RICOCHET BOUNCER 16.0
AQUAPARK \$1,999.99



RECOIL TRAMP 14.0
AQUAPARK \$2,799.99



RECOIL TRAMP 17.0
AQUAPARK \$3,399.99

COLLECTION



LAUNCH BAG
\$649.99



50/50 LOG
\$429.99



12-14 SLIDE
\$269.99



16-17 SLIDE
\$319.99



SOLARIUM
\$1,099.99



FULL DECK 15.0
\$849.99



HALF DECK 7.5
\$649.99



C-DECK
\$269.99



O.G. LOUNGE
\$3,199.99



RIVIERA LOUNGE
\$2,499.99



REVEL LOUNGE
\$3,199.99



OHANA LOUNGE
\$3,199.99



7926 BRACKEN PL SE
SNOQUALMIE, WA 98065
1-800-6-OBRIEN

OBRIEN.COM

PHOTO CREDITS: SEAN O'BRIEN / PETE SURRETTE / TED BEVELACQUA / JASON JAKOBER / SCOTT DUTTRY

