



2025 PRODUCT GUIDE

JANUARY 2025



Raymarine®

Raymarine

WELCOME



We know that every moment on the water is precious. It's a time for adventure, creating memories and achieving mission success. At Raymarine, we understand that when you're on the water, anything can happen. That's why we build rugged, reliable marine electronics that have kept boaters safe for over 100 years. From the ease of use of our products to the steadfast technical support, we go above and beyond, so you can confidently go further and do more.

Leave doubt in your wake.

CONTENTS

The information contained in this product guide, to the best of our knowledge, was correct as it went to press. However, the Raymarine policy of continuous improvement and updating may change product information without prior notice. Therefore, differences in products may occur from time to time, for which liability cannot be accepted by Raymarine.



**LIGHTHOUSE
CHARTS**

2



**CHARTPLOTTER DISPLAY
COMPARISON CHART**

4



**CHARTPLOTTER
DISPLAYS**

6



**SONAR
MODULES**

22



**RADAR
ANTENNAS**

36



AUTOPILOTS

45



INSTRUMENTATION

52



**MARINE VIDEO
CAMERAS**

64



**AUGMENTED
REALITY**

66



**AUTOMATIC IDENTIFICATION
SYSTEMS (AIS)**

68



**VHF RADIO
COMMUNICATIONS**

70



**NEUBOAT 360, DOCKSENSE
AND YACHTSENSE**

74



**CABLES &
ACCESSORIES**

85



SIRIUSXM WEATHER

88

LIGHTHOUSE CHARTS



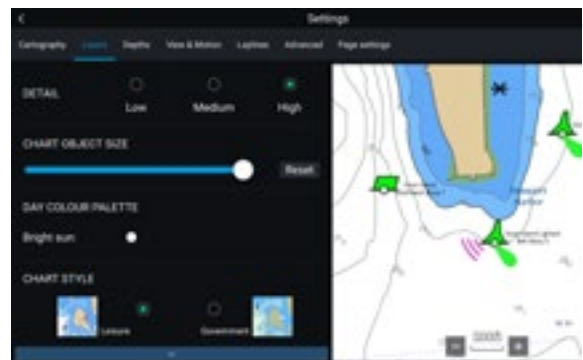
NEW FOR 2025
LIGHTHOUSE CHARTS GEN 2

New LightHouse Charts GEN 2 for Raymarine Axiom and Element deliver faster redraw speeds, expanded coverage and easier chart updates. Trust LightHouse Charts GEN 2 for superior readability and intuitive navigation. We create LightHouse Charts GEN 2 regions from official hydrographic chart sources – the same data trusted by maritime professionals. Subscribe to LightHouse Charts Premium and receive regular chart updates, gain access to an expansive POI library and navigate with high-resolution satellite overlays. Every new LightHouse Chart purchase includes a one-year LightHouse Charts Premium subscription.



Professional Or Leisure Chart Style

Toggle between the information-rich professional S-52 government chart style (left) and the LightHouse leisure chart style (right) for your preferred view of key cartographic data.



Enhanced Chart Symbol Control

Change the size of channel markers, points of interest and other icons for complete control over chart details.



Navigate With a Real-World View

Access Mapbox-powered high-resolution satellite imagery for a complete view of streets, shorelines and shallows for informed decision making.



Expansive Points of Interest Library

Quickly find local marinas, fuel stops, service stations and more with an ever-expanding points of interest library from the best marine databases.



Flexible Color Modes

Day, Dusk, Dark and Bright Sun color palettes help your vision keep up with changing light conditions for clear, strain-free chart viewing.



Stay Up to Date and Explore More

The Raymarine mobile app and a LightHouse Premium subscription allow you to update your charts and download premium content using your mobile phone.

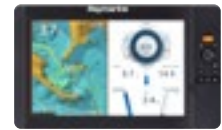
PART NO. DESCRIPTION

Nautical Charts

Lighthouse Charts

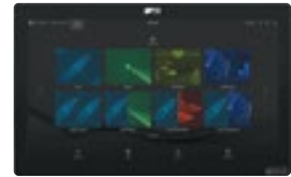
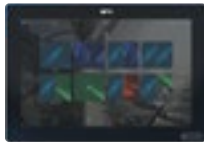
R70794 LightHouse Chart North America. USA and Canada

CHARTPLOTTER DISPLAYS



OPTIONS	ELEMENT
Display Sizes (inches)	7 / 9 / 12
Brightness	1500 nits
HydroTough nano coated display	
Touchscreen	
HybridTouch: Physical Controls (Buttons / Dials)	
Data Card Port	MicroSD
Waterproofing Standard	IPX6/7
Built-In GPS Receiver	●
RealVision 3D	Element HV Only
CHIRP DownVision	Element HV Only
CHIRP SideVision	Element HV Only
High Frequency CHIRP	Element HV and Element S
600 Watt Sonar	
RealVision MAX and 1 kW CHIRP Sonar	
HyperVision	Element HV Only
OS	LightHouse Sport
RayNet Ethernet	
USB	
Wi-Fi and Bluetooth	Wi-Fi
NMEA0183	
NMEA2000	●
SeaTalkNG	Via Adaptor
Mounting	Bracket / Surface
Quantum and Cyclone Radar	Quantum Wi-Fi Only
Digital Switching	
FLIR thermal Camera Integration	
Evolution Autopilot Control	
IP Video Camera and ClearCruise Augmented Reality Option	
Support for external CHIRP Sonar Modules	
Marine Audio Integration	
Navionics Autorouting	●
Navionics Sonar Chart Live	●
Raymarine Realbathy™	●

The following table provides a quick comparison guide for the Raymarine range of chartplotters displays. For more information, contact the local Raymarine dealer or visit our website raymarine.com



AXIOM+	AXIOM 2 PRO	AXIOM 2 XL
7 / 9 / 12	9 / 12 / 16	16 / 19 / 22 / 24
1500 and 1800 nit*	1200 and 1300 nits*	1200, 1275 and 1300 nits*
●	●	●
●	●	●
	●	
MicroSD	MicroSD (x2)	SD Card Reader Required
IPX6/7	IPX6/7	IPX6/7
●	●	●
RV	RVM	Optional RealVision and CHIRP Sonar Modules
RV	RVM	
RV	RVM	
RV	RVM	
RV	RVM	
	RVM	
LightHouse 4	LightHouse 4	LightHouse 4
●	●	●
●	●	●
●	●	●
Support for NMEA 0183 through an optional NMEA2000/SeaTalkNG Gateway		
●	●	●
●	●	●
Top, Flush, Front, Bracket	Top, Front, Bracket	Flush / Surface
●	●	●
●	●	●
●	●	●
●	●	●
●	●	●
●	●	●
●	●	●
●	●	●
●	●	●

*Brightness is model dependent

ELEMENT® S



The Element S series of navigation displays gives you the freedom to enjoy the open waters – Select your destination and let Element’s fast and accurate 10Hz GPS/GNSS lead the way. Engineered for simplicity and affordable performance, Element S will quickly become your trusted cruising companion. A quad-core processor offers responsive performance and Element’s all-weather, sunlight viewable displays deliver chart and navigation data in beautiful color. Element’s simple and straightforward LightHouse Sport operating system lets you navigate with confidence. Once underway, Element S will keep you on course with a smart list of user-friendly features, such as AIS target overlays, autopilot integration and sailing instrument displays. Element S is also compatible with Quantum Wireless Radar.



Quantum CHIRP Radar

Element S helps to navigate congested waterways with increased awareness and confidence using an optional Raymarine Quantum wireless CHIRP radar* or an AIS receiver. Quantum brings award-winning solid-state radar capability and Element S’s AIS overlays intelligently identify approaching targets.



Simple and Straight Forward

Element’s LightHouse Sport OS is designed for boaters that like to keep things simple. The LightHouse Sport OS and Element’s ergonomic keypad are easy to customize, and an oversized waypoint key allows for quick marking of your favorite locations, plus three user-programmable quick keys provide access to your favorite pages with one button push.



Superior Performance

Enjoy legendary Raymarine performance at an affordable price with 7, 9 and 12 inch super-bright displays for all weather conditions. Element features a fast quad-core processor, for quick chart redraw and responsive performance coupled with a precision 10hz GPS/GNSS sensor. Element is backed by Raymarine’s three-year warranty (product registration required).

*Element is only compatible with Quantum Wi-Fi only radar models.

PART NO. DESCRIPTION

Element S**Element 7 S**

E70531	Element 7 S - 7" Chartplotter with Wi-Fi & GPS, No Chart, No Transducer
E70531-00-102	Element 7 S - 7" Chartplotter with Wi-Fi & GPS, US and LightHouse North America Chart , No Transducer
E70531-00-CAE	Element 7 S - 7" Chartplotter with Wi-Fi & GPS, Navionics Large Blank Chart for Region Download (South America), No Transducer
E70531-00-MCB	Element 7 S - 7" Chartplotter with Wi-Fi & GPS, Navionics Blank Chart for Region Download, No Transducer

Element 9 S

E70533	Element 9 S - 9" Chartplotter with Wi-Fi & GPS, No Chart, No Transducer
E70533-00-102	Element 9 S - 9" Chartplotter with Wi-Fi & GPS, LightHouse North America Chart, No Transducer
E70533-00-CAE	Element 9 S - 9" Chartplotter with Wi-Fi & GPS, Navionics Large Blank Chart for Region Download (South America), No Transducer
E70533-00-MCB	Element 9 S - 9" Chartplotter with Wi-Fi & GPS, Navionics Blank Chart for Region Download, No Transducer

Element 12 S

E70535	Element 12 S - 12" Chartplotter with Wi-Fi & GPS, No Chart, No Transducer
E70535-00-102	Element 12 S -12" Chartplotter with Wi-Fi & GPS, LightHouse North America Chart, No Transducer
E70535-00-CAE	Element 12 S -12" Chartplotter with Wi-Fi & GPS, Navionics Large Blank Chart for Region Download (South America), No Transducer
E70535-00-MCB	Element 12 S -12" Chartplotter with Wi-Fi & GPS, Navionics Blank Chart for Region Download, No Transducer

Element S Transducers

E70342	CPT-S Transom
A80691	CPT-S In-Hull Transducer
E70339	CPT-S Plastic Thru-Hull 0° Angled Element
A80448	CPT-S Plastic Thru-Hull 12° Angled Element
A80447	CPT-S Plastic Thru-Hull 20° Angled Element
A80446	CPT-S Bronze Thru-Hull 0° Angled Element
E70340	CPT-S Bronze Thru-Hull 12° Angled Element
E70341	CPT-S Bronze Thru-Hull 20° Angled Element
R70496	CPT-S Transom Bracket with Hardware
A80273	Transducer Extension for CPT-S, CPT100, CPT110 & CPT120 (4m Cable)

ELEMENT® HV



Built for anglers that want to be one step ahead of the game, Element HV delivers the sharpest view of the underwater world with HyperVision™ 1.2 megahertz super high-resolution sonar. HyperVision takes DownVision, SideVision and Raymarine RealVision 3D sonar to the next level of precision imaging and fish identification, letting you see structures, vegetation and fish with lifelike clarity.



Simple, Fast Operation

Element's LightHouse Sport operating system with intuitive keypad control lets you quickly mark fishing spots and access your favorite pages with the press of a button. Quad-core performance delivers instant chart redraw, smooth 3D imaging and fast response while on the water.



All-in-One Transducer

The compact HV-100.02 transducer is simple to install and supports RealVision 3D, DownVision, SideVision, high-frequency CHIRP and 1.2 MHz HyperVision. A high-precision water temperature sensor is standard, and the HV-100.02 is convertible for transom or trolling motor mounting. Through-hull versions are also available.



See More with Precision Sonar

Element's 1.2 megahertz HyperVision takes sonar to a new level of precision. DownVision, SideVision, or stunning RealVision 3D, Element's HyperVision mode lets you view structure and target fish with lifelike clarity, helping you to see and catch what other anglers can't.



All the Best Maps

Element's powerful chartplotter supports Raymarine LightHouse Charts, Navionics, C-MAP, Standard Mapping, CMOR Mapping and many other publishers. Make custom bathymetric maps on the fly using Raymarine's new RealBathy™ or Navionics SonarChart Live.

PART NO. DESCRIPTION

Element HV

Element 7 HyperVision

E70532	Element 7 HV - 7" Chartplotter with CHIRP Sonar, HyperVision, Wi-Fi & GPS, No Chart, No Transducer
E70532-00-102	Element 7 HV - 7" Chartplotter with CHIRP Sonar, HyperVision, Wi-Fi & GPS, LightHouse North America Chart, No Transducer
E70532-00-CAE	Element 7 HV - 7" Chartplotter with CHIRP Sonar, HyperVision, Wi-Fi & GPS, Navionics Large Blank Chart for Region Download (South America), No Transducer
E70532-00-MCB	Element 7 HV - 7" Chartplotter with CHIRP Sonar, HyperVision, Wi-Fi & GPS, Navionics Blank Chart for Region Download, No Transducer
E70532-05-102	Element 7 HV - 7" Chartplotter with CHIRP Sonar, HyperVision, Wi-Fi, GPS, HV-100 transducer, LightHouse North America Chart
E70532-05-CAE	Element 7 HV - 7" Chartplotter with CHIRP Sonar, HyperVision, Wi-Fi & GPS, HV-100 transducer, Navionics Large Blank Chart for Region Download (South America)
E70532-05-MCB	Element 7 HV - 7" Chartplotter with CHIRP Sonar, HyperVision, Wi-Fi & GPS, HV-100 transducer, Navionics Blank Chart for Region Download

Element 9 HyperVision

E70534	Element 9 HV - 9" Chartplotter with CHIRP Sonar, HyperVision, Wi-Fi & GPS, No Chart, No Transducer
E70534-00-102	Element 9 HV - 9" Chartplotter with CHIRP Sonar, HyperVision, Wi-Fi & GPS, LightHouse North America Chart, No Transducer
E70534-00-CAE	Element 9 HV - 9" Chartplotter with CHIRP Sonar, HyperVision, Wi-Fi & GPS, Navionics Large Blank Chart for Region Download (South America), No Transducer
E70534-00-MCB	Element 9 HV - 9" Chartplotter with CHIRP Sonar, HyperVision, Wi-Fi & GPS, Navionics Blank Chart for Region Download, No Transducer
E70534-05	Element 9 HV - 9" Chartplotter with CHIRP Sonar, HyperVision, Wi-Fi, GPS, HV-100 transducer, No Chart
E70534-05-102	Element 9 HV - 9" Chartplotter with CHIRP Sonar, HyperVision, Wi-Fi, GPS, HV-100 transducer, LightHouse North America Chart
E70534-05-CAE	Element 9 HV - 9" Chartplotter with CHIRP Sonar, HyperVision, Wi-Fi & GPS, HV-100 transducer, Navionics Large Blank Chart for Region Download (South America)
E70534-05-MCB	Element 9 HV - 9" Chartplotter with CHIRP Sonar, HyperVision, Wi-Fi & GPS, HV-100 transducer, Navionics Blank Chart for Region Download

Element 12 HyperVision

E70536	Element 12 HV - 12" Chartplotter with CHIRP Sonar, HyperVision, Wi-Fi & GPS, No Chart & No Transducer
E70536-00-102	Element 12 HV -12" Chartplotter with CHIRP Sonar, HyperVision, Wi-Fi & GPS, LightHouse North America Chart, No Transducer
E70536-00-CAE	Element 12 HV -12" Chartplotter with CHIRP Sonar, HyperVision, Wi-Fi & GPS, Navionics Large Blank Chart for Region Download (South America), No Transducer
E70536-00-MCB	Element 12 HV -12" Chartplotter with CHIRP Sonar, HyperVision, Wi-Fi & GPS, Navionics Blank Chart for Region Download, No Transducer
E70536-05-102	Element 12 HV -12" Chartplotter with CHIRP Sonar, HyperVision, Wi-Fi, GPS, HV-100 transducer, LightHouse North America Chart
E70536-05-CAE	Element 12 HV -12" Chartplotter with CHIRP Sonar, HyperVision, Wi-Fi, GPS, HV-100 transducer, Navionics Large Blank Chart for Region Download (South America)
E70536-05-MCB	Element 12 HV -12" Chartplotter with CHIRP Sonar, HyperVision, Wi-Fi, GPS, HV-100 transducer, Navionics Blank Chart for Region Download

Element HyperVision - Transducers

E70643	HV-100.02 HyperVision Transom Transducer (200/350/1,200kHz) 6M
A80604	HV-300TH HyperVision Thru-Hull Transducer Plastic (200/350/1,200kHz) 6M
T70448	HV-300THP HyperVision Thru-Hull Transducer Pair Plastic (200/350/1,200kHz) 6M
R70725	HV-300THP-P HyperVision Thru-Hull Split Transducer PORT Plastic (200/350/1,200kHz) 2M
R70726	HV-300THP-S HyperVision Thru-Hull Split Transducer STARBOARD Plastic (200/350/1,200kHz) 2M
A80605	HyperVision Thru-Hull Split Transducer Y-Cable 0.5M
R70651	HV-100 Transom Transducer Bracket
A80562	HyperVision Transducer Extension Cable 4M
A80606	Adapter Cable for MotorGuide Transducer to Element HV (15-pin)
A80557	HV-100 Trolling Motor Mount
A80558	Adapter Cable for Dragonfly Green Connector (10-pin) to Element HV (15-pin) - Discontinued when inventory is depleted
A80559	Adapter Cable for CPT-S/DVS (9-pin) to Element HV (15-pin)
A80560	Adapter Cable for MinnKota Transducer to Element HV (15-pin)
R70741	HV-300 HyperVision Thru Hull Transducer Fairing Block

PART NO. DESCRIPTION

Element Accessories

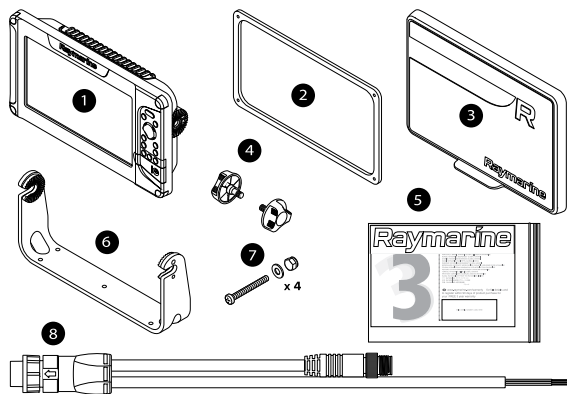
R70794	32Gb LightHouse North America Chart
R70838	32Gb micro SD card for Preformatted blank card for LightHouse Charts that can be purchased on the chart store or Rayconnect app. - Discontinued when inventory is depleted
A80553	Element 7" Surface Mount Kit
A80554	Element 9" Surface Mount Kit
A80555	Element 12" Surface Mount Kit
R70647	Element 7" Trunnion Kit
R70648	Element 9" Trunnion Kit
R70649	Element 12" Trunnion Kit
R70727	Element 7" Sun Cover
R70728	Element 9" Sun Cover
R70729	Element 12" Sun Cover
R70523	Axiom/Element Power/STng Data Cable 1.5M

Ice Fishing Accessories - Discontinued When Inventory Is Depleted

A80581	Element Ice Fishing Kit (Bag, Battery, Charger, Mont, Transducer & Float)
A80583	CPT-S Ice Transducer 2.5M w/ Float and Clips (HV Connector)
R70724	Element Ice Fishing Power Cable (No NMEA2000) 300MM

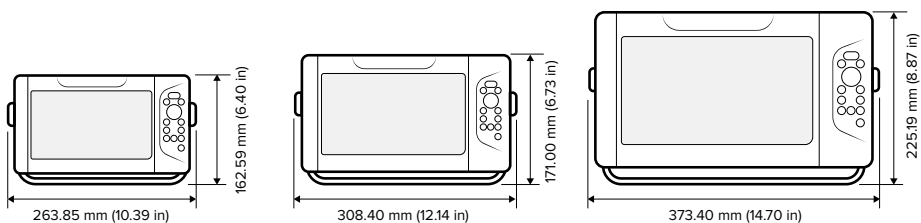


ELEMENT 7 / 9 / 12 : IN THE BOX



1. Element display
2. Surface mount gasket
3. Suncover
4. Trunnion knobs x2
5. Documentation pack
6. Trunnion bracket
7. Surface mount stainless steel fixings x4 (M4x40 machine screw, M4 flat washer, M4 locking nut)
8. Power / NMEA2000 cable (includes 1.5m (4.92ft) power lead and 0.5m (1.64ft) NMEA2000 lead).

← (mm / in.) →



AXIOM®+



The performance-tuned Axiom+ is a new generation of award-winning Raymarine chartplotter displays. Optimized for speed, Axiom+ is equipped with a powerful quad-core processor for industry-leading responsiveness and speed, giving you the power to seamlessly redraw charts, navigate with augmented reality and experience RealVision 3D sonar.



Fast and Fluid

Fluid and fast chart redraw of Raymarine LightHouse Charts, Navionics, C-MAP and many more chart partners.



LightHouse 4 OS

Smart and intuitive LightHouse 4 OS makes navigating easy.



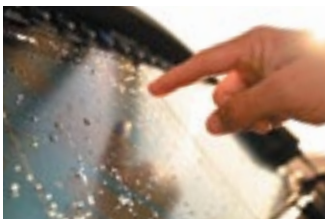
Quad-Core Power

Powerful quad-core processor, plus increased onboard storage for personal data and apps.



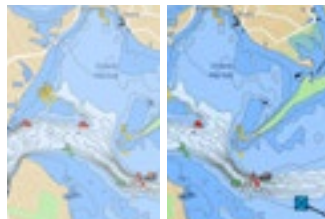
Augmented Reality

ClearCruise™ Augmented Reality-capable for smarter navigation decisions.



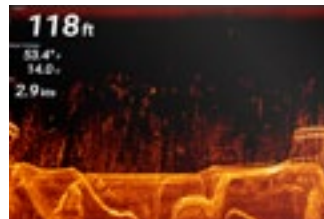
HydroTough™ Display

Nano-coated, impact-resistant glass screen repels water, oil and smudges for better viewing and accurate touch controls.



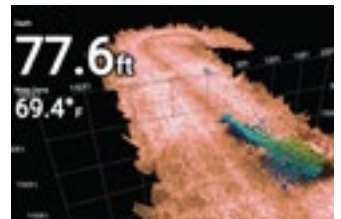
Brighter

Axiom+ 7, 9 and 12 inch all-weather displays are 25 percent brighter (up to 1,800 nits) than original Axiom models.



Sharper

IPS display technology delivers wider viewing angles and sharp contrast at twice the resolution of traditional displays.



3D Sonar Built-in

Available with built-in RealVision 3D sonar for the most comprehensive view of the underwater world.

PART NO. **DESCRIPTION**

Axiom+ Chartplotter Only

Axiom+ 7" Chartplotter

E70634	Axiom+ 7, Chartplotter 7" Display
E70634-00-102	Axiom+ 7, Chartplotter 7" Display with LightHouse North America Chart

Axiom+ 9" Chartplotter

E70636	Axiom+ 9, Chartplotter 9" Display
E70636-00-102	Axiom+ 9, Chartplotter 9" Display with LightHouse North America Chart

Axiom+ 12" Chartplotter

E70638	Axiom+ 12, Chartplotter 12" Display
E70638-00-102	Axiom+ 12, Chartplotter 12" Display with LightHouse North America Chart

Axiom+ RV Chartplotter with RealVision 3D

Axiom+ 7 RealVision 3D

E70635	Axiom+ 7 RV, Chartplotter 7" Display with integrated RealVision 3D, 600W Sonar
E70635-00-102	Axiom+ 7 RV, Chartplotter 7" Display with integrated RealVision 3D, 600W Sonar, no transducer with North America LightHouse Chart
E70635-00-CAE	Axiom+ 7 RV, Chartplotter 7" Display with integrated RealVision 3D, 600W Sonar, no transducer with Navionics Large Blank Chart for Region Download (South America)
E70635-00-MCB	Axiom+ 7 RV, Chartplotter 7" Display with integrated RealVision 3D, 600W Sonar, no transducer with Navionics Blank Chart for Region Download
E70635-03	Axiom+ 7 RV, Chartplotter 7" Display with integrated RealVision 3D,600W Sonar with RV-100 transducer
E70635-03-102	Axiom+ 7 RV, Chartplotter 7" Display with integrated RealVision 3D,600W Sonar with RV-100 transducer with LightHouse North America Chart
E70635-03-CAE	Axiom+ 7 RV, Chartplotter 7" Display with integrated RealVision 3D,600W Sonar with RV-100 transducer with Navionics Large Blank Chart for Region Download (South America)
E70635-03-MCB	Axiom+ 7 RV, Chartplotter 7" Display with integrated RealVision 3D,600W Sonar with RV-100 transducer with Navionics Blank Chart for Region Download

Axiom+ 12 RealVision 3D

E70639	Axiom+ 12 RV, Chartplotter 12" Display with integrated RealVision 3D, 600W Sonar
E70639-00-102	Axiom+ 12 RV, Chartplotter 12" Display with integrated RealVision 3D, 600W Sonar, no transducer with LightHouse North America Chart
E70639-00-CAE	Axiom+ 12 RV, Chartplotter 12" Display with integrated RealVision 3D, 600W Sonar, no transducer with Navionics Large Blank Chart for Region Download (South America)
E70639-00-MCB	Axiom+ 12 RV, Chartplotter 12" Display with integrated RealVision 3D, 600W Sonar, no transducer with Navionics Blank Chart for Region Download
E70639-03	Axiom+ 12 RV, Chartplotter 12" Display with integrated RealVision 3D,600W Sonar with RV-100 transducer
E70639-03-102	Axiom+ 12 RV, Chartplotter 12" Display with integrated RealVision 3D,600W Sonar with RV-100 transducer with LightHouse North America Chart
E70639-03-CAE	Axiom+ 12 RV, Chartplotter 12" Display with integrated RealVision 3D,600W Sonar with RV-100 transducer with Navionics Large Blank Chart for Region Download (South America)
E70639-03-MCB	Axiom+ 12 RV, Chartplotter 12" Display with integrated RealVision 3D,600W Sonar with RV-100 transducer with Navionics Blank Chart for Region Download

PART NO. DESCRIPTION

Axiom & Axiom+ Accessories

Accessories

R70794	32Gb LightHouse North America Chart
A80729	Navionics+ Canada and Alaska Chart
A80728	Navionics+ Blank Chart for Region Downloads
A80738	Navionics+ Large Blank Chart (South America)
T70293	System Remote Control Portrait & Landscape Keypad (RMK-10)
A80438	System Remote Control Portrait Keypad (RMK-10)
R70508	RMK-10 Landscape Keypad Top
A80440	RCR - Remote SD Card Reader and USB Socket
A80585	RCR1 Remote Card Reader
E70310	Raystar 150 10Hz GPS/Glonass antenna (STng)
A80370	Pole Mount for RS150 GPS Antenna / Micro-Talk Puck
T70327	Raystar 150 GPS with Pole Mount
A80437	GPS/Micro Talk Clamshell Riser Kit
A80007	HS-5 Network Switch (RayNet)
A80731	RNS-5 - 5 Port RayNet Gigabit Switch
A80732	RNS-8 - RayNet Network Switch 4X POE
R70615	RealVision 25-pin Locking Collar Kit

Suncovers

A80499	Suncover for Axiom/Axiom+ 7 when using Front Mounting Kit
R70527	Suncover for Axiom/Axiom+ 7 when Surface Mounted
R70525	Suncover for Axiom/Axiom+ 7 when Trunnion Mounted
A80501	Suncover for Axiom/Axiom+ 9 when using Front Mounting Kit
R70530	Suncover for Axiom/Axiom+ 9 when Trunnion Mounted
A80503	Suncover for Axiom/Axiom+ 12 when using Front Mounting Kit
R70533	Suncover for Axiom/Axiom+ 12 when Trunnion Mounted

Trunnion Mounting Kits

R70524	Metal Trunnion Mounting Kit for Axiom/Axiom+ 7
R70529	Metal Trunnion Mounting Kit for Axiom/Axiom+ 9
R70532	Metal Trunnion Mounting Kit for Axiom/Axiom+ 12

Front Mounting Kits

A80498	Front Mounting Kit for Axiom/Axiom+ 7 (Includes Suncover)
A80500	Front Mounting Kit for Axiom/Axiom+ 9 (Includes Suncover)
A80502	Front Mounting Kit for Axiom/Axiom+ 12 (Includes Suncover)

Rear Mounting Kits

R70528	Rear Mounting Kit for Axiom/Axiom+ 7 (Includes Rear Brackets, Bolts & Thumbnuts)
R70526	Rear Mounting Kit for Axiom/Axiom+ 7 Plastic Rear Cover
R70531	Rear Mounting Kit for Axiom/Axiom+ 9 (Included Rear Brackets, Bolts and Thumbnuts)
R70534	Rear Mounting Kit for Axiom/Axiom+ 12 (Included Rear Brackets, Bolts and Thumbnuts)

Power Cables

R70561	Axiom/Axiom+ Power Cable 1.5M Right Angle and NMEA 200 Connector
R70523	Axiom/Axiom+ Power Cable 1.5M Straight and NMEA 200 Connector

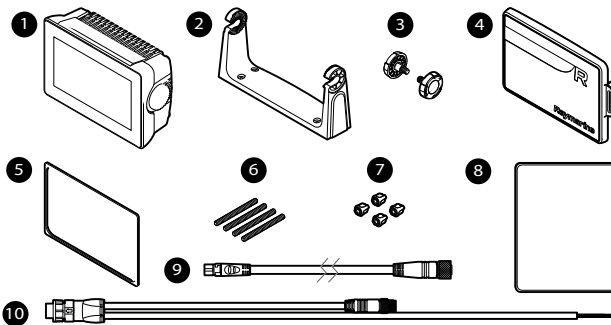
PART NO. DESCRIPTION

Adaptor Plates

A80524	Installation Adaptor Plate e7/e7D to Axiom/Axiom+ 7
A80526	Installation Adaptor Plate a9X to Axiom/Axiom+ 9
A80525	Installation Adaptor Plate C70 Classic to Axiom/Axiom+ 9 (will require new holes)
A80564	Installation Adaptor Plate C80/E80 to Axiom/Axiom+ 9 (will require new holes)
A80528	Installation Adaptor Plate c12X/e12x to Axiom/Axiom+ 12
A80527	Installation Adaptor Plate a12X to Axiom/Axiom+ 12 (will require new holes)
A80529	Installation Adaptor Plate C120/E120 Classic to Axiom/Axiom+ 12



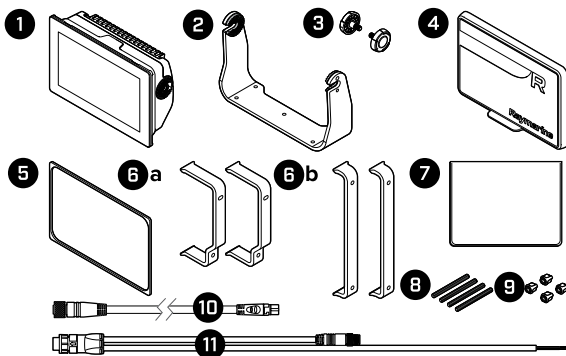
AXIOM+ 7: IN THE BOX



1. MFD (supplied with Trunnion adaptor fitted)
2. Trunnion bracket
3. Trunnion knobs x 2
4. Suncover – Trunnion mount
5. Panel mount gasket for surface/flush mounting
6. M5x58 Threaded studs x 4
7. M5 Thumb nuts x 4
8. Documentation pack
9. DeviceNet to SeaTalkng® adaptor cable 120 mm (4.7 in)
10. Power/NMEA 2000 cable (with 1.5 m (4.92 ft) power lead and 0.5 m (1.64 ft) NMEA 2000 lead).



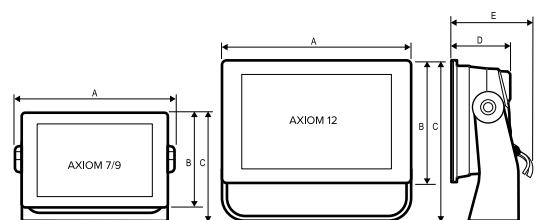
AXIOM+ 9 / 12: IN THE BOX



1. MFD
2. Trunnion bracket
3. Trunnion knobs x 2
4. Suncover
5. Panel mount gasket for surface/flush mounting
6. Rear mounting brackets: (a) supplied with 9" MFD (b) supplied with 12" MFD
7. Documentation pack
8. M5x58 Threaded studs x 4
9. M5 Thumb nuts x 4
10. DeviceNet to SeaTalkng® adaptor cable 120 mm (4.7 in)
11. Power/NMEA 2000 cable (with 1.5 m (4.92 ft) power lead and 0.5 m (1.64 ft) NMEA 2000 lead).

← (mm / in.) →

	AXIOM+ 7		AXIOM+ 9		AXIOM+ 12	
	mm	in	mm	in	mm	in
A	250.4	9.86	265.03	10.43	314	12.36
B	133	5.24	157.78	6.21	217	8.54
C	162.5	6.4	187.8	7.39	226.8	8.93
D	76.4	3.0	76.71	3.02	76.20	3.0
E	218	8.59	170	6.69	180	7.08



AXIOM® 2 PRO



Our most powerful Axiom ever, Axiom 2 Pro, is upgraded with faster processors, superior displays, improved ergonomics and the incredibly intuitive LightHouse 4 operating system. Get underway faster and confidently with Axiom 2 Pro's HybridTouch™ – a simple touchscreen experience plus reliable keypad control. Axiom 2 Pro chartplotters feature built-in wide-spectrum CHIRP sonars for fishing and navigation. Choose Axiom 2 Pro S models with a single High CHIRP sonar channel, or take your fishing to the max with Axiom 2 Pro RVM models, with 1kW CHIRP and RealVision MAX sonar technology.

More Power

Get underway faster with Axiom 2 Pro's lightning-fast 6-core processor.

HybridTouch

Plan and plot your course with fluid touchscreen control and take command with confident keypad control when seas are rough.

Customize

An interchangeable keypad gives you a choice an autopilot controls or user-programmable soft keys.

Find More Fish with RealVision MAX

RealVision MAX upgrades DownVision, SideVision and 3D sonar with increased range, better resolution and sharper fish targets.

HydroTough Displays

Engineered to perform in extreme environments. HydroTough™ nano-coating technology repels water for reliable touchscreen control and enhances colors and sunlight visibility.

Navigate Smarter

Chartplotter, sonar, radar, autopilot and video integrate together seamlessly with the super-easy LightHouse 4 operating system.

Automatic Display Brightness

An ambient light sensor automatically adjusts display brightness for day and evening lighting conditions.

Network Like a Pro

Build a system with multiple Axiom displays and expanded video options, including HDMI output for remote displays and TVs.

PART NO. DESCRIPTION

Axiom 2 Pro S Chartplotter with Conical Sonar**Axiom 2 9 Pro S**

E70653	Axiom 2 Pro 9 S HybridTouch 9" Chartplotter Display with CHIRP Conical Sonar for CPT-S
E70653-00-102	Axiom 2 Pro 9 S HybridTouch 9" Chartplotter Display with CHIRP Conical Sonar for CPT-S and LightHouse North America Chart
E70653-00-CAE	Axiom 2 Pro 9 S HybridTouch 9" Chartplotter Display with CHIRP Conical Sonar for CPT-S and Navionics Large Blank Chart for Region Download (South America)
E70653-00-MCB	Axiom 2 Pro 9 S HybridTouch 9" Chartplotter Display with CHIRP Conical Sonar for CPT-S and Navionics Chart for Region Download

Axiom 2 12 Pro S

E70655	Axiom 2 Pro 12 S HybridTouch 12" Chartplotter Display with CHIRP Conical Sonar for CPT-S
E70655-00-102	Axiom 2 Pro 12 S HybridTouch 12" Chartplotter Display with CHIRP Conical Sonar for CPT-S and LightHouse North America Chart
E70655-00-CAE	Axiom 2 Pro 12 S HybridTouch 12" Chartplotter Display with CHIRP Conical Sonar for CPT-S and Navionics Large Blank Chart for Region Download (South America)
E70655-00-MCB	Axiom 2 Pro 12 S HybridTouch 12" Chartplotter Display with CHIRP Conical Sonar for CPT-S and Navionics Blank Chart for Region Download

Axiom 2 16 Pro S

E70657	Axiom 2 Pro 16 S HybridTouch 16" Chartplotter Display with CHIRP Conical Sonar for CPT-S
E70657-00-102	Axiom 2 Pro 16 S HybridTouch 16" Chartplotter Display with CHIRP Conical Sonar for CPT-S and LightHouse North America Chart
E70657-00-CAE	Axiom 2 Pro 16 S HybridTouch 16" Chartplotter Display with CHIRP Conical Sonar for CPT-S and Navionics Large Blank Chart for Region Download (South America)
E70657-00-MCB	Axiom 2 Pro 16 S HybridTouch 16" Chartplotter Display with CHIRP Conical Sonar for CPT-S and Navionics Blank Chart for Region Download

Axiom 2 Pro RVM Chartplotter with RealVision Max 3D and 1kW Sonar**Axiom 2 9 Pro RVM**

E70654	Axiom 2 Pro 9 RVM HybridTouch 9" Chartplotter Display with Integrated 1kW Sonar, DV, SV and Realvision Max 3D Sonar
E70654-00-102	Axiom 2 Pro 9 RVM HybridTouch 9" Chartplotter Display with Integrated 1kW Sonar, DV, SV and RealVision Max 3D Sonar and LightHouse North America Chart
E70654-00-CAE	Axiom 2 Pro 9 RVM HybridTouch 9" Chartplotter Display with Integrated 1kW Sonar, DV, SV and RealVision Max 3D Sonar and Navionics Large Blank Chart for Region Download (South America)
E70654-00-MCB	Axiom 2 Pro 9 RVM HybridTouch 9" Chartplotter Display with Integrated 1kW Sonar, DV, SV and RealVision Max 3D Sonar and Navionics Blank Chart for Region Download

Axiom 2 12 Pro RVM

E70656	Axiom 2 Pro 12 RVM HybridTouch 12" Chartplotter Display with Integrated 1kW Sonar, DV, SV and Realvision Max 3D Sonar
E70656-00-102	Axiom 2 Pro 12 RVM HybridTouch 12" Chartplotter Display with Integrated 1kW Sonar, DV, SV and RealVision Max 3D Sonar and LightHouse North America Chart
E70656-00-CAE	Axiom 2 Pro 12 RVM HybridTouch 12" Chartplotter Display with Integrated 1kW Sonar, DV, SV and RealVision Max 3D Sonar and Navionics Large Blank Chart for Region Download (South America)
E70656-00-MCB	Axiom 2 Pro 12 RVM HybridTouch 12" Chartplotter Display with Integrated 1kW Sonar, DV, SV and RealVision Max 3D Sonar and Navionics Blank Chart for Region Download

Axiom 2 16 Pro RVM

E70658	Axiom 2 Pro 16 RVM HybridTouch 16" Chartplotter Display with Integrated 1kW Sonar, DV, SV and Realvision Max 3D Sonar
E70658-00-102	Axiom 2 Pro 16 RVM HybridTouch 16" Chartplotter Display with Integrated 1kW Sonar, DV, SV and RealVision Max 3D Sonar and LightHouse North America Chart
E70658-00-CAE	Axiom 2 Pro 16 RVM HybridTouch 16" Chartplotter Display with Integrated 1kW Sonar, DV, SV and RealVision Max 3D Sonar and Navionics Large Blank Chart for Region Download (South America)
E70658-00-MCB	Axiom 2 Pro 16 RVM HybridTouch 16" Chartplotter Display with Integrated 1kW Sonar, DV, SV and RealVision Max 3D Sonar and Navionics Blank Chart for Region Download

PART NO. **DESCRIPTION**

Axiom, Axiom Pro & Axiom 2 Pro Accessories

Accessories

R70794	32Gb LightHouse North America Chart
A80729	Navionics+ Canada and Alaska Chart
A80728	Navionics+ Blank Chart for Region Downloads
A80738	Navionics+ Large Blank Chart (South America)
T70293	System Remote Control Portrait & Landscape Keypad (RMK-10)
A80438	System Remote Control Portrait Keypad (RMK-10)
R70508	RMK-10 Landscape Keypad Top
A80440	RCR - Remote SD Card Reader and USB Socket
A80585	RCR1 Remote Card Reader
A80723	Micro HDMI (Type D) Video Out Cable, 3M
A80589	GPS & Glonass Antenna (Axiom Pro, Axiom XL & AIS4000/5000)
E70310	Raystar 150 10Hz GPS/Glonass antenna (STng)
A80370	Pole Mount for RS150 GPS Antenna / Micro-Talk Puck
T70327	Raystar 150 GPS with Pole Mount
A80437	GPS/Micro Talk Clamshell Riser Kit
A80644	Airmar Embedded Transducer Junction Box
A80007	HS-5 Network Switch (RayNet)
A80731	RNS-5 - 5 Port RayNet Gigabit Switch
A80732	RNS-8 - RayNet Network Switch 4X POE
R70615	RealVision 25-pin Locking Collar Kit

Suncovers

A80534	Axiom 9 Pro Silicone Suncover
A80535	Axiom 12 Pro Silicone Suncover
A80536	Axiom 16 Pro Silicone Suncover

Trunnion Mounting Kits

R70384	Axiom Pro 9/eS9 Trunnion Mount Kit
R70389	Axiom Pro 12/eS12 Trunnion Mount Kit
A80537	Axiom Pro 16 Bracket / Ball Mount Plate
A80722	Axiom 2 Pro 16 Engraved Stainless Steel Trunnion Mount Kit

Flush Mounting Kits

R70385	Axiom Pro 9/eS9 Flush Mount Seal Kit
R70388	Axiom Pro 12/eS12 Flush Mount Seal Kit
R70599	Axiom Pro 16 Flush Mount Seal Kit

Rear Mounting Kits

A80342	Axiom Pro 9/eS9 Rear Mounting Bracket - Discontinued when inventory is depleted
--------	---

Power Cables

R70029	Power Cable, Angled 1.5M (Axiom Pro and Legacy)
A80744	Power Cable, Straight 1.5M (Axiom 2 Pro and XL)
A80745	Power Cable, Angled 1.5M (Axiom 2 Pro and XL)

PART NO. DESCRIPTION

Adaptor Plates

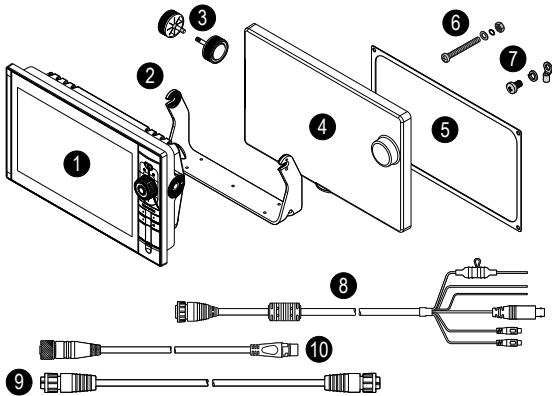
A80530	Installation Adaptor Plate C/E90W to Axiom Pro 9
A80565	Installation Adaptor Plate C/E120 to Axiom Pro 12
A80531	Installation Adaptor Plate C/E120W to Axiom Pro 12 (will require new holes)
A80533	Installation Adaptor Plate C/E140W/e165 to Axiom Pro 16 (will require new holes)

Trim Kits

R70383	Axiom Pro 9/eS9 Trim Kit
R70387	Axiom Pro 12/eS12 Trim Kit
R70598	Axiom Pro 16 Trim Kit



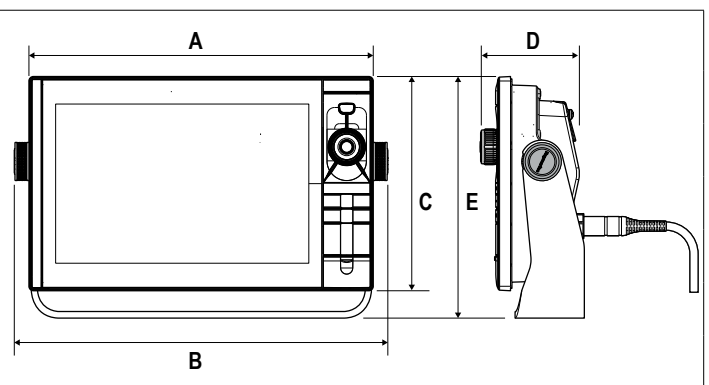
AXIOM 2 PRO: IN THE BOX



1. Display
2. Trunnion bracket (**Axiom 2 Pro 9 and 12 Only**)
3. Trunnion bracket fixings
4. Suncover
5. Gasket
6. Mounting fixings x 4 (Including bolts, washers, nuts)
7. M3 x 5 screw, M3 spring washer and M3 crimp terminal (for optional grounding connection)
8. Power/video/audio cable 1.5 m (4.92 ft)
9. RayNet 2 m (6.6 ft) network cable
10. SeaTalkng™ to DeviceNet 1 m (3.3 ft) adaptor cable

← (mm / in.) →

	AXIOM 2 PRO 9		AXIOM 2 PRO 12		AXIOM 2 PRO 16	
	mm	in	mm	in	mm	in
A	299.32	11.78	358	14.1	452	17.8
B	329.5	12.97	388.5	15.3	482.50	19.00
C	173.8	6.84	222.8	8.77	258	10.2
D	97.9	3.85	96.3	3.79	101.8	4.0
E	186.2	7.3	246.13	9.69	281.20	11.10



AXIOM® 2 XL



Axiom 2 XL, the flagship of the Axiom family, delivers powerful chartplotter performance, stylish large-format navigation and the elegant simplicity of the LightHouse 4 operating system. Designed for all weather conditions, the rugged yet beautiful Axiom 2 XL displays are at home in open cockpits or enclosed glass bridge stations. Enhanced with powerful 6-core processors, expanded networking and ultra-bright HydroTough™ displays, Axiom 2 XL is the premium chartplotter for captains who demand the best. Axiom 2 XL displays are available in 16, 19, 22 and 24-inch diagonal display sizes.

Glass Bridge

Axiom 2 XL offers the largest possible displays with the smallest overall footprint. Experience big-screen navigation even on tightly spaced helms.

More Powerful

Get underway faster with our most powerful 6-core chartplotter processor.

Remote Control

Add the RMK-10 keypad and enjoy complete remote keypad control of each Axiom 2 XL at your helm.

Advanced Video Integration

HDMI input, HDMI output and USB touchscreen input lets you integrate with Axiom 2 XL with remote computers and HDTV monitors.

HydroTough Displays

Engineered to perform in extreme environments. HydroTough nano-coating technology repels water for reliable touchscreen control and delivers enhanced colors and sunlight visibility.

Navigate Smarter

Chartplotter, sonar, radar, autopilot and video integrate together seamlessly with the intuitive LightHouse 4 operating system.

Automatic Display Brightness

An ambient light sensor automatically adjusts display brightness for day and evening lighting conditions.

Superior Networking

Create a glass bridge helm with multiple Axiom 2 XL displays and expanded video options, including 3 power-over-ethernet Raynet ports for video camera connectivity.

PART NO.	DESCRIPTION
----------	-------------

Axiom 2 XL Glass Bridge Displays

Axiom 2 XL Glass Bridge Displays

T70602	Axiom 2 XL 16 & RVM1600 Bundle
E70661	Axiom 2 XL 16 - 15.6" Chartplotter Display Only
T70545	Axiom 2 XL 16 - 15.6" Chartplotter Display Kit (includes RCR-SD, Alarm and Cable)
E70662	Axiom 2 XL 19 - 18.5" Chartplotter Display Only
T70546	Axiom 2 XL 19 - 18.5" Chartplotter Display Kit (includes RCR-SD, Alarm and Cable)
E70663	Axiom 2 XL 22 - 21.5" Chartplotter Display Only
T70547	Axiom 2 XL 22 - 21.5" Chartplotter Display Kit (includes RCR-SD, Alarm and Cable)
E70664	Axiom 2 XL 24 - 24" Chartplotter Display Only
T70548	Axiom 2 XL 24 - 24" Chartplotter Display Kit (includes RCR-SD, Alarm and Cable)

Accessories

A80440	RCR - Remote SD Card Reader and USB Socket
A80585	RCR1 Remote Card Reader
A80589	GPS & Glonass Antenna (Axiom Pro, Axiom XL & AIS4000/5000)
E26033	External Alarm Buzzer
A80235	2m Axiom XL Video In and Alarm Cable
T70431	Axiom XL Accessory Pack
A80579	USB (B) Right Angle to USB (A) Cable, 5M for touch screen output
T70293	System Remote Control Portrait & Landscape Keypad (RMK-10)
A80438	System Remote Control Portrait Keypad (RMK-10)
R70508	RMK-10 Landscape Keypad Top
E70310	Raystar 150 10Hz GPS/Glonass antenna (STng)
A80370	Pole Mount for RS150 GPS Antenna / Micro-Talk Puck
T70327	Raystar 150 GPS with Pole Mount
A80437	GPS/Micro Talk Clamshell Riser Kit
A80007	HS-5 Network Switch (RayNet)
A80731	RNS-5 - 5 Port RayNet Gigabit Switch
A80732	RNS-8 - RayNet Network Switch 4X POE

Suncovers

R70665	Axiom XL 16 Suncover
R70666	Axiom XL 19 Suncover
R70676	Axiom XL 22 Suncover
R70667	Axiom XL 24 Suncover
A80733	Axiom 2 XL 16 - Silcon Magnetic Suncover
A80734	Axiom 2 XL 19 - Silcon Magnetic Suncover
A80735	Axiom 2 XL 22 - Silcon Magnetic Suncover
A80736	Axiom 2 XL 24 - Silcon Magnetic Suncover

Rear Mounting Kits

R70668	Axiom XL 16 - Rear Mounting Kit
R70669	Axiom XL 19 Rear Mounting Kit
R70675	Axiom XL 22 Rear Mounting Kit
R70670	Axiom XL 24 Rear Mounting Kit

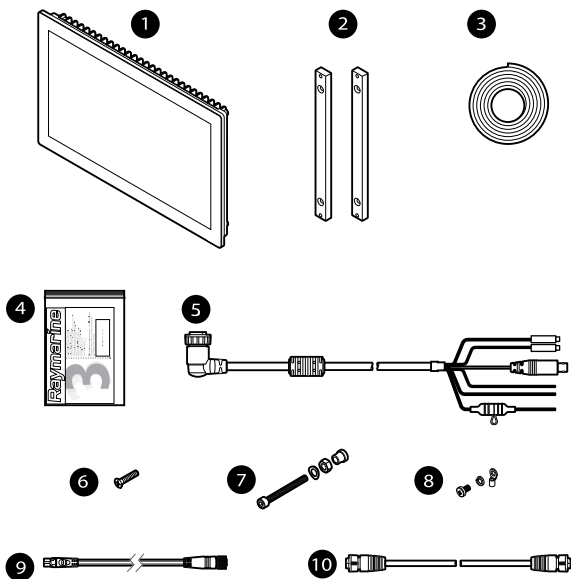
PART NO. DESCRIPTION

Power Cables

R70029	Power Cable, Angled 1.5M (Axiom Pro, XL and Legacy)
A80744	Power Cable, Straight 1.5M (Axiom 2 Pro and XL)
A80745	Power Cable, Angled 1.5M (Axiom 2 Pro and XL)



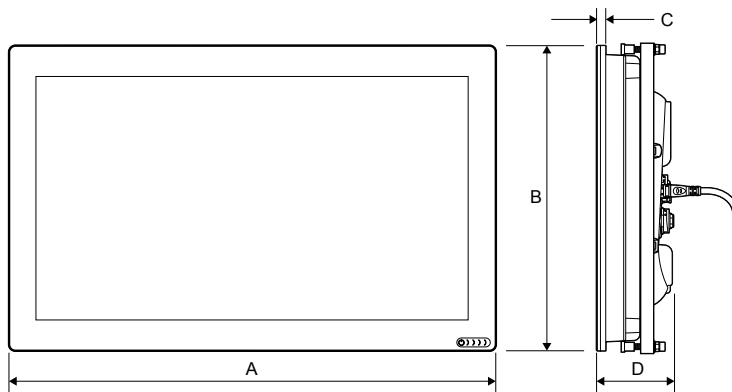
AXIOM 2 XL: IN THE BOX



1. Axiom[™] 2 XL MFD
2. Rear mounting bar x 2
3. Mounting gasket tape
4. Documentation pack
5. Power/Video/NMEA 0183 cable 1.5 m (4.92 ft) right-angled
6. Mounting bar fixings x 4 (M5 x 20 pozi countersunk)
7. Mounting fixings x 4 (Including M5 x 35 Bolts, M5 wavy washers, M5 nuts and mounting feet)
8. M3 x 5 screw, M3 spring washer and M3 crimp terminal (for optional grounding connection)
9. SeaTalkng[™] to DeviceNet 1 m (3.3 ft) adaptor cable
10. RayNet 2 m (6.6 ft) network cable

← (mm / in.) →

	AXIOM 2 XL 16		AXIOM 2 XL 19		AXIOM 2 XL 22		AXIOM 2 XL 24	
	mm	in	mm	in	mm	in	mm	in
A	394.9	15.54	462	18.1	534	21.02	578	22.76
B	248.22	9.77	289	11.3	326	12.83	387	15.23
C	9.0	0.35	9.0	0.35	9.0	0.35	9.0	0.35
D	73.96	2.91	73.96	2.91	79.75	3.14	76	3.0



RVX1000 SONAR



The RVX1000 offers all of the sonar performance and features of Raymarine Axiom Pro in a remotely mounted black box sonar module. With Raymarine’s award winning RealVision™ 3D sonar technology, CHIRP Side and DownVision®, plus a high powered 1kW dual channel CHIRP sonar, the RVX1000 is a versatile sonar solution for both inshore and offshore fishing.



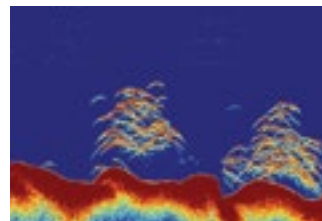
CHIRP DownVision

CHIRP DownVision delivers a photo-like view of the world beneath your boat, allowing you to image bottom structures with amazing detail and simultaneously target fish.



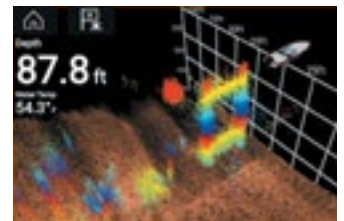
CHIRP SideVision

CHIRP SideVision sonar expands your underwater horizon with bank-to-bank displays of fish, bait and underwater structures. SideVision lets you see further, see more clearly and detect more fish than traditional side scanning sonars.



CHIRP DownVision

RVX1000 has built-in low power, high frequency CHIRP plus 1kW high power CHIRP supporting low, medium and high frequency bands. Dual transducer connections let you customize your sonar system with a wide range of transom mount, in-hull and through-hull options.



RealVision 3D

RealVision 3D give anglers the ability to see what’s below, behind and to the sides of the boat, all at once and in three-dimensions. RealVision 3D displays the entire underwater world – including structure, cover, fish and forage. Pan, tilt and zoom the 3D image to examine from any angle.

RVM1600 SONAR



The RVM1600 with RealVision MAX technology takes Raymarine multi-channel CHIRP sonar performance to a new level. The next generation of DownVision, SideVision, 3D and conventional CHIRP sonar, RealVision MAX delivers vivid sonar imagery and fish targets like never before. RealVision MAX starts with all-new high-performance RealVision CHIRP transducers, upgraded with larger elements and increased power output for extended-range performance. Next, RealVision MAX CHIRP signal processing and faster ping rates improve visual fidelity and target identification. With RealVision MAX, structure is more recognizable, and the most elusive fish are easily identifiable with high-contrast RealVision MAX sonar color palettes.

Multi-Channel Sonar

The RVM1600 is equipped with both a 1 kW dual-channel CHIRP sonar plus RealVision MAX sonar channels, including High CHIRP, SideVision, DownVision, and 3D channel.

Maximum Clarity

RealVision MAX CHIRP sonar processing, combined with faster ping rates, delivers superior sonar imagery in CHIRP, Side, Down and RealVision sonar channels.

Maximum Fish

New RealVision MAX high contrast color palettes and fish targeting enhancements help you positively identify fish and bait.

Maximum Range

More powerful RealVision MAX CHIRP transducers with a 600-watt conical High CHIRP element and upgraded Side and DownVision elements deliver better fishfinding on longer-range scales.

CHIRP DownVision

CHIRP DownVision delivers a photo-like view of the world beneath your boat. See bottom structures and fish targets with amazing detail.

CHIRP SideVision

CHIRP SideVision sonar expands your underwater horizon with bank-to-bank displays of fish, bait and underwater structures. See further and see more fish than traditional side scanning sonars.

Conventional CHIRP

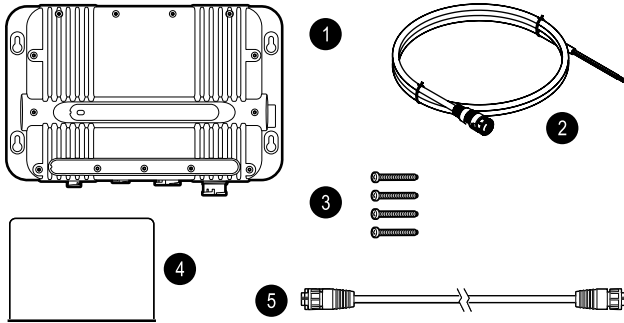
RealVision Max transducers feature a 600-watt high-frequency conical CHIRP element for coastal fishing. A separate 1kW dual-channel CHIRP sonar for offshore fishing with a wide range of transom, in-hull and through-hull options.

3D Sonar

RealVision MAX 3D sonar lets anglers see sonar data in a life-like 3D perspective view. Use 3D sonar to pinpoint that elusive wreck or setup the perfect drift.

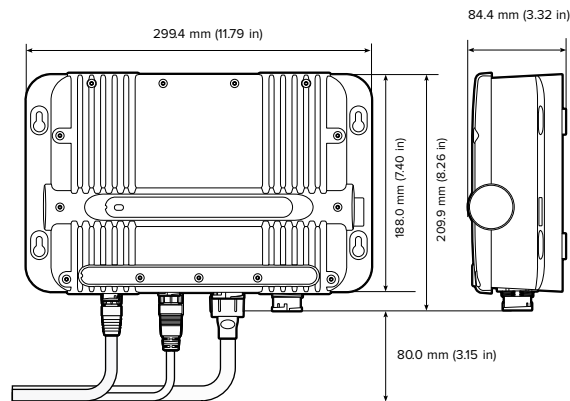


RVX1000: IN THE BOX



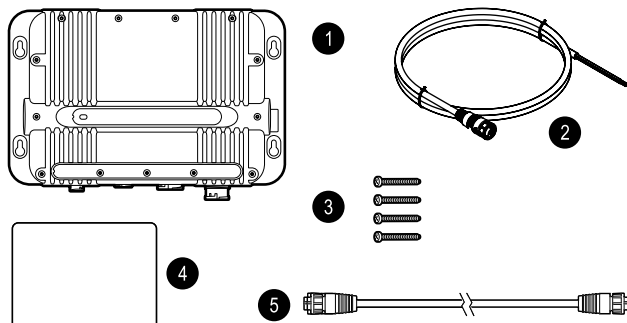
- 1. RVX1000 Sonar module
- 2. 1.5m power cable
- 3. Fixing screws
- 4. Documentation pack
- 5. RayNet Network Cable, 2m

← (mm / in.) →

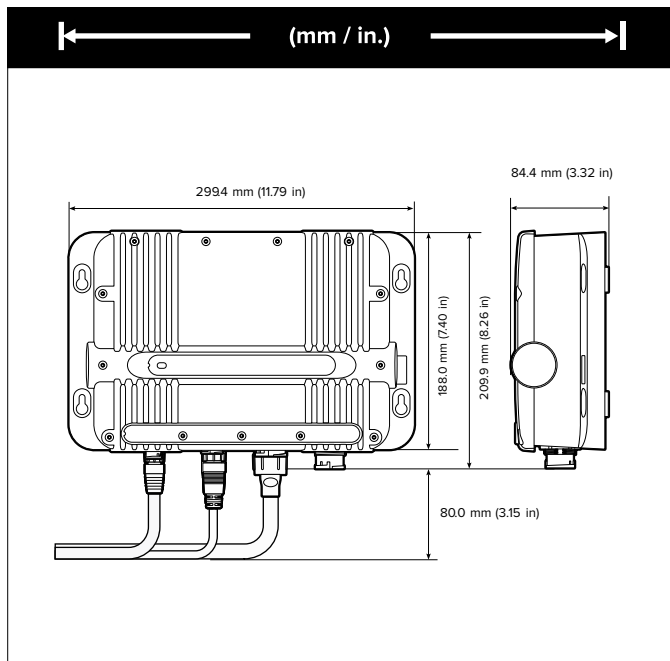




RVM1600: IN THE BOX



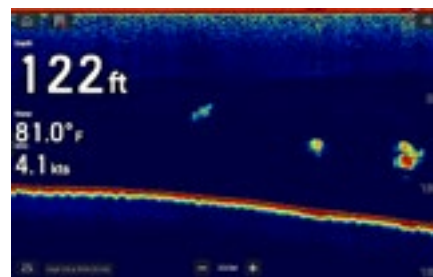
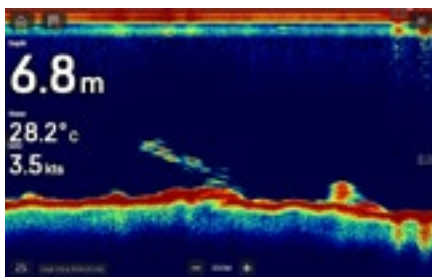
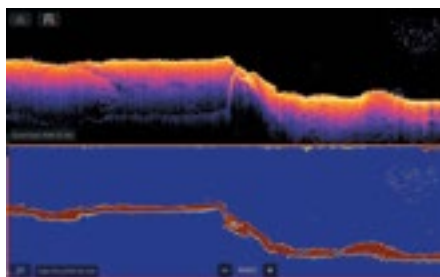
- 1. RVM1600 Sonar module
- 2. 1.5m power cable
- 3. Fixing screws
- 4. Documentation pack
- 5. RayNet Network Cable, 2m



RVM-400
Through-Hull Transducer



RVM-100
Transom-Mount Transducer



PART NO.	DESCRIPTION
----------	-------------

RealVision Black Box Sounder

RealVision Blackbox Sonar With 1kW Sonar, DownVision, SideVision and RealVision 3D Sonar

E70511	RVX1000 RealVision Black Box Sonar with 1kW Sonar, DownVision, SideVision and RealVision 3D Sonar - Discontinued when inventory is depleted
E70665	RVM1600 RealVision Black Box Sonar with 1kW Sonar, DownVision, SideVision and RealVision 3D Sonar

AXIOM, AXIOM Pro and RVX1000 Transducers

Conical High CHIRP Direct Connect To Axiom DV Adaptor Cable A80490 Required For Axiom RV And All Axiom Pros

A80490	Adaptor Cable (9 pin to 25 pin) attach (CPT-xxx) transducer to Axiom RV, Axiom Pro or RVX1000
E70342	CPT-S Plastic Conical HIGH CHIRP Transom Mount Transducer (Requires A80490 Adaptor Cable)
A80691	CPT-S In-Hull Transducer (Requires A80490 Adaptor Cable)
E70339	CPT-S Plastic Conical HIGH CHIRP Through Hull 0° Angled Element Transducer (Requires A80490 Adaptor Cable)
A80448	CPT-S Plastic Conical HIGH CHIRP Through Hull 12° Angled Element Transducer (Requires A80490 Adaptor Cable)
A80447	CPT-S Plastic Conical HIGH CHIRP Through Hull 20° Angled Element Transducer (Requires A80490 Adaptor Cable)
A80446	CPT-S Bronze Conical HIGH CHIRP Through Hull 0° Angled Element Transducer (Requires A80490 Adaptor Cable)
E70340	CPT-S Bronze Conical HIGH CHIRP Through Hull 12° Angled Element Transducer (Requires A80490 Adaptor Cable)
E70341	CPT-S Bronze Conical HIGH CHIRP Through Hull 20° Angled Element Transducer (Requires A80490 Adaptor Cable)

Conical High CHIRP & Downvision Transducer Direct Connect To Axiom DV, Adaptor Cable A80490 Required For Axiom RV, Axiom Pr-Rvx A & Rvx1000

A80490	Adaptor Cable (9 pin to 25 pin) attach (CPT-xxx) transducer to Axiom RV, Axiom Pro or RVX1000
A80351	CPT-100DVS Transom Mount Chirp Transducer, Depth & Temp, Direct connect to CP100 & xx8 MFDs (10m cable)
A80277	CPT-110 Plastic Through Hull Chirp Transducer, Depth & Temp, Direct connect to CP100 & xx8 MFDs (10m cable)
A80350	CPT-120 Bronze Through Hull Chirp Transducer with High Speed Fairing, Depth & Temp, Direct connect to CP100 & xx8 MFDs (10m cable)

Axiom RV, Axiom Pro RVX And RVX1000 RealVision 3D Transducers

A80464	RV-100 RealVision 3D Transom Mount Transducer (8M Cable)
A80465	RV-200 RealVision 3D Bronze Through Hull Transducer 0 Degree (8M Cable)
T70318	Pack of RV-212 RealVision 3D Bronze Through Hull Transducers, Port and Starboard 12 Degree (includes 8M Transducer Extension Cable and Split Transducer Y-Cable)
A80466	RV-212P RealVision 3D Bronze Through Hull Transducer Port 12 Degree (2M Cable)
A80467	RV-212S RealVision 3D Bronze Through Hull Transducer Starboard 12 Degree (2M Cable)
T70319	Pack of RV-220 RealVision 3D Bronze Through Hull Transducers, Port and Starboard 20 Degree (includes 8M Transducer Extension Cable and Split Transducer Y-Cable)
A80468	RV-220P RealVision 3D Bronze Through Hull Transducer Port 20 Degree (2M Cable)
A80469	RV-220S RealVision 3D Bronze Through Hull Transducer Starboard 20 Degree (2M Cable)
A80470	RV-300 RealVision 3D Plastic Through Hull Transducer 0 Degree (8M Cable)
T70320	Pack of RV-312 RealVision 3D Plastic Through Hull Transducers, Port and Starboard 12 Degree (includes 8M Transducer Extension Cable and Split Transducer Y-Cable)
A80471	RV-312P RealVision 3D Plastic Through Hull Transducer Port 12 Degree (2M Cable)
A80472	RV-312S RealVision 3D Plastic Through Hull Transducer Starboard 12 Degree (2M Cable)
T70321	Pack of RV-320 RealVision 3D Plastic Through Hull Transducers, Port and Starboard 20 Degree (includes 8M Transducer Extension Cable and Split Transducer Y-Cable)
A80473	RV-320P RealVision 3D Plastic Through Hull Transducer Port 20 Degree (2M Cable)
A80474	RV-320S RealVision 3D Plastic Through Hull Transducer Starboard 20 Degree (2M Cable)
A80615	RV-400 RealVision 3D Stainless Steel Thru Hull Transducer - 0 Degree
T70450	RV-412 RealVision 3D Stainless Steel Thru Hull Transducer Pair - 12 Degree
A80616	RV-412 RealVision 3D Stainless Steel Thru Hull Transducer - 12 Degree Port
A80617	RV-412 RealVision 3D Stainless Steel Thru Hull Transducer - 12 Degree Starboard
T70451	RV-420 RealVision 3D Stainless Steel Thru Hull Transducer Pair - 20 Degree

PART NO.	DESCRIPTION
A80618	RV-420 RealVision 3D Stainless Steel Thru Hull Transducer - 20 Degree Port
A80619	RV-420 RealVision 3D Stainless Steel Thru Hull Transducer - 20 Degree Starboard

Axiom 2 Pro RVM and RVM1600 RealVision 3D Transducers

A80703	RVM-100 All-In-One Transom Mount Transducer, 8M Cable
A80704	RVM-400 RealVision 3D Stainless Steel Through Hull Transducer 0 Deg., Direct Connect to Axiom 2 and RVM1600 (8M Cable)
T70543	Pack of RVM-412 RealVision 3D Stainless Steel Thru-Hull Transducers, Port & Starboard 12 Deg., Direct Connect to Axiom 2 and RVM1600 (2 X 2M, Y-Cable & 8M Ext. Cable)
A80705	RVM-412 SS Thru-Hull Transducer, 12 Deg Port, 2M Cable
A80706	RVM-412 Stainless Steel Thru-Hull Transducer, 12 Deg Starboard, 2M Cable
T70544	Pack of RVM-420 RealVision 3D Stainless Steel Thru-Hull Transducers, Port & Starboard 20 Deg., Direct Connect to Axiom 2 and RVM1600 (2 X 2M, Y-Cable & 8M Ext. Cable)
A80707	RVM-420 Stainless Steel Thru-Hull Transducer, 20 Deg Port, 2M Cable
A80708	RVM-420 Stainless Steel Thru-Hull Transducer, 20 Deg. Starboard, 2M Cable

Non-CHIRP 50/200 Khz Transducer for Axiom DV (A80485 required), Axiom RV Only (A80489 required) & Axiom Pro RVX or VX1000 (A80496 Required)

A80485	Adaptor Cable used to attach CP370 transducers to Axiom DV
A80489	Axiom RV to CP370 Transducer Cable
A80496	Adaptor Cable to attach an Airmar transducer (8 pin) to Axiom Pro-RVX (11 pin) or RVX1000 (11 pin)
E66008	P79 Adjustable In-Hull Angle
E66013	P319 Low Profile Through Hull
E66014	Bronze B117 Low Profile Through Hull
E66077	P319 Urethane Low Profile Thru-Hull Transducer 600W
E66086	Bronze B60 D/T Through Hull with 12° Tilted Element Transducer
E66085	Bronze B60 D/T Through Hull with 20° Tilted Element Transducer
E66054	P66 Urethane D/S/T Transom Mount Transducer
A66091	Bronze B744V D/S/T Through Hull Retractable Transducer (includes E66023 Fairing Block)
A66092	Bronze B744VL D/S/T Through Hull Retractable Transducer (includes E66023 Fairing Block)
A66089	M260 D Transducer with in hull-kit
E66084	TM258 D/T Transom Mount Transducer with Transom Mount Bracket (DSM30/300 CP300/370 connect)
E66082	Bronze B258 D/T Through Hull Transducer (includes Fairing Block) (DSM30/300 & CP300/370 connect)
A102137	Bronze B164-0 D/T 0° 50/200 1kW Flush Transducer (DSM30/300 & CP300/370 connect)
A102112	Bronze B164-12 D/T 12° 50/200 kHz Low Profile (DSM30/300 & CP300/370 connect)
A102113	Bronze B164-20 D/T 20° 50/200 kHz Low Profile Transducer (DSM30/300 & CP300/370 connect)
A80451	Stainless Steel SS164 D/T 0° 50/200 1kW Through Hull Transducer (DSM30/300 & CP300/370 connect)
A66099	Stainless Steel SS164 D/T 20° 50/200 1kW Through Hull Transducer (DSM30/300 & CP300/370 connect)
E66079	Bronze B260 D/T Broadband Through Hull Stem (includes Fairing Block) (DSM30/300 & CP300/370 connect)

Speed/Temperature Transducers

E66072	Bronze B120 S/T Low Profile Through Hull Retractable Transducer (includes Y Cable) - Discontinued when inventory is depleted
--------	--

Axiom Pro RVX, RVX1000, CP470 & CP570 600W/1kW/2kW/3kW Transducers - no adaptor cable required - see CP470 section

Axiom Adaptor Cables

A80515	Adaptor - Axiom RV / PRO RVX MFD to RV Transducer right angle adaptor - 45MM
A80484	Adaptor Cable (7 pin to 9 pin) to attach an Airmar (7 pin transducer to Axiom 7 DV (9 Pin)
A80485	Adaptor Cable (9 pin to 7 pin) used to attach CP370 transducers to Axiom DV

PART NO.	DESCRIPTION
A80486	Adaptor Cable (9 pin to 9 & 7 pin Y-Cable) used to attach DownVision and embedded Airmar 600 W transducers to Axiom DV - Discontinued when inventory is depleted
A80487	Adaptor Cable (9 pin to 7 & 7 pin Y-Cable) used to attach DownVision & CP370 transducers to Axiom DV
A80488	Adaptor Cable (7 pin to 25 pin) to attach an Airmar transducer (7 pin) to Axiom RV (25 pin)
A80489	Axiom RV to CP370 Transducer Cable
A80490	Adaptor Cable (9 pin to 25 pin) attach (CPT-xxx) transducer to Axiom RV, Axiom Pro or RVX1000
A80491	Adaptor Cable (25 pin to 25 pin and 7 pin Y-Cable) used to attach RealVision and embedded 600W Airmar transducers to Axiom RV
A80492	Adaptor Cable (25 pin to 25 pin and 7 pin Y-Cable) used to attach RealVision and CP370 transducers to Axiom RV
A80493	Adaptor Cable (25 pin to 9 pin and 7 pin Y-Cable) used to attach DownVision and existing transducers to Axiom RV
A80478	RV Split Transducer Y-Cable
A80494	Adaptor Cable (25 pin to 9 pin and 8 pin Y-Cable) used to attach DownVision and CP370 transducers to Axiom RV
A80496	Adaptor Cable to attach an Airmar transducer (8 pin) to Axiom Pro-RVX (11 pin) or RVX1000 (11 pin)

Extension Cables

A80475	3M RealVision 3D Transducer Extension Cable
A80476	5M RealVision 3D Transducer Extension Cable
A80477	8M RealVision 3D Transducer Extension Cable
E66010	5m Transducer Extension Cable with Removable Back-Shell
E66066	Transducer Adaptor Cable for DSM/CP transducer to MFD

Transducer Mounting Plates

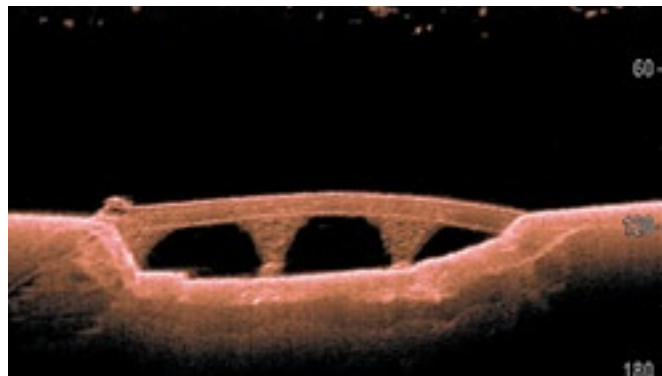
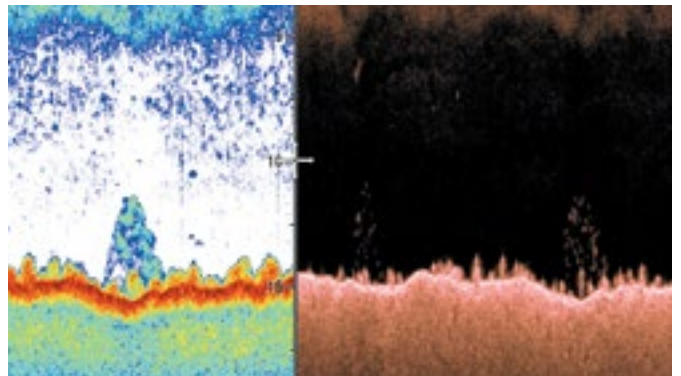
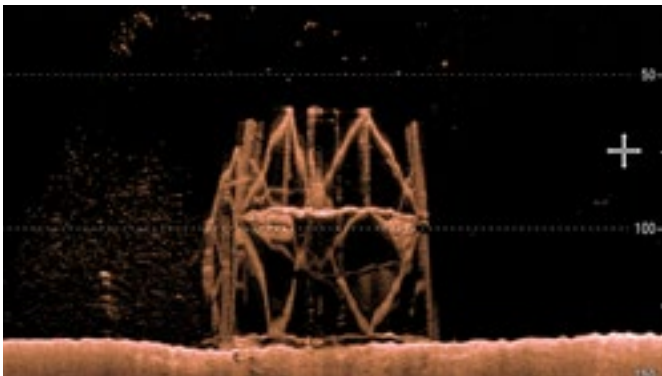
R70521	RV-100 Transom Mount Bracket
A80479	Step Mount for RV-100 RealVision 3D Transom Mount Transducer
A80702	RV Transducer High Speed Nose Cone

CP100 SONAR



CP100 DownVision Sonar Module

The CP100 network sonar module brings CHIRP DownVision technology to Raymarine's multifunction displays. CP100's CHIRP DownVision delivers a photo like view of the world beneath your boat, allowing you to image bottom structure with amazing detail and target fish simultaneously.



PART NO. DESCRIPTION

CP100

DownVision & SideVision Sounder Module

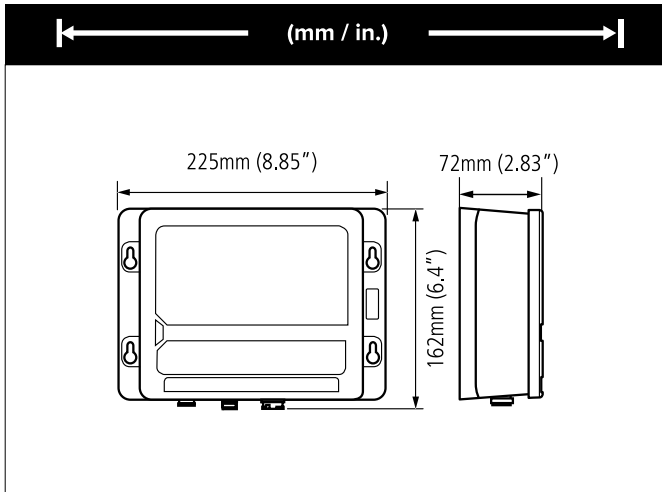
E70204 CP100 DownVision Fishfinder

CHIRP Sonar, DownVision & SideVision Transducers

E70342	CPT-S Plastic Conical HIGH CHIRP Transom Mount Transducer
A80691	CPT-S In-Hull Transducer
E70339	CPT-S Plastic Conical HIGH CHIRP Through Hull 0° Angled Element Transducer
A80448	CPT-S Plastic Conical HIGH CHIRP Through Hull 12° Angled Element Transducer
A80447	CPT-S Plastic Conical HIGH CHIRP Through Hull 20° Angled Element Transducer
A80446	CPT-S Bronze Conical HIGH CHIRP Through Hull 0° Angled Element Transducer
E70340	CPT-S Bronze Conical HIGH CHIRP Through Hull 12° Angled Element Transducer
E70341	CPT-S Bronze Conical HIGH CHIRP Through Hull 20° Angled Element Transducer
A80351	CPT-100DVS Transom Mount Chirp Transducer, Depth & Temp, Direct connect to CP100 & xx8 MFDs (10m cable)
A80277	CPT-110 Plastic Through Hull Chirp Transducer, Depth & Temp, Direct connect to CP100 & xx8 MFDs (10m cable)
A80350	CPT-120 Bronze Through Hull Chirp Transducer with High Speed Fairing, Depth & Temp, Direct connect to CP100 & xx8 MFDs (10m cable)

Accessories

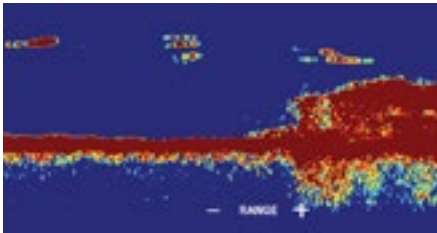
R70496	CPT-S Transom Bracket with Hardware
R70439	CPT-DV/DVS Transom Bracket with Hardware
A80273	Transducer Extension for CPT100, CPT110 & CPT120 (4m cable)



CP100: IN THE BOX

1. Sonar module
2. 1.0m (3.28 ft) power cable
3. Fixing screws
4. Documentation pack

CP370 SONAR



The CP370 delivers exceptional clarity, sharper fish targets and automatic operation using Raymarine’s next-generation ClearPulse™ digital sonar processing. The CP370 boasts up to 1,000 watts of power and operates at 200kHz for inshore and 50kHz for offshore fishing. ClearPulse signal processing intelligently manages the CP370 sonar parameters in all conditions so anglers can spend more time fishing and less time adjusting the sonar.

CP370 MFD Compatibility

aSeries | cSeries | eSeries | eS Series | gS Series | C-Widescreen G-Series- Classic E-Classic | E-Widescreen | Axiom | Axiom+ | Axiom Pro Axiom XL

PART NO. **DESCRIPTION**

CP370

CP370 Sounder Module

E70297 CP370 ClearPulse 1KW Sonar Module

Depth – 600W Transducers

E66008 P79 Adjustable In-Hull Angle

E66013 P319 Low Profile Through Hull

E66014 Bronze B117 Low Profile Through Hull

Depth/Temperature – 600W Transducers

E66085 Bronze B60 D/T Through Hull with 20° Tilted Element Transducer

E66086 Bronze B60 D/T Through Hull with 12° Tilted Element Transducer

A80568 Stainless Steel SS60 Low Profile Through Hull Transducer w/0 Degree Tilted Element

A80569 Stainless Steel SS60 Low Profile Through Hull Transducer w/12 Degree Tilted Element

A80570 Stainless Steel SS60 Low Profile Through Hull Transducer w/20 Degree Tilted Element

E66077 P319 Urethane Low Profile Thru-Hull Transducer 600W

PART NO. DESCRIPTION

Depth/Speed/Temperature - 600W Transducers

E66054	P66 Urethane D/S/T Transom Mount Transducer
A66091	Bronze B744V D/S/T Through Hull Retractable Transducer (includes E66023 Fairing Block)
A66092	Bronze B744VL D/S/T Through Hull Retractable Transducer (includes E66023 Fairing Block)

Depth - 1kW High-Performance Transducers

A66089	M260 D Transducer with in hull-kit
--------	------------------------------------

Depth/Temperature – 1kW High-Performance Transducers

E66084	TM258 D/T Transom Mount Transducer with Transom Mount Bracket (DSM30/300 CP300/370 connect)
E66082	Bronze B258 D/T Through Hull Transducer (includes Fairing Block) (DSM30/300 & CP300/370 connect)
A102112	Bronze B164-12 D/T 12° 50/200 kHz Low Profile (DSM30/300 & CP300/370 connect)
A102113	Bronze B164-20 D/T 20° 50/200 kHz Low Profile Transducer (DSM30/300 & CP300/370 connect)
A102137	Bronze B164-0 D/T 0° 50/200 1kW Flush Transducer (DSM30/300 & CP300/370 connect)
A80451	Stainless Steel SS164 D/T 0° 50/200 1kW Through Hull Transducer (DSM30/300 & CP300/370 connect)
A66099	Stainless Steel SS164 D/T 20° 50/200 1kW Through Hull Transducer (DSM30/300 & CP300/370 connect)
E66079	Bronze B260 D/T Broadband Through Hull Stem (includes Fairing Block) (DSM30/300 & CP300/370 connect)

Speed/Temperature – Transducers

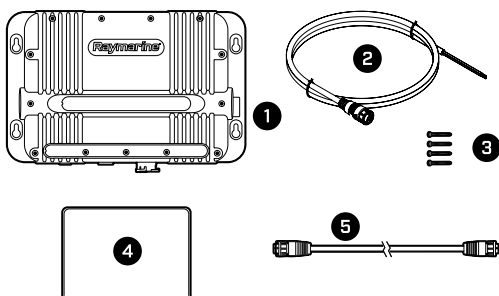
E66072	Bronze B120 S/T Low Profile Through Hull Retractable Transducer (includes Y Cable)
--------	--

Accessories

R69011	DSM/Radar Transducer Locking Ring Kit
E66010	5m Transducer Extension Cable with Removable Back-Shell
E66066	Transducer Adaptor Cable for DSM/CP transducer to MFD
E66023	B744V/B744VL Hi-Speed Fairing Block

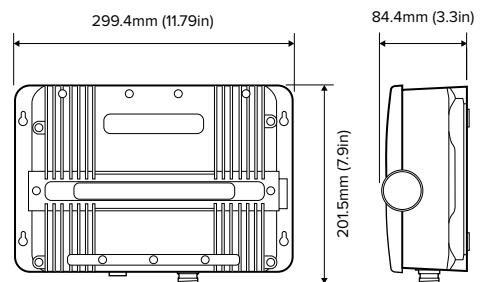


CP370: IN THE BOX



1. Sonar module
2. 1.5m (5 ft) power cable
3. No.8 fixing screws
4. Documentation pack
5. 2m (6.56 ft) RayNet (Female to Female) network cable

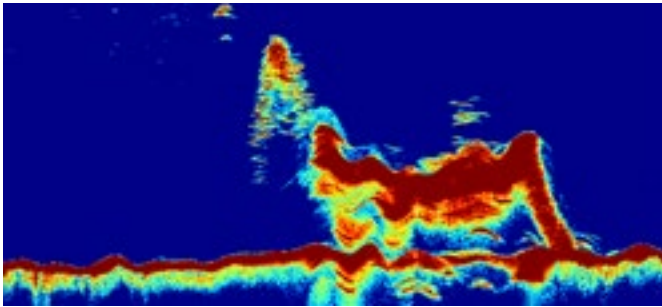
← (mm / in.) →



CP470 & CP570 SONAR

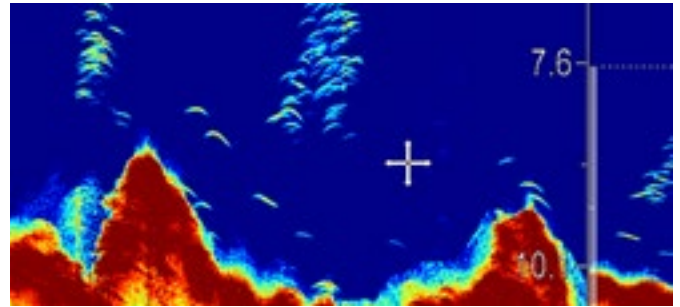


With ten times the resolution of ordinary sonars, the CP470 and CP570 CHIRP sonar modules deliver sharper, more defined fish targets and automatically filter out unwanted noise. Pair these powerful CHIRP sonar modules with any Axiom MFD, and you will never miss any of the action below.



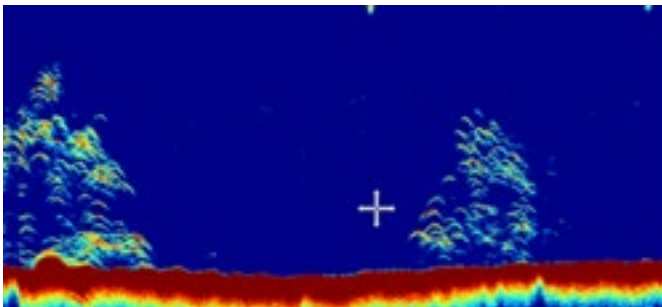
Serious Offshore Sonar

Using a choice of Low, Medium or High frequencies, the CP470 and CP570's advanced CHIRP transceivers can see through dense schools of baitfish, identify thermoclines and simultaneously target desired game fish.



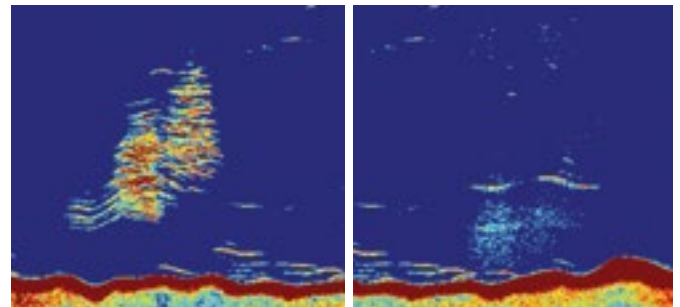
Best-in-Class Target Separation

The CP470 and CP570 deliver superior target definition and enhanced sensitivity using Raymarine's exclusive wide spectrum CHIRP sonar technology.



CP470 2kW CHIRP

Target fish, identify bait and track the seafloor down to 10,000 ft. (3,000 m) with two adjustable CHIRP sonar channels.



CP570: Up to 4kW of Power

Step up to the CP570 with a combined 4kW of CHIRP sonar power. Hunt for fish in different parts of the water column with the CP570's two fully independent 2kW sonar channels.

PART NO.	DESCRIPTION
----------	-------------

CP470 & CP570

CP470/CP570 Sounder Module

E70298	CP470 Clear Pulse 470 CHIRP
E70258	CP570 Clear Pulse 570 CHIRP

CP470/CP570 300W - 600W Transducers

A80014	B765LH D/T Through Hull Low (300W) - High (600W) Transducer
A80018	B75H Bronze Low Profile D/T Through Hull Transducer 0° Angle (600W)
A80036	B75M Bronze Low Profile D/T Through Hull Transducer 20° Angle (600W)
A80037	B75H Bronze Low Profile D/T Through Hull Transducer 20° Angle (600W)

CP470/CP570 1kW Transducers

A80043	B175M Bronze Low Profile 1000W D/T Through Hull Transducer 0° Angle
A80044	B175H Bronze Low Profile 1000W D/T Through Hull Transducer 0° Angle
A80045	B175L Bronze Low Profile 1000W D/T Through Hull Transducer 12° Angle
A80046	B175M Bronze Low Profile 1000W D/T Through Hull Transducer 12° Angle
A80047	B175H Bronze Low Profile 1000W D/T Through Hull Transducer 12° Angle
A80048	B175L Bronze Low Profile 1000W D/T Through Hull Transducer 20° Angle
A80049	B175M Bronze Low Profile 1000W D/T Through Hull Transducer 20° Angle
A80050	B175H Bronze Low Profile 1000W D/T Through Hull Transducer 20° Angle
A80319	B175H-W 1000W D/T Through Hull Wide Beam Transducer 0° Angle
A80320	B175H-W 1000W D/T Through Hull Wide Beam Transducer 12° Angle
A80321	B175H-W 1000W D/T Through Hull Wide Beam Transducer 20° Angle
A80010	B265LH D/T Through Hull Low-High Transducer
A80011	B265LM D/T Through Hull Low-Medium Transducer
A80322	B275LH-W 1000W D/T Through Hull Low-High Wide Beam Bronze Transducer with Fairing Block
A80539	B275LH-W 1000W D/T Short Stem Through Hull Low-High Wide Beam Bronze Transducer with Fairing Block
A80012	M265LH D In Hull Low-High Transducer
A80038	M265LM D In Hull Low-Medium Transducer
A80013	TM265 LH D/T Transom Mount Low-High Transducer
A80041	TM265 LM D/T Transom Mount Low-Medium Transducer
A80318	TM275LH-W 1000W D/T Transom Mount Low-High Wide Beam Transducer
A80325	PM275LH-W 1000W D/T Pocket/Keel Mount Low-High Wide Beam Transducer
A80504	SS175L Stainless Steel Low Profile 1000W D/T Through Hull Transducer 20° Angle
A80505	SS175M Stainless Steel Low Profile 1000W D/T Through Hull Transducer 20° Angle
A80506	SS175H-W Low Profile 1000W D/T Through Hull Wide Beam Transducer 20° Angle

CP470/CP570 2kW Transducers (Note: ALL -W transducers require extension cable)

A80039	R109 D/T Through Hull Low-High 2KW molded Transducer
A80040	R109 D/T Through Hull Low-Medium 2KW molded Transducer
A80323	R109LH-W 2000W D/T Through Hull Low-High molded Wide Beam Transducer
A80133	R111 D/T In Hull Low-High 2KW Molded Transducer
A80134	R111 D/T In Hull Low-Medium 2KW Molded Transducer
A80326	PM111LH-W 2000W D/T In Hull/Pocket/Keel Mount Low-High Wide Beam Transducer
A80378	PM411LM-W UltraWide 2KW Pocket/Keel-Mount Low-Medium CHIRP Transducer
A80377	R409LM-W UltraWide 2KW Through Hull Low-Medium CHIRP Transducer

CP470/CP570 3KW Transducers (Note: ALL -W transducers require extension cable)

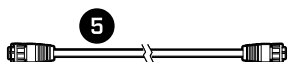
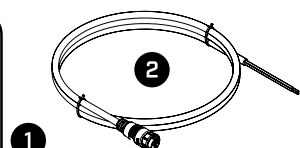
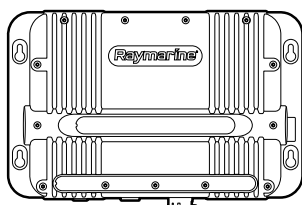
A80210	R509 D/T Through Hull Low-High Hi Performance 3KW Transducer
A80211	R509 D/T Through Hull Low-Medium Hi Performance 3KW Transducer
A80324	R509LH-W 3000W D/T Through Hull Wide Beam Transducer
A80212	R599 D/T In Hull Low-High Hi Performance 3KW Transducer
A80213	R599 D/T In Hull Low-Medium Hi Performance 3KW Transducer

CP470/CP570 Accessories

A102146	CP470/CP570 Y-Cable
A102148	CP470/CP570 3m Transducer Extension Cable
A102150	CP470/CP570 5m Transducer Extension Cable
A80327	CP470/CP570 10m Transducer Extension Cable
A80328	Single B75/B175 Operation Cable
A80346	CP370/CP470/CP570 Power Cable

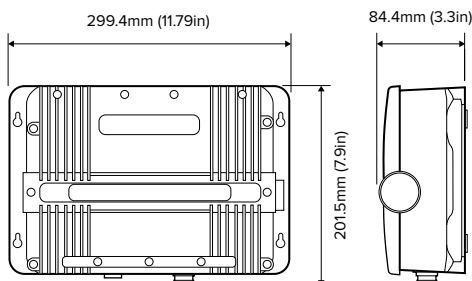


CP470 / CP570: IN THE BOX



1. Sonar module
2. 1.5 m (5 ft) power cable
3. No.8 fixing screws
4. Documentation pack
5. 2 m (6.56 ft) RayNet (Female) to RayNet (Female) network cable

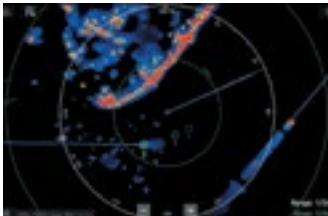
← (mm / in.) →



QUANTUM RADAR



Day and night, radar systems from Raymarine keep you aware of surrounding traffic, hazards and obstacles, approaching weather and so much more. Use your radar to navigate in dense fog or rain. Confirm your boat's position with super-accurate radar ranges. Let MARPA help you navigate safely through a crowded harbour. Enjoy map-like coastal detail when cruising offshore. Raymarine offers a wide range of radar solutions for all types and sizes of boats.



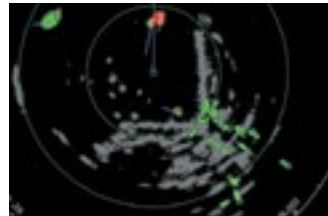
Compact Performance

Quantum radars use solid-state CHIRP pulse compression technology to deliver superior target awareness at both long and extremely short ranges. FLIR's exclusive ATX™ advanced target separation technology displays targets like boats, buoys and landmarks with exceptional resolution and separation quality.



Energy Efficient

Quantum radars solid-state technology consumes very little power, making Quantum especially friendly to vessels running on battery power. Solid-state radar technology also generates very low radiated emissions.



Quantum 2 with Doppler

Quantum 2 with Doppler elevates your awareness by detecting radar frequency shifts returned by moving versus stationary targets. Quantum 2 then color codes inbound targets red (dangerous) and outbound targets green (safe), making it easy to discern potentially hazardous situations when navigating in high-traffic areas.



Simple Installation

With every Raymarine Quantum system, you'll also benefit from a rugged and lightweight design that is easy to install. Quantum 2 can be installed in a traditionally wired configuration, or use built-in Wi-Fi technology to connect directly to your Raymarine MFD.

NEW

Quantum is now available in black.

PART NO. DESCRIPTION

Radar

Quantum, Pulse Compressed CHIRP Radar

E70210	Quantum Q24C 18" Radar with 10m Power Cable
T70243	Quantum Q24C 18" Radar with 10m Power and 10m Data Cable
T70266	Quantum Q24C 18" Radar with 15m Power and 15m Data Cable

Quantum 2 CHIRP Radar with Doppler Collision Avoidance Technology

E70498	Quantum 2 Q24D Doppler 18" Radar - No Cables
T70416	Quantum 2 Q24D Doppler 18" Radar with 10m Power and Data Cable
T70417	Quantum 2 Q24D Doppler 18" Radar with 15m Power and Data Cable

Black Quantum 2 Doppler, Pulse Compressed CHIRP Radar

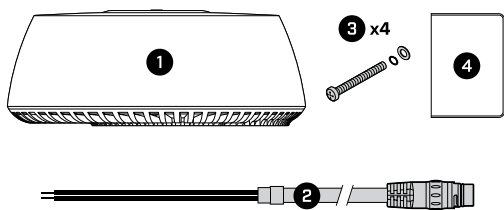
E70498-B	Black Quantum 2 Q24D Doppler 18" Radar with no Power or Data Cable
T70549	Black Quantum 2 Q24D Doppler 18" Radar with 10m Power and Data Cable
T70550	Black Quantum 2 Q24D Doppler 18" Radar with 15m Power and Data Cable

Quantum Cables

A80274	Quantum Data Cable 5m with RayNet connector
A80275	Quantum Data Cable 10m with RayNet Connector
A80310	Quantum Data Cable 15m with RayNet Connector
A80311	Quantum Data Cable 25m with RayNet Connector
A80309	Quantum Power Cable 10m with bare wires
A80369	Quantum Power Cable 15m with bare wires
A80308	Quantum Power-Data Adapter Cable

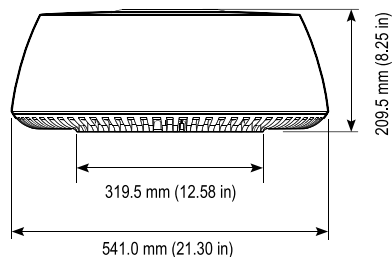


QUANTUM / QUANTUM 2: IN THE BOX



1. Quantum™ Radome
2. 10 m (32.8 ft.) Power cable
3. M8 mounting bolts with spring washers and flat washers
4. Documentation pack (including mounting template)

← (mm / in.) →

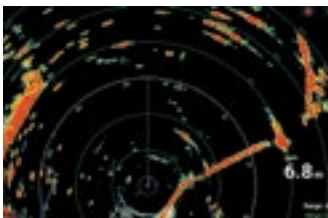


MAGNUM RADAR



Magnum Open Arrays

Magnum™ high-performance open array radars bring long-range performance and enhanced small target radar imaging to Raymarine multifunction navigation displays. Employing many of the same radar technologies trusted by the United States Coast Guard, Magnum offers intelligent target tracking and reliable performance, all packaged in a sleek open array pedestal built to withstand the elements.



Long Range Performance

Magnum is available in 4kW or 12kW power output options and with either a four-foot or six-foot antenna array option. Magnum radars offer a maximum range up to 96nm for 12kW models – ideal for blue water vessels – and up to 72nm for 4kW models.



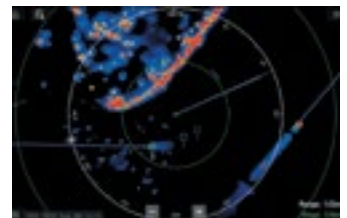
Choice of the Pros

Magnum radars are built upon the same radar technology Raymarine provides to the United States Coast Guard, so you can trust Magnum to deliver with professional features like beam sharpening technology for enhanced detail and bearing resolution. Combine Magnum with Axiom and take advantage of True Trails target history display and real-time heading updates.



Superior Bird Mode

Magnum's advanced Bird Mode automatically optimizes the radar image, so captains can target sea birds with greater clarity up to 10nm. Locating flocks of birds with Magnum helps anglers find schooling baitfish faster and with less fuel consumption.



Enhanced Target Awareness

Magnum delivers better situational awareness with fully automatic MARPA target acquisition and tracking. Magnum also makes use of Raymarine's Evolution or AR200 9-axis heading sensor technology to provide real-time, accurate target plots.

PART NO. DESCRIPTION

Radar

HD Color Radome Radar Scanners

E92142	4kW 18" (456mm) HD Color Radome no Cable
T70168	4kW 18" (456mm) HD Color Radome + 10m RayNet Cable
E92143	4kW 24" (608mm) HD Color Radome no Cable
T70169	4kW 24" (608mm) HD Color Radome + 10m RayNet Cable

Magnum Color Open Array Antenna Packs

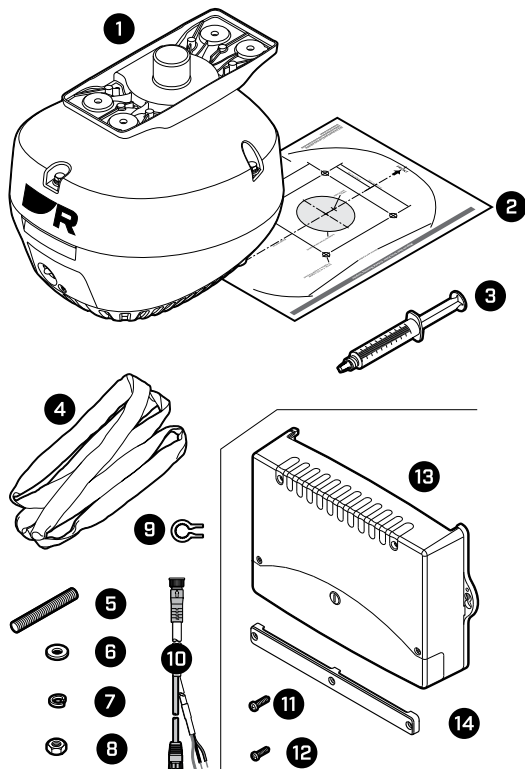
T70408	4kW Magnum with 48" Open Array and 15M RayNet Cable (Includes VCM100)
T70410	4kW Magnum with 72" Open Array and 15M RayNet Cable (Includes VCM100)
T70412	12kW Magnum with 48" Open Array and 15M RayNet Cable (Includes VCM100)
T70414	12kW Magnum with 72" Open Array and 15M RayNet Cable (Includes VCM100)

Magnum Open Array Components

E70484	4kW Magnum Pedestal with VCM100
E70487	12kW Magnum Pedestal with VCM100
E70490	Magnum 48" Open Array
E70491	Magnum 72" Open Array
E52091	VCM100 – Voltage Converter Module (spare)



MAGNUM PEDESTAL : IN THE BOX



1. Pedestal
2. Mounting template
3. Denso paste
4. Lifting sling
5. Stud
6. Plain washer
7. Spring washer
8. Nut
9. Cable tightening tool
10. Radar-to-'RayNet & power' cable (15 m)
11. VCM100 mounting screw
12. VCM100 cable clamp mounting screw
13. VCM100 Voltage Converter Module
14. VCM100 cable clamp

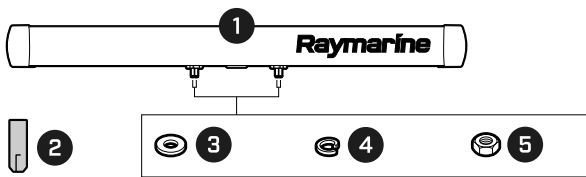
PART NO. DESCRIPTION

Radar Scanner Cables

A80227	5m Digital Radar Cable with RayNet Connector
A80228	10m Digital Radar Cable with RayNet Connector
A80229	15m Digital Radar Cable with RayNet Connector
A80230	25m Digital Radar Cable with RayNet Connector
A55076D	5m Digital Radar Cable (RJ45 Connector)
A55077D	10m Digital Radar Cable (RJ45 Connector)
A55078D	15m Digital Radar Cable (RJ45 Connector)
A55079D	25m Digital Radar Cable (RJ45 Connector)
A92141D	2.5m Digital Radar Extension Cable
A55080D	5m Digital Radar Extension Cable
A55081D	10m Digital Radar Extension Cable
A80160	RayNet (F) to SeaTalkHS (F) adaptor - 400mm

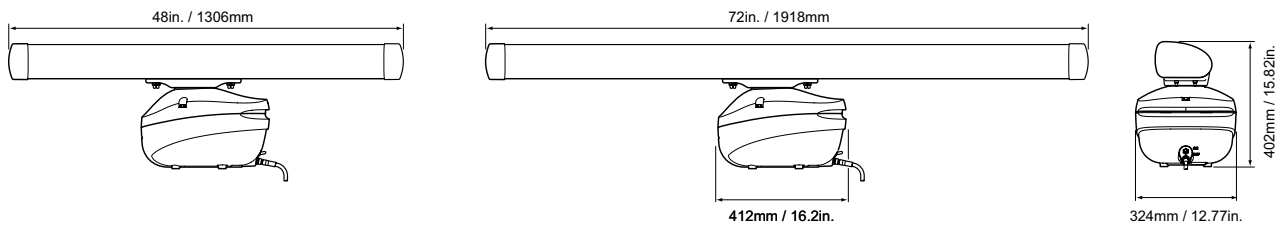


MAGNUM ARRAY : IN THE BOX



1. Antenna (4 ft or 6 ft – 4 ft illustrated)
2. Threaded alignment guide
3. Washer
4. Spring washer
5. Nut

← (mm / in.) →



CYCLONE RADAR



Cyclone Solid-State Open Array Radar

Cyclone radars are the ultimate expression of design, rugged performance and unmatched situational awareness. Tackle the harshest conditions with the confidence of Cyclone's solid-state CHIRP pulse compression technology and aircraft wing-inspired design. Each model features innovative detection capabilities, including Cyclone, RangeFusion™ technology and high-speed 60 rpm imaging.

Engineered for Extremes

The aircraft-wing-inspired design delivers a best-in-class 100-knot wind rating and meets the commercial grade IEC 62388 standard for ship borne radar.

Real-Time Target Tracking

Fast 60 RPM rotational speed delivers 360 degrees of awareness and accurate target tracks in real time.

Safer Navigation with Doppler

Doppler target tracking simplifies the interpretation of dangerous and safe targets for added safety.

Professional-Grade ARPA

Cyclone automatically tracks up to 50 targets using the same advanced ARPA technology trusted by the United States Coast Guard.

RangeFusion Technology

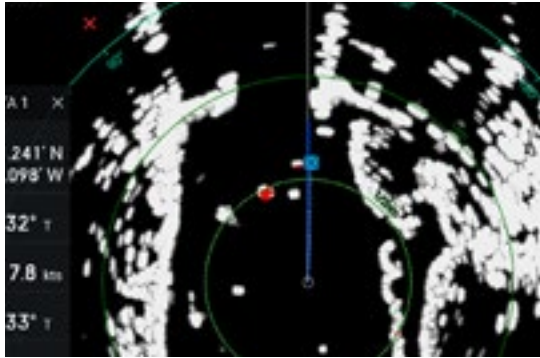
Cyclone combines short and long pulses into a single high clarity radar image, simultaneously delivering exceptional short-range and long-range targets.

Three Array Size Options

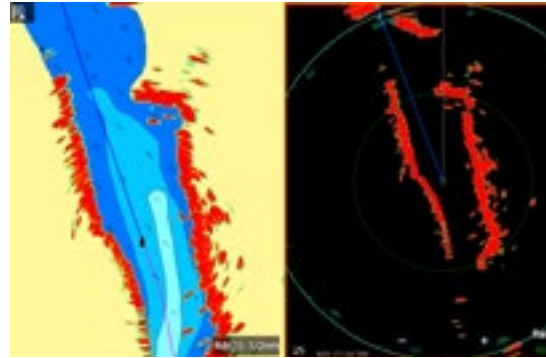
4- and 6-foot options deliver superior target separation and range, while the 3-foot array provides open array performance in tight spaces.

Two Power Output Options

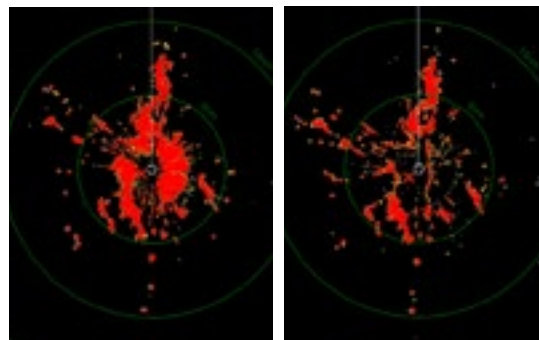
The base model Cyclone operates at 55 Watts. Step up to improved weather and long-range performance with 110 Watt Cyclone Pro.



Doppler Target Tracking



Precise shore line detail and long range target separation



RangeFusion combines short and long pulses into single image

PART NO. DESCRIPTION

Radar

HD Color Radome Radar Scanners

E92142	4kW 18" (456mm) HD Color Radome no Cable
T70168	4kW 18" (456mm) HD Color Radome + 10m RayNet Cable
E92143	4kW 24" (608mm) HD Color Radome no Cable
T70169	4kW 24" (608mm) HD Color Radome + 10m RayNet Cable

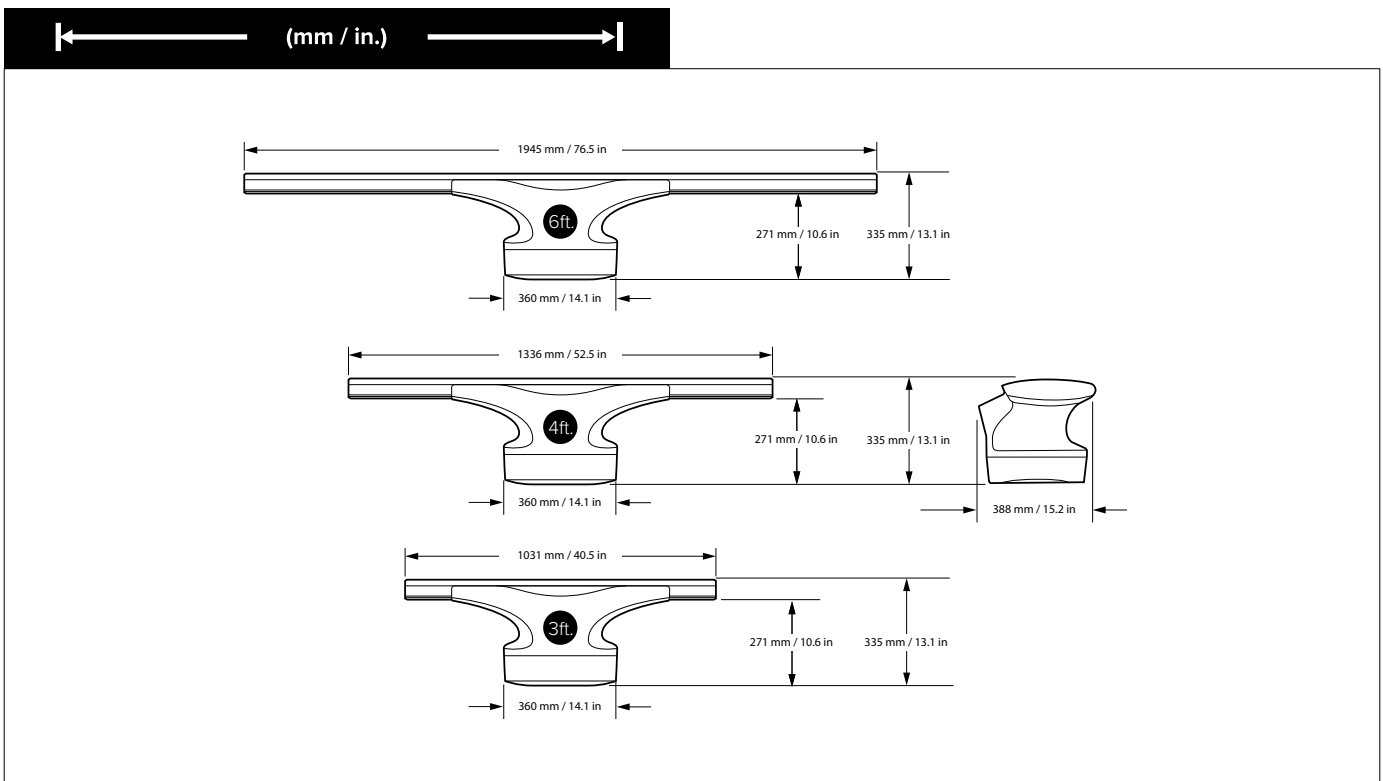
Cyclone Color Open Array Antenna Packs

T70491	Cyclone 55 Watts 3ft Open Array Radar with 15M Cables
T70492	Cyclone 55 Watts 4ft Open Array Radar with 15M Cables
T70493	Cyclone 55 Watts 6ft Open Array Radar with 15M Cables
T70494	Cyclone Pro 110 Watts 3ft Open Array Radar with 15M Cables
T70495	Cyclone Pro 110 Watts 4ft Open Array Radar with 15M Cables
T70496	Cyclone Pro 110 Watts 6ft Open Array Radar with 15M Cables

Cyclone Open Array Components

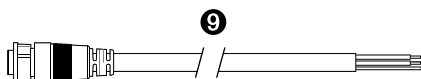
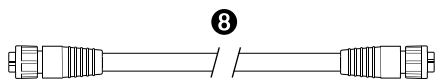
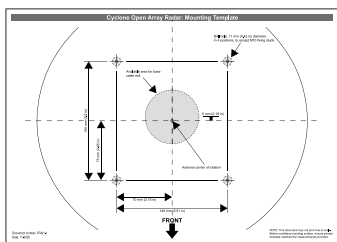
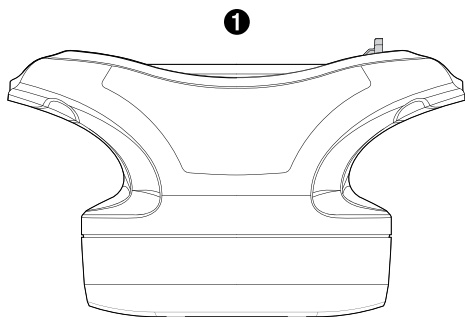
E70620	Cyclone Pedestal 55 Watts
E70621	Cyclone Pro Pedestal 110 Watts
E70628	Cyclone 3ft Open Array
E70629	Cyclone 4ft Open Array
E70630	Cyclone 6ft Open Array

PART NO.	DESCRIPTION
Cyclone Cables	
A80651	Cyclone Power Cable, 5M
A80652	Cyclone Power Cable, 10M
A80653	Cyclone Power Cable, 15M
A80654	Cyclone Power Cable, 25M
A80656	Quantum/Cyclone Data Cable, 5M
A80657	Quantum/Cyclone Data Cable, 10M
A80658	Quantum/Cyclone Data Cable, 15M
A80659	Quantum/Cyclone Data Cable, 25M
Radome Mast Mounts	
A80382	ScanStrut Quantum Radome Mast Mount
M92722	ScanStrut Mast Mount Bracket for 18" Radome Scanner
M92698	ScanStrut Mast Mount Bracket for 24" Radome Scanner
X10006-SCA	Scanstrut Radar Guard for M92722 suitable for 18" Radome (not compatible with Quantum)
X10000-SCA	ScanStrut Self Leveling Mast Mount for 18"/24" Radome Scanner
APT-150-01	ScanStrut 5" PowerTower for Quantum & HD Radome
Accessories	
A80007	HS-5 Network Switch (RayNet)
A80731	RNS-5 - 5 Port RayNet Gigabit Switch - Discontinued when inventory is depleted
A80732	RNS-8 - RayNet Network Switch 4X POE
A80162	RayNet (M) to RayNet (M) cable - 100mm
E55060	SeaTalkHS Crossover Coupler
4115028	Connector, RF45 Waterproof Enclosure
A80631	USB Encryption Key for Radar SDK
DS21B-P	Magnum Radar Cable Seal (ScanStrut)

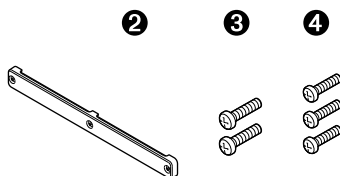
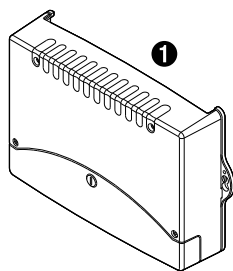




CYCLONE: IN THE BOX

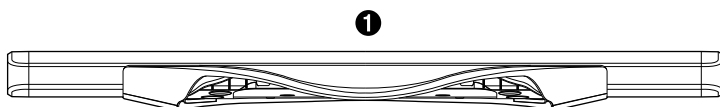


- 1. Pedestal
- 2. M10 Stud x4
- 3. M10 Nut x8
- 4. M10 Spring Washer x4
- 5. M10 Plain washer x4
- 6. Mounting gasket
- 7. Mounting template
- 8. Radar data cable
- 9. Power cable



- 1. VCM100
- 2. Cable clamp
- 3. VCM100 mounting screw x2
- 4. Cable clamp mounting screw x3

NOTE: The VCM100 is included with the Cyclone pedestal assembly



- 1. Antenna
- 2. Threaded alignment guide
- 3. Washer
- 4. Spring washer
- 5. Nut

AUTOPILOTS



The culmination of Raymarine’s autopilot expertise and advanced aerospace guidance technology, Evolution Autopilots deliver a new level of precision steering control. Each Evolution Autopilot system consists of the following components: an Evolution 9-axis sensor core, an actuator control unit (ACU), a drive mechanism and a control head.

EV-200 Inboard

The EV-200 system pack controls vessels with any Type 1 drive unit (Hydraulic, Linear, Sail or Power).



EV-400 Inboard

The EV-400 pack controls vessels with any Type 1 to Type 3 mechanical or hydraulic drive units.



EV-2 Drive-By-Wire Inboard

EV-2 has been designed for the latest drive-by-wire steering systems and connects directly to Raymarine’s SeaTalk^{NG} bus.

Includes: Volvo; Teleflex Optimus; Xenta; Yamaha and more.



EV-300 Solenoid Inboard

The EV-300 system is for use with electric solenoids that control the vessels hydraulic steering system.

Inboard Autopilots

Drive Units	RAM Capacity cc / cu in (Hydraulic)	Vessel Displacement kg / lbs	Autopilot Control Unit				
			EV-100	EV150	EV-200	EV-300	EV-400
Type 0.5L Hydraulic Pump	50–125 / 3–7.6	NA	●	●			
Type 1 Hydraulic Pump	80–230 / 4.9–14	NA		●	●		
Type 1 Mechanical Rotary / Linear Drives		11,000 / 24,000			●		
Type 1 Universal Stern Drives		NA			●		
Type 2 Hydraulic Pump	230–350 / 14–21	NA					●
Type 3 Hydraulic Pump	350–500 / 21–30.5	NA					●
Type 2 Hydraulic Linear		22,000 / 48,000					●
Type 3 Hydraulic Linear		35,000 / 77,000					●
Type 2 Short Mechanical Linear Drives		15,000 / 33,000					●
Type 2 Long Mechanical Linear Drives		20,000 / 44,000					●
Type 2 Mechanical Rotary Drives		20,000 / 44,000					●
Solenoid Drive Units		NA				●	
ZF Saildrive Systems		NA					●



EV-100 Wheel

The EV-100 wheel pilot comprises a fully enclosed wheel-drive for simple installation and superb autopilot performance.



EV-100 Tiller

The Raymarine EV-100 Tiller Pilots are perfect for large tiller steered yachts up to 6,000kg (13,200 lbs) displacement.



EV-100/EV-150 Power Pilot

For single outboard powered boats with hydraulic steering, the EV-100 and EV-150 deliver perfect steering using Raymarine’s exclusive Hydro-Balance™ technology.

Cockpit Autopilots

Cockpit Pilot Description	Maximum Displacement	Vessel Type	Pack Contents			
			EV	ACU	Control Head	Drive
EV-100 Wheel	7,500kg (16,000lbs)	Sail	EV-1	ACU-100	p70s	Wheel Drive
EV-100 Tiller	6,000kg (13,200lbs)	Sail	EV-1	ACU-100	p70s	Tiller Drive

Remember to always take the fully laden displacement weight of your vessel into account (often 20% above the designed displacement).

PART NO. DESCRIPTION

Autopilot

Evolution System Packs with drives, no control head

T70248	EV-100 Wheel Pilot, ACU-100, EV1 Sensor Core, EV1 Cabling kit & Wheel Drive. Note MFD or autopilot control head is required
T70249	EV-100 Tiller Pilot, ACU-100, EV1 Sensor Core, EV1 Cabling kit & Tiller Drive. Note MFD or autopilot control head is required
T70250	EV-100 Power Pilot, ACU-100, EV1 Sensor Core, EV1 Cabling kit & 0.5l hydraulic pump. Note MFD or autopilot control head is required

Evolution System Packs with drives

T70154	EV-100 Power Pilot with p70Rs control head, ACU-100, EV1 Sensor Core, EV1 Cabling kit & 0.5l hydraulic pump
T70153	EV-100 Tiller Pilot with p70s control head, ACU-100, EV1 Sensor Core, EV1 Cabling kit & Tiller Drive
T70152	EV-100 Wheel Pilot with p70s control head, ACU-100, EV1 Sensor Core, EV1 Cabling kit & Wheel Drive
T70330	EV-150 Power Pilot with p70Rs control head, ACU-150, EV1 Sensor Core, EV1 Cabling kit & 1.0L hydraulic pump
T70157	EV-200 Hydraulic Autopilot with p70Rs control head, ACU-200, EV1 Sensor Core, EV1 Cabling kit & Type 1 Hydraulic pump
T70158	EV-200 Linear Autopilot with p70s control head, ACU-200, EV1 Sensor Core, EV1 Cabling kit & Type 1 Mechanical Linear drive

Evolution System Packs

T70281	EV-100 Wheel Pilot with p70s control head & ACU-100, EV1 Sensor Core, EV1 Cabling kit (suitable for 0.5l Hydraulic, Wheel & Tiller drives)
T70407	EV-150 Power Pilot with p70Rs control head & ACU-150, EV1 Sensor Core, EV1 Cabling kit (suitable for 1.0L Hydraulic Drive)
T70155	EV-200 Sail Pilot with p70s control head & ACU-200, EV1 Sensor Core, EV1 Cabling kit (suitable for Type 1 drives)
T70156	EV-200 Power Pilot with p70Rs control head & ACU-200, EV1 Sensor Core, EV1 Cabling kit (suitable for Type 1 drives)
T70160	EV-300 Solenoid Autopilot with p70Rs control head & ACU-300, EV1 Sensor Core, EV1 Cabling kit (suitable for Solenoid drives)
T70164	EV-DBW Autopilot with p70Rs control head, EV2 Sensor Core, EV2 Cabling kit (suitable for drive by wire steering systems)
T70214	EV-DBW Volvo Edition Autopilot with p70Rs control head, EV2 Sensor Core, EV2 Cabling kit (direct Volvo IPS /Aquamatic system connection)
T70161	EV-400 Sail Autopilot with p70s control head & ACU-400, EV1 Sensor Core, EV1 Cabling kit (suitable for Type 2 & 3 drives)
T70162	EV-400 Power Autopilot with p70Rs control head & ACU-400, EV1 Sensor Core, EV1 Cabling kit (suitable for Type 2 & 3 drives)

Autopilot Control Unit

E70328	p70s Autopilot Control Head (Sail)
E70329	p70Rs Autopilot Control Head (Power)
A80532	Autopilot Follow-On Teller Steer Control Head (Standby - Power Steer - Standby)
A80602	Autopilot Follow-On Tiller Steer Control Head (Auto - Power Steer - Auto)

Evolution Components

E70096	Evolution EV1 Sensor Core
E70097	Evolution EV2 Sensor Core
E70098	ACU-100 Actuator Control Unit
E70430	ACU-150 Actuator Control Unit
E70099	ACU-200 Actuator Control Unit
E70139	ACU-300 Actuator Control Unit
E70100	ACU-400 Actuator Control Unit
A80737	EV100 Tiller Drive and Installation Kit

Evolution Accessories

R70160	Evolution Cabling Kit
R70192	Evolution Cabling Kit EV-2
R70161	Evolution EV-unit seal pack
R70162	Evolution EV-unit wall bracket
A18084	Wheel Pilot Clutch Kit
A80355	Black Bezel for i50/i60/i70/Pilots (eS series style)
R70663	Black Suncover i50/i60/i70/p70/i70s/p70s (Axiom style)

PART NO.	DESCRIPTION
R70664	Black Suncover for p70R/p70Rs (Axiom style)
A80356	Gunmetal Bezel for i50/60/70/Pilots (eS series style)
A80357	Gray Suncover i50/i60/i70/p70/i70s/p70s (eS series style)
A80358	Gray Suncover for p70R/p70Rs (eS series style)
R22168	Gunmetal Bezel for i50/60/70/Pilots (a, c, e series style)
R22169	i50 / i60 / i70 / p70 Suncover (a, c, e, series style)

Engine Control Interface & Accessories

E70227	ECI-100 Universal Engine and Control Interface
A80649	Volvo Penta Gateway, 1-6 Engines
E70240	Volvo Engine EVC Link Cable (1M)
E70241	Volvo Engine Y-Loom cable
E70242	Yamaha Command-Link Cable 1M
E70305	Caterpillar Engine 12 Pin Link Cable (400mm)
E70260	NMEA 2000 Devicenet male to Devicenet female cable (2m)

Rotary Drive Units

M81135	Type 1/12v Rotary Drive
M81136	Type 2/12v Rotary Drive
M81137	Type 2/24v Rotary Drive

Hydraulic Pumps

E12139	Type 0.5/12v Hydraulic Pump
M81120	Type 1/12v Hydraulic Pump
M81121	Type 2 /12v Hydraulic Pump
M81122	Type 3/12v Hydraulic Pump
M81119	Type 1/24v Hydraulic Pump
M81123	Type 2/24v Hydraulic Pump
M81124	Type 3/24v Hydraulic Pump

Hydraulic Linear Drives

E12207	Type 2/12v Hydraulic Linear Drive
E12208	Type 2/24v Hydraulic Linear Drive
M81202	Type 3/12v Hydraulic Linear Drive
M81203	Type 3/24v Hydraulic Linear Drive

Mechanical Linear Drive Units

M81130	Type 1/12v Short Shaft Linear Drive
M81131	Type 2/12v Short Shaft Linear Drive
M81132	Type 2/12v Long Shaft Linear Drive
M81133	Type 2/24v Short Shaft Linear Drive
M81134	Type 2/24v Long Shaft Linear Drive

Accessories

A18127	Verado Hydraulic Hose Kit
A80280	Hydraulic Pump Top Port Adaptor
D250	ST Steel Rudder Reference Ball Pin
M81166	D.P. Check Valve
M81167	Solenoid 12v
M81182	13 Tooth SProcket

PART NO.	DESCRIPTION
M81183	15 Tooth SProcket
M81105	Rudder Angle Transducer

Tiller Pilots

A12004	ST1000+ Tiller
A12005	ST2000+ Tiller



ST1000/ST2000 Tiller

Removable Cockpit Autopilots for Tiller Steered Yachts.
Tiller pilots have consistently been the world's most popular pilot.

Recommended Maximum Displacement Raymarine ST1000: 3,000kg (6,600lbs) Raymarine ST2000: 4,500kg (10,000lbs) Remember to always take the fully laden displacement weight of your vessel into account (often 20% above the designed displacement).

Cockpit Accessories - Tiller

Q047	Tiller Drive Only
D001	Tiller Pin (5 per Pack)
D002	Mounting Socket (5 per Pack)
D003	Pushrod Extension 25mm (1")
D004	Pushrod Extension 51mm (2")
D005	Pushrod Extension 76mm (3")
D006	Pushrod Extension 102mm (4")
D007	Pushrod Extension 127mm (5")
D008	Pushrod Extension 153mm (6")
D009	Tiller Bracket 25mm (1")
D010	Tiller Bracket 51mm (2")
D011	Tiller Bracket 76mm (3")
D159	Tiller Bracket 102mm (4")
D160	Tiller Bracket 127mm (5")
D337	ST1/2000+ Tiller Pilot Plug
D338	ST1/2000+ Tiller Pilot Socket
D339	ST1/2000+ Tiller Pilot Plug and Socket
D026	Pedestal Assembly 38mm (1.5")
D027	Pedestal Assembly 51mm (2")
D028	Pedestal Assembly 64mm (2.5")
D029	Pedestal Assembly 76mm (3")
D030	Pedestal Assembly 89mm (3.5")
D031	Cantilever Socket Assembly
G004	Tiller Arm End Cap

Cockpit Accessories - Wheel

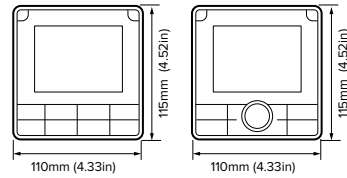
E12093	Wheel Drive (inc. Fitting Kit)
E15017	Wheel Drive Flat Pedestal Kit
E15018	Wheel Drive GOIOT Installation Kit
A18083	Replacement Belt for Gray Wheel Drive



P70RS/P70S

1. Documentation
2. Panel seal gasket
3. 400 mm (15.7 in) SeaTalkng spur cable (A06038)
4. p70s or p70Rs Pilot controller
5. Suncover
6. Spare gunmetal bezel (A80354)
7. Mounting fixings x 4

← (mm / in.) →



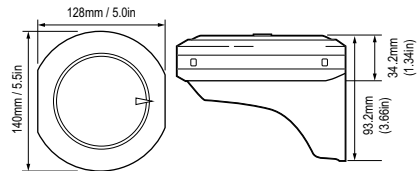
p70s / p70Rs



EV1/EV2

1. Mounting trim
2. EV-1E/V-2
3. Sealing ring
4. Mounting tray
5. Sealing ring
6. Wall mounting bracket
7. Screws for deck or bracket mounting
8. Screws for wall bracket
9. Document pack
10. 10 1m(3.3ft) SeaTalk^{ng} spur cable

← (mm / in.) →



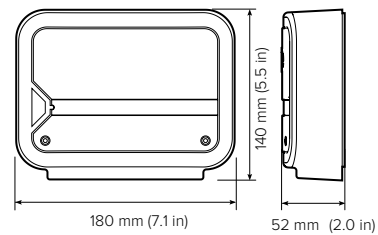
EV-1 / EV-2



ACU-100/ACU-150

1. ACU unit
2. Documentation pack
3. Screws (pan head type)
4. SeaTalk^{ng} spur to bare wires cable 1 m (3.3 ft)

← (mm / in.) →



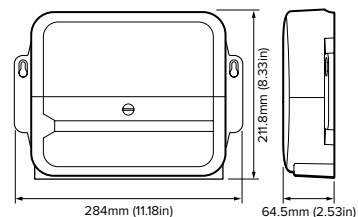
ACU-100/ACU-150



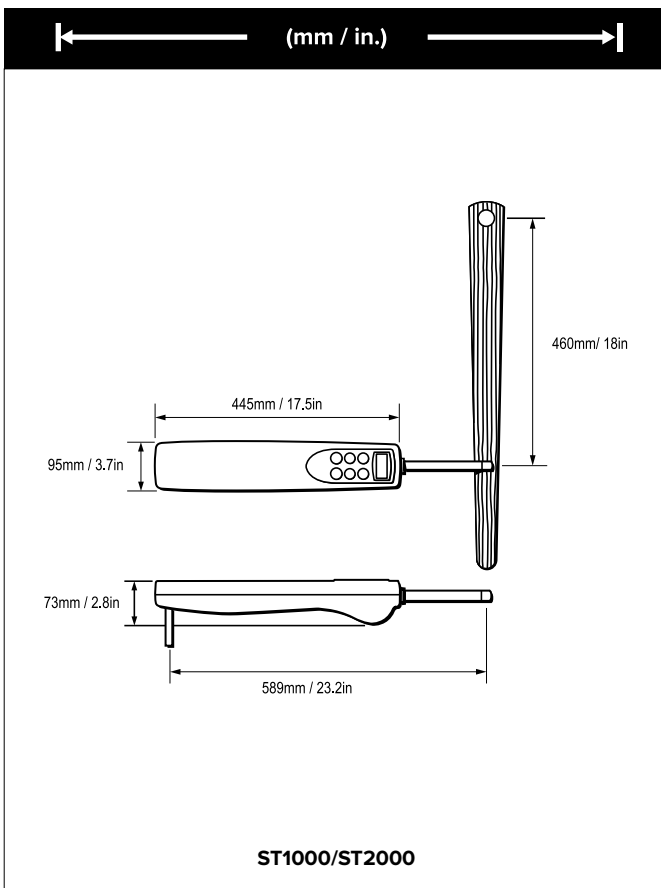
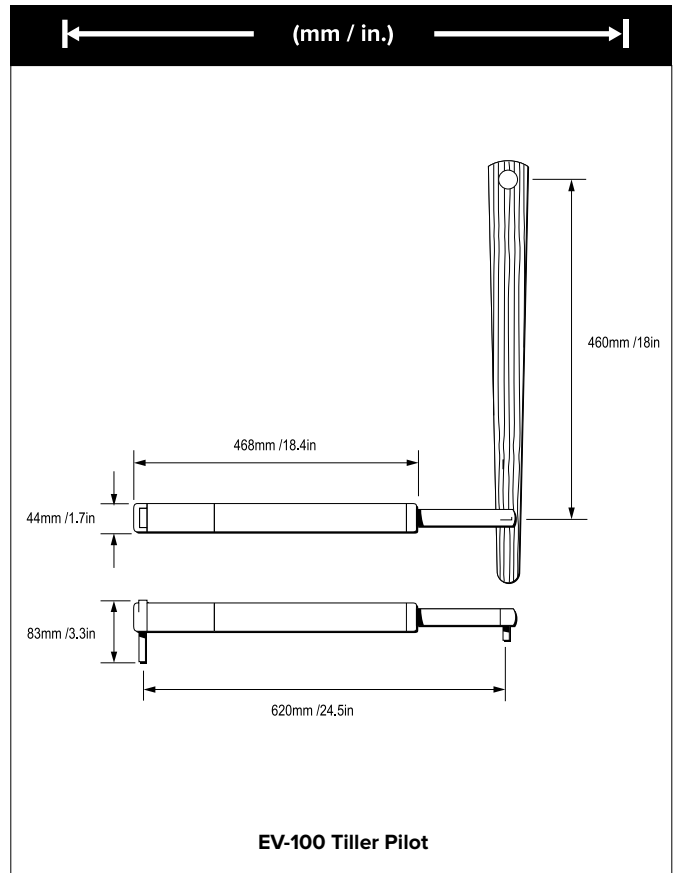
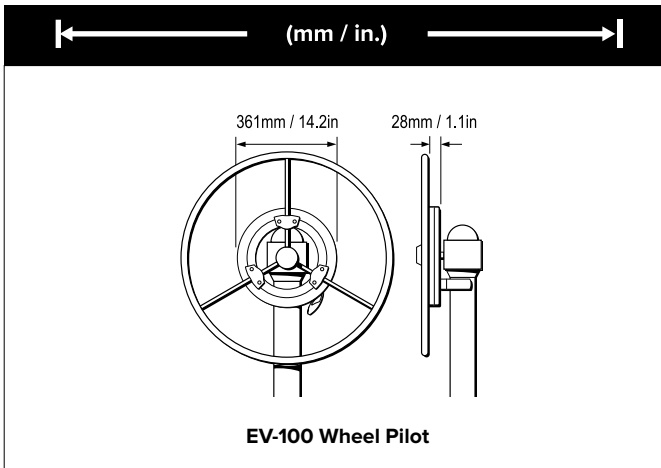
ACU-200 / 300 / 400

1. ACU unit
2. Rudder angle reference sensor / transducer. Not supplied with all system packs. Also available separately as M81105
3. Cable ties
4. Mounting screws
5. Document pack

← (mm / in.) →



ACU-200/300/400



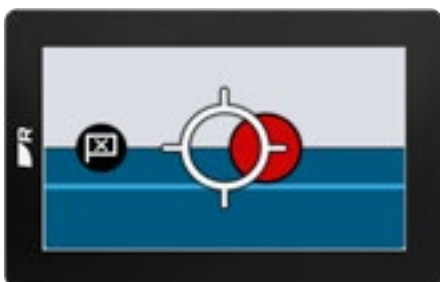
ALPHA PERFORMANCE DISPLAYS



The Alpha series are high-visibility touchscreen displays with fully customizable marine instrument data and graphic displays to help you make smarter sailing decisions. Designed for helm or mast mounting, the Alpha Series is customized and controlled via its touchscreen and controlled remotely from a networked Axiom Chartplotter.*

Alpha Key Features

- Customizable sailing, navigation and engine instrument displays.
- SailPoint™ mode provides you with a visual reference of target wind angle, so you achieve your maximum VMG upwind or downwind.
- Polarized sunglasses-friendly displays with extra wide viewing angles, viewable on the mast or remote location.
- Tested to the extreme and built with our exclusive HydroTough™ nano-coating that repels water and oils for reliable touchscreen control.
- Landscape or portrait mounting option.
- Single power and data cable* for fewer cables running through the deck and mast.
- Support for daisy-chaining up to four displays.
- Auto-dimming through an integrated ambient light sensor.
- Lockable touchscreen display with remote control from Axiom.
- Designed to network with Axiom chartplotters for all instrument data, transducer data and performance sailing calculations.



* The Alpha Performance Display requires a Axiom Chartplotter (on Lighthouse 4.5 software or later) connected on the Raynet network.
 ** Power and data cables not included and must be purchased separately to match the installation configuration.

PART NO. DESCRIPTION

Instruments

Alpha Performance Instruments

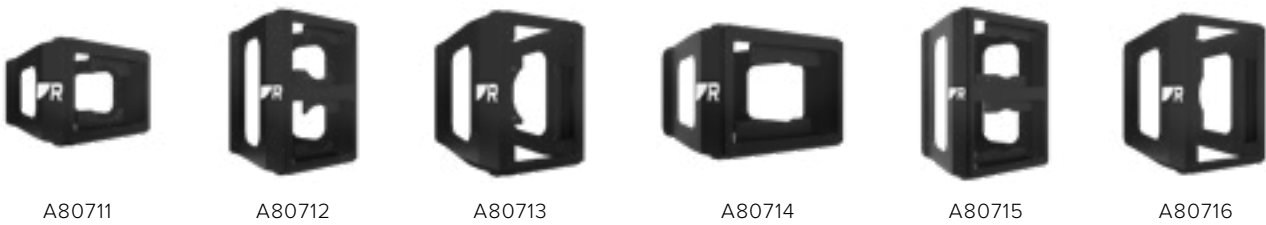
E70649	Alpha 7" Performance Instrument Display
E70650	Alpha 9" Performance Instrument Display

Alpha Performance Instruments Accessories

A80752	Power & Raynet Cable - Alpha Performance Instrument 1m
A80709	Power & Raynet Cable - Alpha Performance Instrument 3m
A80753	Power & Raynet Cable - Alpha Performance Instrument 5m
A80754	Power & Raynet Cable - Alpha Performance Instrument 10m
A80710	Daisy Chain Cable - Alpha Performance Instrument 0.3m
A80747	Daisy Chain Cable - Alpha Performance Instrument 1.0m
A80711	Alpha 7" Performance Instrument Single Mast Bracket - Landscape
A80712	Alpha 7" Performance Instrument Dual Mast Bracket - Landscape
A80713	Alpha 7" Performance Instrument Single Mast Bracket - Portrait
A80714	Alpha 9" Performance Instrument Single Mast Bracket - Landscape
A80715	Alpha 9" Performance Instrument Dual Mast Bracket - Landscape
A80716	Alpha 9" Performance Instrument Single Mast Bracket - Portrait

RSW - Smart Wind Transducers

E70670	RSW - Smart Performance Wind Transducer, Short Arm with 30m Cable
--------	---

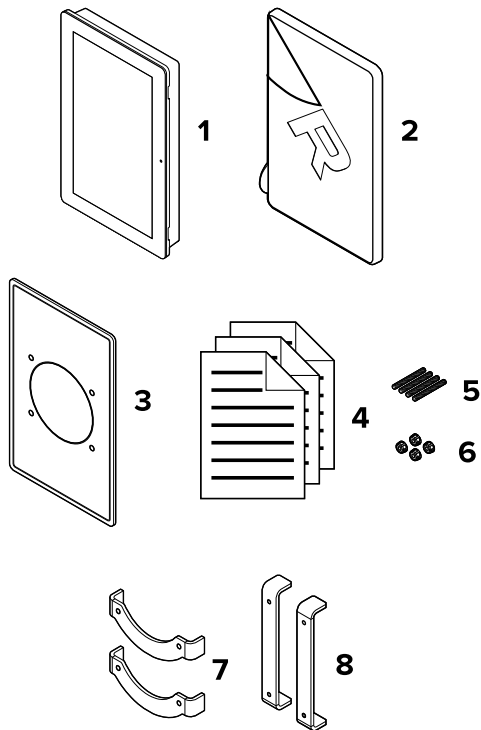


Landscape and portrait orientation mast brackets are available as accessories



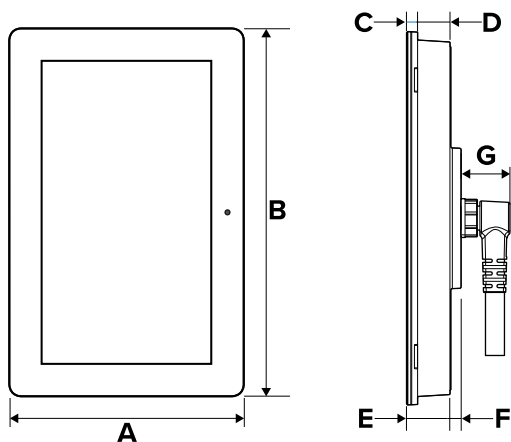


ALPHA: IN THE BOX



- 1. Alpha Series performance display.
- 2. Suncover.
- 3. Waterproof gasket.
- 4. Documentation pack.
- 5. 4x Threaded studs, M4 x 40 mm.
- 6. 4x Thumb nuts.
- 7. Supplied with Alpha 7 only
2x mounting brackets.
- 8. Supplied with Alpha 9 only
2x mounting brackets.

← (mm / in.) →



ALPHA 7	
A	118.6 mm (4.67 in)
B	188.4 mm (7.42 in)
C	7 mm (0.28 in)
D	18 mm (0.71 in)
E	25 mm (0.98 in)
F	7 mm (0.28 in)
G	30.9 mm (1.22 in)

ALPHA 9	
A	148.9 mm (5.86 in)
B	253.9 mm (9.29 in)
C	7 mm (0.28 in)
D	20.5 mm (0.81 in)
E	27 mm (1.06 in)
F	7 mm (0.28 in)
G	30.9 mm (1.22 in)

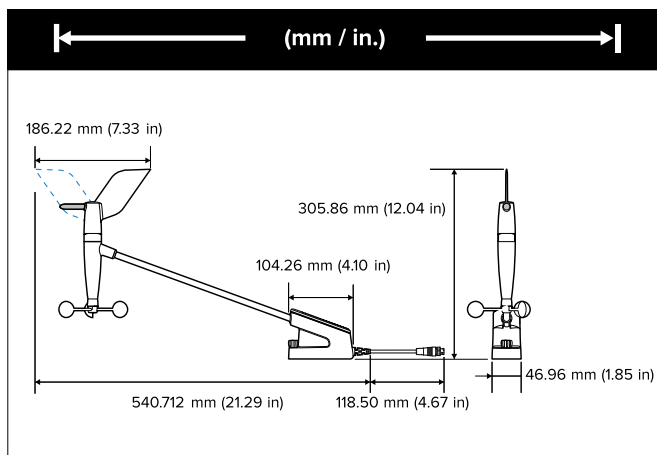
SMART WIND TRANSDUCER



The Raymarine RSW wind transducer is a professional-level wind sensor designed for leisure sailors. An all-new wind sensor design, the RSW transducer is engineered for simplicity and accuracy using an integrated 3D motion sensor and Raymarine Smart Wind™ technology to give every skipper a new level of sailing intelligence. The newly designed RSW wind sensor is a self-calibrating sensor that delivers ultra-precise wind speed and direction measurements. Sailors can take advantage of high accuracy, true wind, speed and polar calculations to make more intelligent race and performance sailing decisions when it matters most.

RSW Transducer Key Features

- Experience expert-level accuracy without complicated black box processors or cumbersome calibration tables.
- Integrated 3D motion sensor (AHRS technology) accounts for vessel pitch and roll, automatically delivering improved true wind accuracy.
- Smart Wind technology delivers superior wind measurement by compensating for mast twist and bend.
- Using the 3D motion sensor, the sensor compensates for the effects of airflow and upwash against the sails, delivering stable and trusted true wind direction.
- Rotating mast compatible without any extra sensors.
- Lightweight and durable carbon fibre arm for reliable performance



INSTRUMENTS



Raymarine instruments are world renowned for accuracy, innovative features and high-performance. From the space saving i40 series to the multifunction i70s series, there are Raymarine instruments available to fit every boater's requirements.



i40 Instrument Display

Big displays for smaller powerboats, yachts and RIBs, these compact yet powerful SeaTalk instruments offer full integration with Raymarine autopilots and navigation equipment and can be surface or trunion-mounted.

i50 Instrument Display

The i50 range consists of 3 digital displays: speed and depth displays with extra-large digits and a multi-line tridata unit. These stylish, dedicated-function instruments are the perfect solution for smaller power boats, yachts and RIBs.

i60 Instrument Display

The i60 Wind Display provides analogue and digital data and calculates apparent (relative) and true wind speed/angle.



i70s Multifunction Instrument

The new i70s Multifunction Instrument is packed full of powerful features but remains exceptionally easy to use. User-selectable data source selection allows for easy integration on multi-sensor networks.

PART NO. DESCRIPTION

Instruments

Alpha Performance Instruments

E70649 Alpha 7" Performance Instrument Display

E70650 Alpha 9" Performance Instrument Display

Alpha Performance Instruments Accessories

A80752 Power & Raynet Cable - Alpha Performance Instrument 1m

A80709 Power & Raynet Cable - Alpha Performance Instrument 3m

A80753 Power & Raynet Cable - Alpha Performance Instrument 5m

A80754 Power & Raynet Cable - Alpha Performance Instrument 10m

A80710 Daisy Chain Cable - Alpha Performance Instrument 0.3m

A80747 Daisy Chain Cable - Alpha Performance Instrument 1.0m

A80711 Alpha 7" Performance Instrument Single Mast Bracket - Landscape

A80712 Alpha 7" Performance Instrument Dual Mast Bracket - Landscape

A80713 Alpha 7" Performance Instrument Single Mast Bracket - Portrait

A80714 Alpha 9" Performance Instrument Single Mast Bracket - Landscape

A80715 Alpha 9" Performance Instrument Dual Mast Bracket - Landscape

A80716 Alpha 9" Performance Instrument Single Mast Bracket - Portrait

RSW - Smart Wind Transducers

E70670 RSW - Smart Performance Wind Transducer, Short Arm with 30m Cable

RSW - Smart Wind Transducer Spares

R70941 RSW - Wired - Transducer Only

R70944 RSW - Wired - 30M Cable

R70945 RSW - Wired - 50M Cable

R70946 RSW - Wired - Wired Gateway Only

R70948 RSW - Wired - Replacement Vane

R70949 RSW - Replacement Cups & Bearings

R70950 RSW - Mount Plate

R70953 RSW - Wired - Top Cover & Power Management PCBA

i40 Instruments

E70064 i40 Depth Display

E70066 i40 Bidata Display

Instrument Packs

E70142 i40 Depth Pack, with P7 Depth Through Hull Transducer

E70143 i40 Depth Pack, with P66 Depth Transom Mount Transducer

E70145 i40 Bidata Pack, with P371 Speed/Temp & P7 Depth Through Hull Transducers

i50, i60 & i70 Instruments

E70058 i50 Speed Display (Digital)

E70059 i50 Depth Display (Digital)

E70060 i50 Tridata Display (Digital)

E70061 i60 Wind Display (Analogue)

E70327 i70s Multifunction Color Display

PART NO.	DESCRIPTION
Instrument Packs	
T70583	i50 Speed Pack with ST900/P120 Retractable Speed/Temp Through Hull Transducers
E70148	i50 Depth Pack, with P319 Depth Through Hull Transducer
T70582	i50 Tridata Pack with ST900/P120 & P319 Speed/Temp/Depth Through Hull Transducers
E70150	i60 Wind Pack, with Short Arm Vane Transducer
T70584	i50 & i60 Wind, Speed, Depth System with Short Arm Wind Transducer, ST900/P120 & P319 Speed/Temp/Depth Through Hull Transducers
T70585	i50 & i60 Wind Pack with Short Arm Wind Transducer, ST900/P120 & P319 Speed/Temp/Depth Through Hull Transducers
T70586	i70s System - Wind, DST Twin XDCR Pack with Short Arm Wind Transducer, ST900/P120 & D800 Speed/Temp/Depth Through Hull Transducers
T70226	i70s System Pack (Color instrument & Wind, DST txducers), iTC-5, 9M backbone, power, 1 backbone & 1 inline terminator
T70216	i70s System Pack (i70s Color instrument & Wind, DST txducers, iTC-5, 3M backbone, 5 Way Connector, STng power cable & 2 backbone terminators)
ITC-5 Instrument Transducer Converter & Wireless Puck	
E70010	iTC-5 Instrument Transducer Converter
E70361	MicroTalk Wireless Performance Sailing Gateway
A80370	Pole Mount for RS150 GPS Antenna / Micro-Talk Puck
STNG Smart Transducers	
A22112	DT800 12° Through Hull Depth / Temperature Smart Transducer
A22165	DT800 0° Through Hull Depth / Temperature Smart Transducer
E70667	DST810 (Gen 2) 0° Through Hull Depth / Speed / Temperature Smart Transducer
A80373	P79S In Hull Depth Smart Transducer (NMEA 2000 DeviceNet connection)
T70278	P79S In Hull Depth Smart Transducer (NMEA 2000 with STNG adapter cable)
Accessories	
A28167	Wind Vane Service Kit
R70112	i40 Sun Cover
R70663	Black Suncover i50/i60/i70/p70/i70s/p70s (Axiom style)
A80357	Gray Suncover i50/i60/i70/p70/i70s/p70s (eS series style)
R22169	i50 / i60 / i70 / p70 Suncover (a, c, e, series style)
A80355	Black Bezel for i50/60/70/Pilots (eS series style)
R22168	Gunmetal Bezel for i50/60/70/Pilots (a, c, e series style)
A80356	Gunmetal Bezel for i50/60/70/Pilots (eS series style)
A80353	Black Bezel for i70s
A80354	Gunmetal Bezel for i70s
Depth - Transducers	
E26009	P7 D Shorty™ Low Profile Through Hull Transducer
M78713-PZ	P319 Low Profile Through Hull Plastic Depth Transducer 14m Cable
E26030	P17 Depth Through Hull Retractable Transducer
E26027-PZ	P66 Depth Transom Mount Transducer
E26001-PZ	P79 Depth In Hull Transducer - obsolete when inventory is depleted
E26019-PZ	B45 Depth Through Hull Transducer Stem - includes Fairing Block
M78717	B17 D Through Hull Retractable Transducer
Depth/Speed/Temperature – Transducers	
A22154	DST800 Analog out 200kHz
E26028-PZ	i40/50 P66 Depth, Speed, Temperature Transom Mount Transducer
A26043	B744V Bronze Depth, Speed, Temperature Through Hull Transducer (No fairing block)
A26044	B744VL Long Stem Bronze Depth, Speed, Temperature Through Hull Transducer (No fairing block)

PART NO. **DESCRIPTION**

Speed/Temperature – Transducers

E26005	ST69 Speed/Temperature Transom Mount Transducer
E26008	P371 Speed/Temperature Shorty™ Through Hull Transducer
E70673	ST900/P120 Speed/Temperature Low Profile Retractable Through Hull Analog Transducer, 13.7M cable
E70674	ST900/P120 Speed/Temperature Low Profile Retractable Through Hull Analog Transducer, 20M cable
E70686	ST900/B120 Speed/Temperature Low Profile Retractable Through Hull Analog Transducer, 13.7M cable
R70961	ST900 Paddle Wheel Kit

Wind – Transducers

Z195	RotaVecta Transducer supplied with 20m (65') Cable
E22078	Short Arm Vane Transducer supplied with 30m (97.5') Cable
E22079	Long Arm Vane Transducer supplied with 50m (162.5') Cable
A28162	30m Mast Cable & Connector
A28163	50m Mast Cable & Connector
R28170	Short Arm Wind Vane Transducer
R28171	Long Arm Wind Vane Transducer

Wind/Air Temperature/Barometer - Transducer

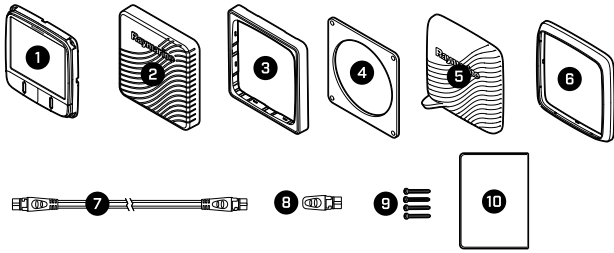
A80755	Airmar 200WX Weather Station (6m w DeviceNet)
--------	---

Rudder Reference - Transducers

M81105	Rudder Angle Transducer
--------	-------------------------



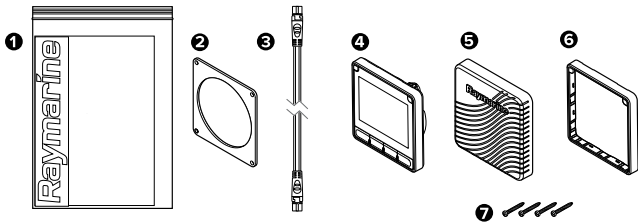
i50 / i60 : IN THE BOX



1. i50 / i60 Instrument display
2. Suncover (to match i70s, p70s, p70Rs, eS Series)
3. Front bezel (to match i70s, p70s, p70Rs, eS Series)
4. Gasket
5. Suncover (to match a, c, e Series)
6. Front bezel (to match a, c, e Series)
7. 400 mm (15.7 in) SeaTalkng® spur cable
8. Termination
9. Screws
10. Documentation



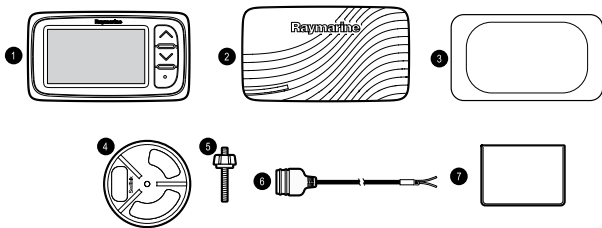
i70s : IN THE BOX



1. Documentation
2. Panel Seal Gasket
3. 400mm (15.7in) SeaTalkng® spurcable (A06038)
4. i70s Instrument Display (supplied with keymat and black bezel (A80353) fitted)
5. Suncover (A80357)
6. Spare gunmetal bezel (A80354)
7. Mounting screws x4

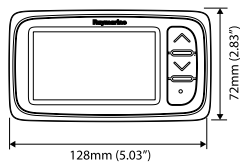


i40 : IN THE BOX

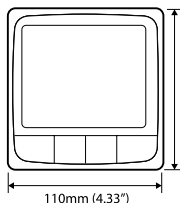


1. i40 Instrument
2. i40 Sun cover
3. Mounting gasket
4. Clamping bracket
5. Fixing stud and thumb nut
6. SeaTalk power cable 1m (3ft)
7. Document pack

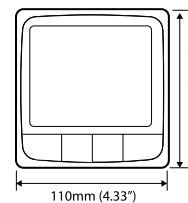
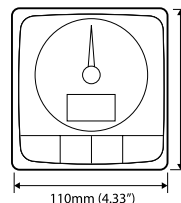
← (mm / in.) →



i40



i50 / i60



i70s

WIRELESS INSTRUMENTS



You need instant access to accurate data and displays that are absolutely reliable. Raymarine Wireless instruments display all the data you'll need and there are no wires running through your hull or down your mast.



Micro-Talk Gateway

The Micro-Talk Wireless Performance Sailing Gateway allows you the flexibility to mix-and-match any combination of wired or wireless Raymarine instruments, transducers, multifunction displays and autopilots. Whether you are building a new system from scratch, or expanding an existing system, the Micro-Talk Gateway enables performance-minded sailors to take advantage of the enhanced accuracy and installation convenience offered by Raymarine's wireless, solar-powered wind transmitter options.

Wireless for Cruising

Raymarine's wireless instrument systems offer instant access to accurate depth, wind, speed and GPS data. The displays are simple to install, solar powered and use Micronet wireless networking to communicate. Micronet MN100 series instruments include single line, dual-line and analogue wind display options. A wide selection of optional transducers, sensors and accessories are available to customize your system.

Wireless For Racing

Raymarine wireless instruments deliver a tactical advantage to the club racer or ocean navigator alike. In addition to navigation data, Raymarine wireless racing systems deliver polar data, true wind speed and angle, VMG, compass heading and more. Small screen, large screen and hand-held options ensure you have the data you need, where you want to see it.

Race Compass

Raymarine's Micro Compass and Racemaster compass systems give you the winning advantage with accurate, reliable readouts. The self-contained Micro Compass' tactical scale give you clear stable figures for port and starboard tacks. Racemaster is a two-tier display that displays heading, wind shift indicator, line bias and race timer. Both compasses are 100% solar powered, install in seconds, and can be easily removed for storage.

PART NO. **DESCRIPTION**

Wireless Instruments

Microtalk Wireless Performance Sailing Gateway Bundle Packs

T70346	i60, Wireless Wind and backbone kit (E70361, T120, T113, E70061, A06049, A06046, A06064, A06031, A06028)
T70345	Wireless Wind Kit for STNG (E70361, T120 & T113)
T70351	Wireless Wind Kit including Heading Sensor for STNG (E70361, T120, E70096, T113, A06049, A06036, A06064, A06031, A06028)
T70347	i70s, Wireless Wind, DST810 and Backbone kit (E70361, T120, E70617, T113, E70327, A06049, A06036, A06064, A06031, A06028)
T70348	i70s, Wireless Wind, DST810, heading sensor and backbone kit (E70361, T120, E70096, E70617, T113, E70327, A06049, A06036, A06064, A06031, A06028)
T70349	i70s, Wireless Vertical Wind, DST810, heading sensor and backbone kit (E70361, T222, E70096, E70617, T113, E70327, A06049, A06036, A06064, A06031, A06028)

Micronet Wireless Displays

T110-916	Wireless Multi Digital Display
T111-916	Wireless Multi Dual Digital Display
T112-916	Wireless Multi Analogue Display
T113-916	Wireless Multi Remote Display

Micronet Wireless Cruising Systems

T100-916	Wireless Speed & Depth System
T101-916	Wireless Multi Wind System
T103-916	Wireless Speed & Depth System with Triducer
T108-916	Wireless Wind, Speed & Depth System with Triducer
T104-916	Wireless Wind, Speed, Depth & NMEA System

Micro Compass Spares And Accessories

T061	Micro Compass System - Includes Micro Compass and Strap Bracket
T060	Micro Compass
T004	Deck Bracket
T005	Strap Bracket
T006	Long Slug Bracket
T008	Cat Pole Bracket

Micronet Wireless Racing Products

T070-916	Micronet Race Master
T075-916	Micronet Race Master System, Triducer and Solar Panel
T210	Wireless Multi Maxi display
T215	Wireless Multi Dual Maxi Display
T222	Wireless Vertical Wind Transmitter
T221	Mast Rotation Transmitter

PART NO.	DESCRIPTION
Micronet Components Spares And Accessories	
E70361	Micronet to SeataalkNG Gateway (Wireless Wind)
T137	Slug Mast Bracket 1 up (Digital, Dual, Analogue Range)
T231	Mast Bracket 1 up (for Maxi, Dual Maxi or Race Master)
T232	Mast Bracket Maxi 2 up (for Maxi, Dual Maxi or Race Master)
T234	Mast Bracket Maxi 3 up (for Maxi, Dual Maxi or Race Master)
T909	Compass Transducer
T120	Wind Transmitter
T121	Hull Transmitter
T122	Wireless Interface
T138	External Solar Panel (9V) - 108mm x 108mm
T910	Triducer (Speed, Depth and Temperature in One, Retractable - 50m range)
E70687	ST950/P17 Speed/Temperature Long-Body Low Profile Retractable Through Hull Analog Transducer, 6M cable
T912	Depth Transducer (Depth, Retractable - 80m Range)
T914	Active Depth Temp Transducer
T942	Bronze Fitting for Long Body Transducer
T943	Flush Fitting for Long Body Transducer
T050	Large Deck Bracket
T905	Depth transducer (50mm through/in hull)
R70972	ST950 Paddle Wheel Kit
TA106	Instrument Cover for Digital, Dual Digital or Analogue Displays

VIDEO CAMERAS



The CAM300 mini day/night IP camera is a wide field-of-view visible camera designed for Raymarine Axiom chartplotters. Equipped with an HD video sensor, the CAM300 transforms Axiom into a powerful onboard video observation system. Use the CAM300 to monitor blind spots, check in on the crew, or watch and record all fishing action from the helm. Combine the CAM300 with the Raymarine AR200 sensor and make smarter navigation decisions using ClearCruise augmented reality to overlay AIS targets, waypoints and chart objects on the Axiom video display.

Camera Features

- View up to 4 CAM300 video streams simultaneously on a single Axiom display
- 3MP CMOS sensor delivers up to 1080p resolution
- Built-in infrared emitters for excellent near-field low light visibility up to 33 ft (10 meters)
- Image flip and invert functions for ball-up/ball-down installation and reverse video
- ONVIF Profile S compatible for compatibility with security system applications
- Easy to install with either direct 12-volt connection or single cable Power over Ethernet (POE)
- Rugged IP66 enclosure for below and above deck marine installations

PART NO. **DESCRIPTION**

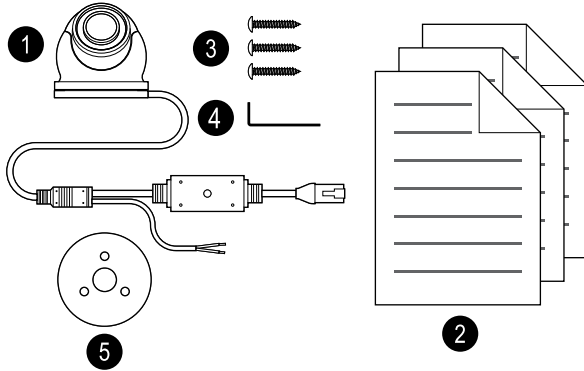
Day & Night Video Cameras

Day And Night IP Video Camera

E70346	CAM210 Bullet CCTV Day and Night Video Camera (IP Connected)
E70660	CAM300 Eyeball CCTV Day and Night Video Camera (IP Connected)
4115028	Connector, RF45 Waterproof Enclosure
A62360	RayNet (F) to RJ45 (M) cable - 1m
A80151	RayNet (F) to RJ45 (M) cable - 3m
A80159	RayNet (F) to RJ45 (M) cable - 10m
A80811	PoE Injector 12-24V DC 5Gb

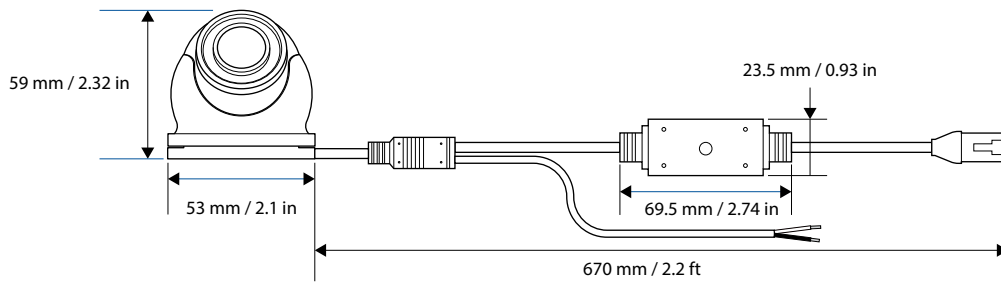


CAM300: IN THE BOX



1. CAM300 camera
2. Documentation
3. Mounting screws x3
4. Hex wrench (Allen key)
5. Waterproof gasket

← (mm / in.) →



CLEARCRUISE AR



ClearCruise™ AR is bringing enhanced on-water perception to Raymarine's family of Axiom® multifunction displays. With ClearCruise AR, Raymarine Axiom users can make smarter decisions with navigation objects overlaid directly on Axiom's high-definition video display.



Make Smarter Decisions

See critical navigation objects overlaid on HD video. Surrounding AIS-equipped vessel traffic and charted navigation aids are clearly identified with rich graphics on a live, dynamic video image.



Recognize and Respond to Nearby Marine Traffic

Color-coded labels provide instant identification, status and risk-assessment Live AIS Targets. ClearCruise AR provides positive identification of AIS equipped vessels on the horizon.



Understand Complex Navigational Situations

Major chart objects are identified for instant, heads-up recognition. ClearCruise AR technology shows you visually where your saved waypoints and marks are located.



See Waypoints in the Real World

Visualize nearby marks and waypoints for easy navigation. ClearCruise AR technology makes it easy to pick out the buoys marking the edges of the safe channel on a hazy day.

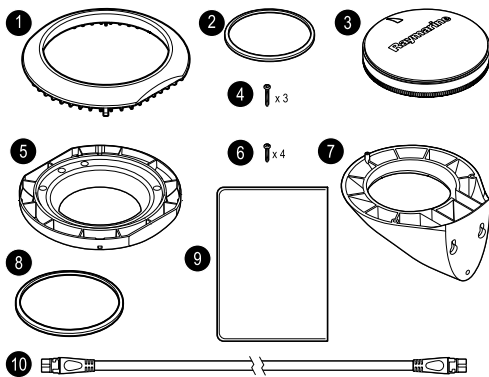
PART NO. DESCRIPTION

Augmented Reality

T70452	CAM210 Augmented Reality Pack (Consisting of: CAM210, AR200, RayNet to RJ45 Cable, Backbone Cable & STNG T-Piece Connector)
T70581	CAM300 Augmented Reality Pack (Consisting of: CAM300, AR200, RayNet to RJ45 Cable, Backbone Cable & STNG T-Piece connector)
E70537	AR200 IP Camera Stabilization Module for Augmented Reality

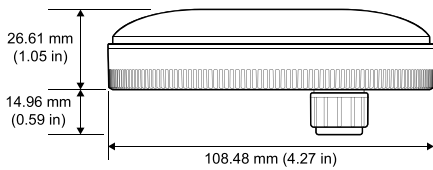


AR200 : IN THE BOX

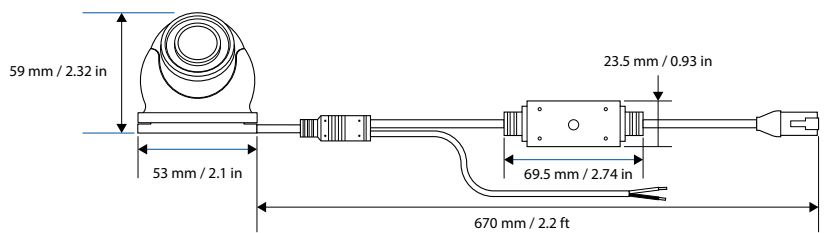


1. Mounting trim (Top)
2. Small sealing ring
3. AR200
4. 3 x large bulkhead bracket fixings (Pan head pozi DIN7981 ST 3.9x22 C Z A4 Stainless steel)
5. Mounting tray (Bottom)
6. 4 x small surface mount fixings (Pan head pozi DIN7981-ST 2.9x13 C Z A4 Stainless steel)
7. Bulkhead (Wall) bracket
8. Large sealing ring
9. Documentation
10. 6 m (19.69 ft) SeaTalkng® (White) cable

← (mm / in.) →



AR200



CAM300

AIS



AIS (Automatic Identification System) systems enable the wireless exchange of navigation status between vessels and shore-side traffic monitoring centers. Commercial ships, ocean-going vessels and recreational boats equipped with AIS transceivers broadcast AIS messages that include the vessel's name, course, speed and current navigation status.



AIS700 AIS Transceiver

The AIS700 is a Class B Transceiver featuring the latest SO-TDMA Technology. Complete with an internal antenna splitter that allows the AIS to share the antenna with the VHF.



AIS4000 AIS Transceiver

The AIS4000 boasts a high-definition color display for quick access to integrated charts, alarms and tracking. Additional support for wired and wireless networking with shipboard systems make AIS4000 a premier SOLAS and Inland Waterway-certified Class A transceiver.

PART NO. DESCRIPTION

Automatic Identification System - AIS

Automatic Identification System - AIS

E70476 AIS700 Class B Transceiver with Antenna Splitter

Automatic Identification Systems - AIS Class A

E70601 AIS4000 Class A Transponder Bundle

Accessories

R70690 AIS 700/650 Power & Data cable 2m

A80586 AIS4000/AIS5000 Mounting Bracket

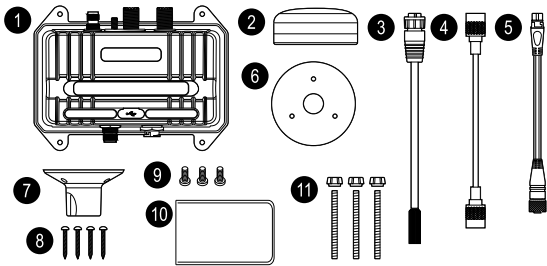
A80587 AID4000/AIS5000 Power Cable

PART NO. DESCRIPTION

A80589	GPS & Glonass Antenna (Axiom Pro, Axiom XL & AIS4000/5000)
A80590	AIS4000/AIS5000 VHF Antenna (and fixings)
A80593	AIS4000/AIS5000 Interface Cable (2 off)
A80597	VHF Connector (PL-259 - Male)
A80598	VHF Connector (PL-259 - Female)
A80599	GPS Connector (TNC - Male)
A80600	GPS Connector (TNC - Female)
A06045	DeviceNet (Female) to STNG Spur (Female) Adaptor Cable, 400mm



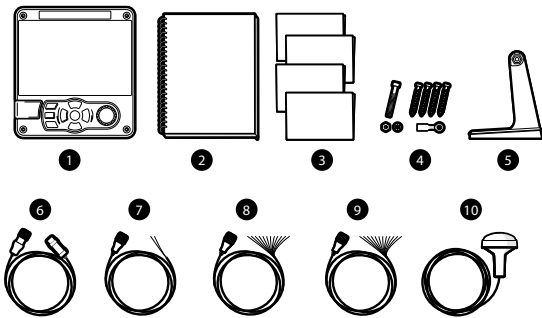
AIS700: IN THE BOX



1. Transceiver
2. GNSS Antenna with Cable 2m
3. Power / Data Cable
4. VHF Radio Cable 1m
5. DeviceNet to SeaTalk® adaptor cable
6. GNSS Antenna Gasket
7. GNSS Antenna Pole Mount
8. AIS Unit Fixings
9. Screws
10. Documentation
11. Fixings for optional surface mounting GNSS antenna

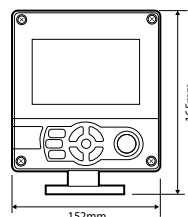
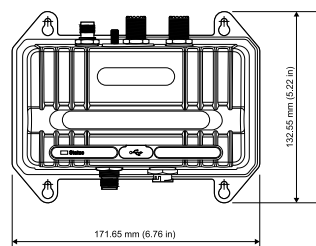


AIS4000: IN THE BOX



1. AIS transceiver
2. Product Manual
3. Documentation Pack
4. Fixings
5. Mounting Bracket
6. STng to DeviceNet cable
7. Power cable
8. 14 way data cable
9. 18 way data cable
10. GNSS Antenna Cable Assy

← (mm / in.) →



VHF COMMUNICATIONS



From compact VHF Radios to the ultimate all-in-one communications solution – we have a VHF Radio for every boater! You'll always be heard loud and clear with a VHF Radio from Raymarine. Whether it's our new compact Ray53, full-sized Ray63, or multifunction Ray73, you can depend on your Raymarine VHF Radio for years of trouble-free communication at sea.



RAY53

Raymarine's Ray53 radio is small in size but big on features and performance. Ray53 is a full-function VHF marine radio with Class D Digital Selective Calling (DSC) and a built-in GPS receiver.



RAY63

The Ray63 offers reliable VHF performance, multi-station control and intercom capability using optional RayMic wireless and wired controllers. The Ray63 has a built-in GPS receiver and features Class D Digital Selective Calling (DSC).



RAY73

The Ray73 has all of the features, performance and remote options as the full-sized Ray63 plus an integrated AIS receiver. NMEA0183 and NMEA2000 ports allow the Ray73 to network with chartplotters for AIS and DSC functions.

RAY90

Raymarine's fixed mount Ray90 modular VHF radio bring multi-station communications to a whole new level of power, performance and flexibility. The Ray90 is a black-box design with a transceiver that hides out of sight under your helm, in a locker, or just about anywhere.

RAY91

In addition to being a full featured VHF radio system, the Ray91 also has a built-in Automatic Identification System (AIS) receiver. Ray91 can receive the navigation and safety broadcasts from nearby AIS-equipped vessels and share them with your compatible MFD, chartplotter, radar and instruments.



PART NO. **DESCRIPTION**

VHF Radios

VHF Radios

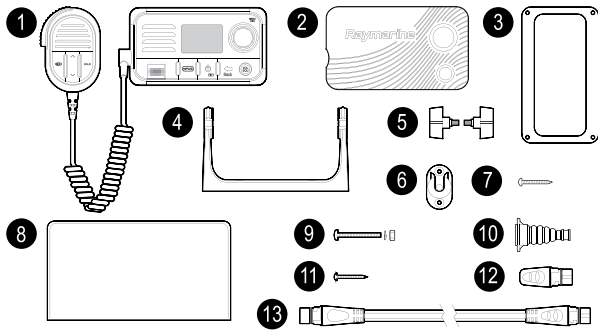
E70524	Ray53 VHF Radio
E70516	Ray63 VHF Radio
E70517	Ray73 VHF Radio with GPS, AIS Receiver and Loudhailer Output
E70492	Ray90 VHF Black Box (Includes Wired Handset, Passive Speaker and Cable)
E70493	Ray 91 VHF Black Box with AIS Rx (Includes Wired Handset, Passive Speaker and Cable)
T70424	Ray90 VHF and AIS700 Bundle

VHF Radios Spares and Accessories

T70469	Ray63/73 Wireless 1st Station including Wireless Handset, Wireless Hub, Active Speaker & Adaptor Cable
T70433	Ray 90/91 Wireless First Station Kit (Includes: Passive Speaker, Wireless Handset and Wireless Hub)
T70434	Ray 90/91 Wireless Second Station Kit (Includes: Active Speaker and Wireless Handset)
T70432	Ray 90 Wired Second Station Kit (Includes: Passive Speaker, Raymic Wired Handset and Raymic Ext. Cable, 10M)
A80540	Ray 90/91 Wireless Hub
A80541	Ray 90/91 Wireless Hub Aerial Extension
A80542	Ray 90/91 Passive Active Speaker
A80543	Ray 90/91 Active Speaker
A80544	Ray 90/91 Wireless Handset
A80289	Ray 60/63/70/73/90/91 Wired Handset (without cable)
A80291	Ray 60/63/70/73/90/91 Handset 5m Extension Cable
A80292	Ray 60/63/70/73/90/91 Handset 10m Extension Cable
A80290	Ray 60/63/70/73/90/91 Handset 15m Extension Cable
A80296	Fistmic Adaptor Cable (12 pin to 10 pin) 400mm
A80297	Handset Adaptor cable (12 pin to 12 pin) with passive speaker output (400mm)
R70484	Ray 60/63/70/73/90/91 VHF Handset Hanger
R70739	Wireless Handset Adapter Cable for Ray63/Ray73
R70435	Bezel Kit (Combined kit for Ray 60/63/70/73 plus 4 corners for Ray 50)
R70492	Ray 60/63/70/73 Handset Holster
R70616	Ray 90/91 Wireless Handset Only
R70617	Ray 90/91 Holster/Charger Only
R70619	Ray 90/91 Passive/Active Speaker Bezel
M95435	Newmar Waterproof Hailing Horn



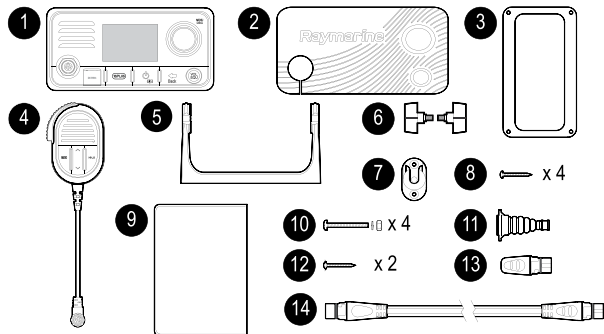
RAY53: IN THE BOX



1. VHF Radio
2. Sun cover
3. Panel mount gasket
4. Mounting bracket (Trunnion)
5. Mounting bracket knobs
6. Fistmic hook plate
7. 4 x M4x25 screws (For Bracket (Trunnion) mounting)
8. Documentation
9. 4 x M4 nuts, spring washers and M4x25 machine screws (For Panel mounting)
10. Protective antenna boot
11. 2 x M4x12 screws (For Fistmic hook plate mounting).
12. SeaTalk® blanking plug
13. SeaTalk® 400 mm (15.7 in.) spur cable



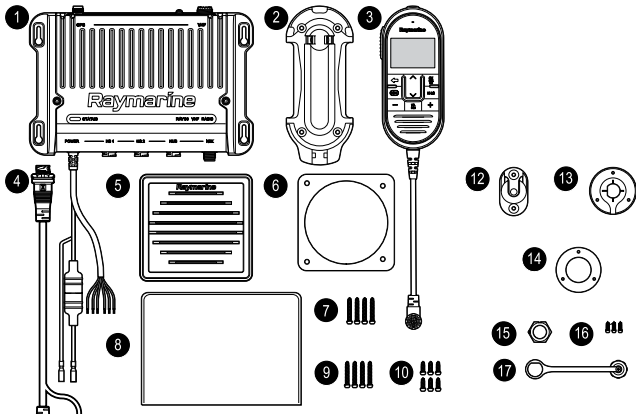
RAY63/73: IN THE BOX



1. VHF Radio
2. Sun cover
3. Panel mount gasket
4. Fistmic
5. Mounting bracket (Trunnion)
6. Mounting bracket knobs
7. Fistmic hook plate
8. 4 x M4x25 screws (For Bracket (Trunnion) mounting)
9. Documentation
10. 4 x M4 nuts, spring washers and M4x25 machine screws (For Panel mounting)
11. Protective antenna boot
12. 2 x M4x12 screws (For Fistmic hook plate mounting)
13. SeaTalk® blanking plug
14. SeaTalk® 400 mm (15.7 in.) spur cable

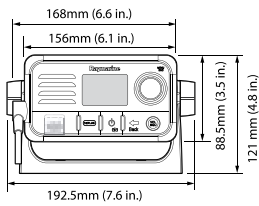


RAY90: IN THE BOX

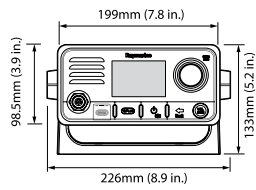


1. Ray90 / Ray91 VHF DSC Radio base station (including fitted power and data cable)
2. Wired handset holster
3. Wired handset
4. Wired handset adaptor cable with RCA Audio 400 mm (1.3 ft)
5. Passive speaker and bezel
6. Passive speaker mounting gasket
7. 4x M4x25 screws (For wired speaker mounting)
8. Documentation
9. 4x M4x25 screws (For base station mounting)
10. 6x M4x12 screws (For Handset holster and hook plate mounting)
11. DeviceNet to SeaTalkng® 1 m (3.28 ft) adaptor cable
12. Handset hook plate
13. Through panel cable mounting plate
14. Through panel cable mounting plate gasket
15. Through panel cable mounting nut
16. Through panel cable mounting plate screws x3
17. Through panel cable mounting dust cap

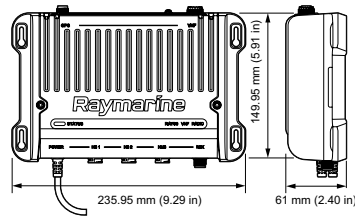
← (mm / in.) →



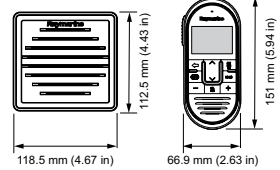
RAY53



RAY63/73



RAY90/91



NEUBOAT DOCK



NeuBoat Dock is the latest 360-degree surround view docking camera system for Axiom. Designed specifically to enhance your time on the water, ensuring you navigate and dock your boat free from unnecessary worries. NeuBoat Dock utilizes the latest cutting-edge autonomous technology, empowering you to dock your boat with absolute confidence.

Docking a boat can be stressful. Blind spots, wind and currents are all conspiring against you. The Raymarine and Avikus Neuboat system makes docking effortless. Neuboat Dock delivers a 360-degree view around your vessel, eliminating blind spots so you can maneuver in tight areas and approach the dock stress-free.



360 Degrees of Awareness

A 6-camera system provides a 360-degree birds-eye view around the vessel.



Dock With Confidence

On-screen distance guides provide visual cues and help you dock in tight spaces.



Multiple Views

Enjoy a 360-degree view or view each camera independently with pre-set docking modes.



Six Surround View Monitor Cameras

Installed at the bow, bow-port, bow-starboard, port, starboard and stern on your vessel, these cameras provides a 360° birds-eye surround view of your vessel’s immediate surroundings. Six cameras provide coverage for vessels up to 100 ft (30 metres).

Avikus Camera Conversion Unit

Installed below deck, this unit receives data from the 6 Surround-View Monitor cameras and then transmits the processed data to the connected Object Recognition Unit. For vessels over 50 feet (15 metres), an additional Camera Conversion Unit and network cabling may be required.

Object Recognition Unit

Installed below deck, the Avikus Object Recognition receives data from the Camera Conversion Unit and then interprets the visual information from all connected cameras into a synchronized view.

Axiom Display

At the helm, an Axiom chartplotter display provides simple touchscreen access to the Neubot Dock user interface and 360-degree camera view.

Simplified Installation for Boat Builders

Designed for new boat construction, Avikus Neubot Dock from Raymarine offers simplified configuration and commissioning. Calibration can be performed on land or in the water. No cumbersome calibration mats or posts used in other systems are required. Calibration does not require Raymarine personnel to be on-site at the boat factory. NeuBoat Dock can be calibrated remotely with a simple Axiom internet connection via Wi-Fi or a YachtSense Link router.

- For vessels in 50’ (15 metres) range
- Includes six surround view monitor cameras
- Includes Avikus camera conversion kit
- Compatible with Raymarine Axiom chartplotters (sold separately)

PART NO. DESCRIPTION

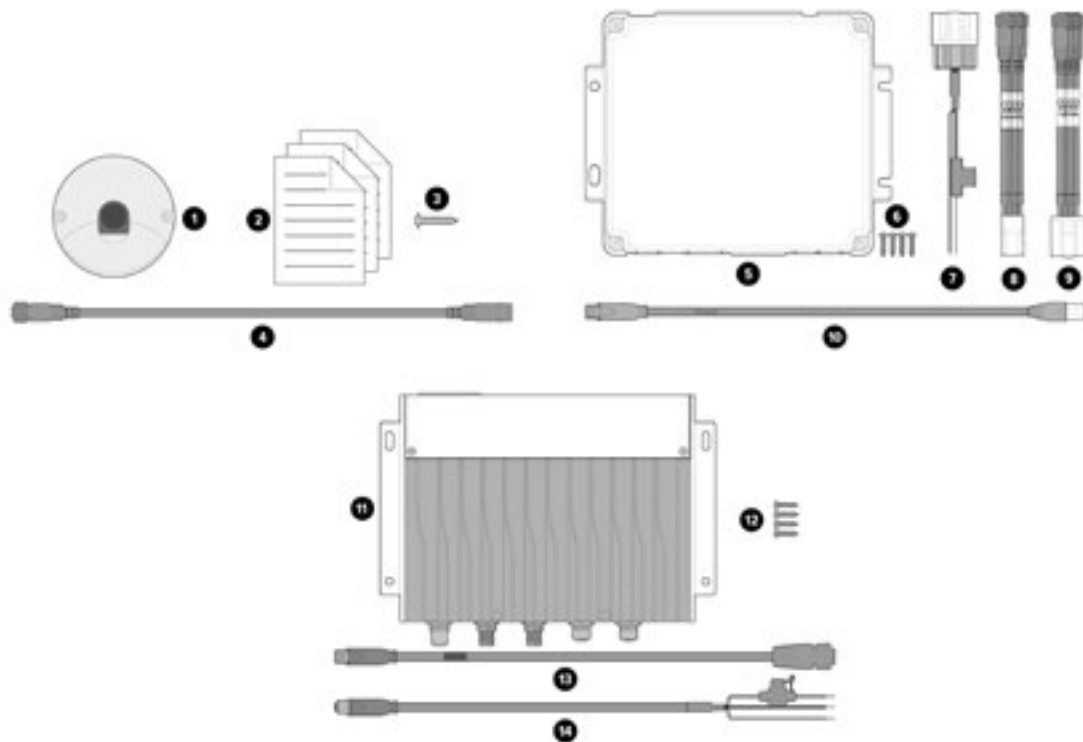
NeuBoat Dock

NeuBoat Dock Technology

E70699 NeuBoat Dock Basic System

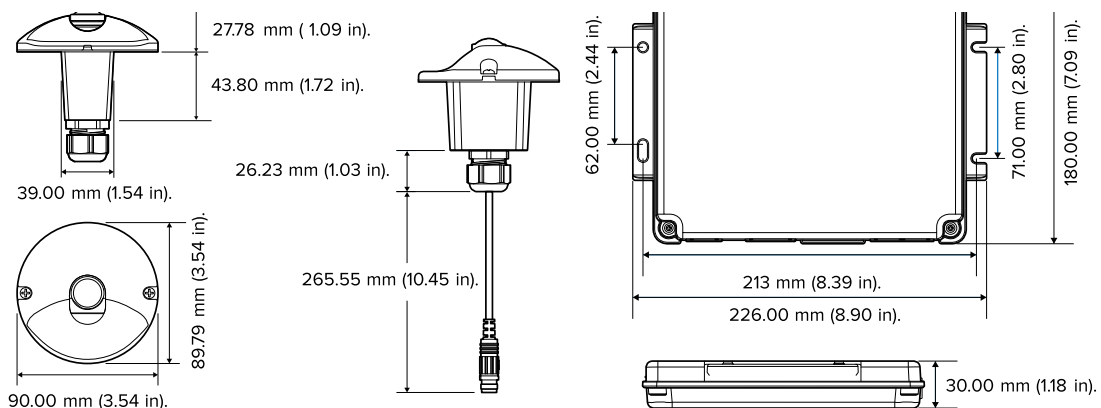


NEUBOAT DOCK: IN THE BOX



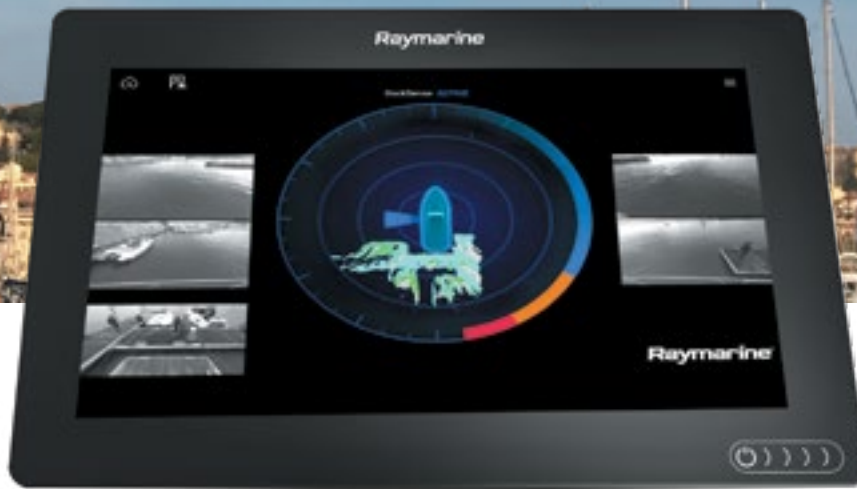
- | | |
|--|--|
| <ul style="list-style-type: none"> 1. (6x) Surround View Monitor camera. 2. (1x) Documentation pack (includes placement position file) 3. (24x) Fixing screws 4. (6x) SVM camera to CCU cable, 15 m (49.21 ft) 5. (1x) Camera Conversion Unit 6. (4x) Fixing screws 7. (1x) CCU power cable, 1 m (3.3 ft) | <ul style="list-style-type: none"> 8. (1x) CCU camera input cable 1, 200 mm (7.87 in) 9. (1x) CCU camera input cable 2, 200 mm (7.87 in) 10. (1x) CCU to ORU cable, 15 m (49.21 ft) 11. (1x) Object Recognition Unit 12. (4x) Fixing screws 13. (1x) ORU to RayNet cable, 25 m (82.02 ft) 14. (1x) ORU power cable, 2 m (6.56 ft) |
|--|--|

← (mm / in.) →



DOCKSENSE

ASSISTED DOCKING TECHNOLOGY



DockSense™ is available as part of DockSense Control and DockSense Alert systems. DockSense Alert provides enhanced situational awareness to captains. DockSense Control builds on this with a vessels engine and control systems as detailed below. YachtSense systems are available through boat builders and technical dealers only.



The Docking Challenge

Docking a boat can be a stressful experience, even for the most experienced captains. Often wind and tides make the task more difficult, and docking mishaps can become expensive repairs. The Raymarine DockSense Control system is designed to augment a captain's boat handling skills using the system's Virtual Bumper™ zone technology around the vessel. Should an object like a piling or another vessel encounter the Virtual Bumper, DockSense Control automatically introduces corrective steering and throttle commands to avoid the object and assist the captain in guiding the vessel to the dock.

The Future of Boat Handling

DockSense Control uses global positioning system (GPS) and attitude heading reference system (AHRS) position sensing technology to compensate for the effects of wind and currents, ensuring the vessel enters the dock without drama or costly collisions. The Raymarine DockSense Control systems include multiple FLIR machine vision cameras, a central processing module and the DockSense Control App running on Raymarine's Axiom navigation display. The system integrates with modern joystick propulsion systems, providing assisted steering and throttle commands to help captains make a smooth arrival.

DockSense™ Alert

DockSense Alert is the next generation of Raymarine's intelligent docking technology designed to enhance a captain's awareness of immediate surroundings while manoeuvring the vessel in close quarters. Using advanced stereo vision camera technology, DockSense Alert detects objects above the water line and creates an intuitive map of potential hazards around the boat. Live video feeds enhance the captain's view while audible and visible alerts inform the captain when an object is close to the vessel.



Dock with Confidence

DockSense Alert gives captains the confidence to dock in challenging conditions at any dock, in any location. Unlike other docking assistants, DockSense Alert does not require any complex external dockside beacons or sensors. Raymarine's DockSense Alert is entirely self-contained and integrated with the vessel's navigation system and ready to use in every docking location.

At the helm, Axiom's DockSense Alert app provides an informative map showing distance to objects around the boat. Live camera feeds provide added confidence by eliminating blind spots and allowing the captain to see what is happening in real time. DockSense Alert also offers helpful notifications tuned to the captain's preferred proximity alert distance.

DockSense Alert Vessel Integration

DockSense Alert systems are designed for professional engineer installation, and each system integrates with Raymarine Axiom multifunction navigation displays. In addition to advanced 3D stereo vision cameras, DockSense Alert systems require precision heading and motion-sensing technology in the form of the AR250 and AR270 DockSense heading sensors. The two sensors combine to create a highly accurate GPS compass system, unaffected by magnetic interference. When outfitting a vessel, Raymarine DockSense experts will partner with your engineering team to design a DockSense Alert system that provides maximum coverage and confidence for you.



PART NO. **DESCRIPTION**

DockSense

DockSense Alert - available through boat builders and specialist technical dealers only

T70486	DockSense Alert 1 Camera System
T70487	DockSense Alert 3 Camera System
T70488	DockSense Alert 5 Camera System

DockSense Control - available through boat builders and specialist technical dealers only

T70489	DockSense Control 3 Camera System
T70490	DockSense Control 5 Camera System

DockSense Components

E70602	DockSense Stereo Camera
E70615	AR250 DockSense Stabilization Sensor
E70616	DockSense Alert Processor Unit
E70641	AR270 DockSense Stabilization Sensor
A80660	Camera Mounting Bracket

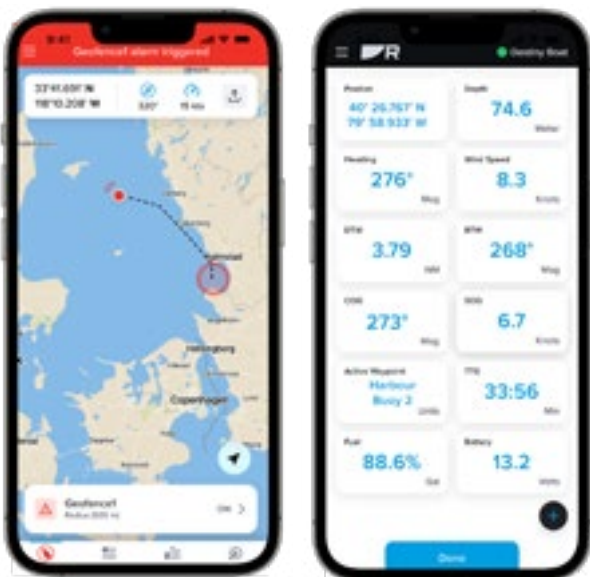
YACHTSENSE ECOSYSTEM



The YachtSense Ecosystem enables complete onboard and offboard integration with all devices connected to the boats network.

An installed system assures captains and boat owners of the readiness of their vessel prior to, during and after their voyage. They are always connected to the boat.

Voyage preparations can begin before leaving home, and while onboard, guests and crew can be connected to the boat.



Level 1: Mobile Command

Raymarine APP

The Raymarine® App can operate independently of YachtSense Link and YachtSense. The app connects directly to Axiom® displays via Wi-Fi.

- Stream and control Axiom multifunction displays from anywhere onboard
- Back up waypoints, tracks and screenshots on your mobile device

Raymarine App with YachtSense Link

- Remotely access and control YachtSense connected devices
- Monitor your boat remotely with GeoFence and YachtSense Link
- View real-time instrument and navigation data





DAME
CATEGORY WINNER
2022

Level 2: Offboat Connectivity

YachtSense Link

YachtSense Link is a multi-purpose marine mobile router equipped with Raynet Ethernet ports, mobile broadband connectivity and onboard Wi-Fi. YachtSense Link allows crew and family to connect Axiom® displays, phones, tablets and PCs to a unified onboard network. YachtSense Link automatically switches between marina Wi-Fi and mobile networks to ensure you are always connected. Combine YachtSense Link with the Raymarine mobile app for remote access to your Raymarine network and enjoy the added security of remote GeoFence vessel monitoring. YachtSense Link also features low-voltage digital switching/monitoring channels for controlling and monitoring onboard electrical devices like pumps, batteries, lighting and more.

- Mobile broadband connection to 4G (LTE) networks (SIM card and data plan required)
- Supports dual SIM cards for seamless connectivity to international mobile networks
- 4 Raynet Ethernet ports for connecting Raymarine devices
- Integrated GPS with a range extending 4 in 1 antenna (GPS/GNSS, 3G, 4G and Wi-Fi)
- Low power consumption mode supports GeoFence remote monitoring (subscription required)
- SeaTalkNG/NMEA2000 port
- 4 x input and output low voltage digital switching channels
- Easy DIY setup using a web browser or Axiom display
- Rugged IPX6 enclosure is shock and vibration resistant

Level 3: Smart Home on the Water

YachtSense

YachtSense is Raymarine's bespoke digital control system that controls and monitors all of a vessel's electrical and electronics systems. When integrated with the Raymarine app and YachtSense Link, the YachtSense Digital Control System can be remotely accessed and controlled from anywhere there is internet access. Operate onboard equipment, monitor vessel systems and respond to notifications right from the Raymarine app on your mobile phone or tablet.





Level 1: Command and Control

Stream and control Axiom from your phone or tablet from anywhere onboard.



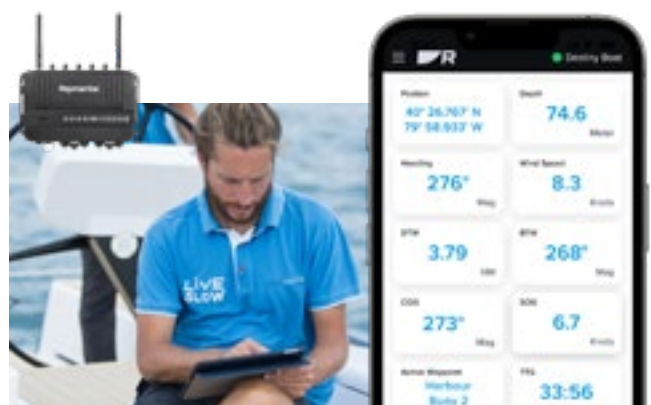
Level 1: Secure Backup

Critical waypoints, routes and tracks can be transferred to your mobile device.



Level 2: Remote Monitoring

Raymarine GeoFence provides alerts and notifications if your vessel moves in or outside a safety zone.



Level 2: Stay Informed

Connect and view real-time instrument and navigation data on board or remotely.



Level 2: Remote Monitoring

Monitor bilge water sensors, battery voltage, shore power, smoke alarms and more. Control is afforded with the addition of a switching relay.



Level 2: Always Connected

Connect Raymarine equipment, tablets, smart TVs and other wireless devices to a unified onboard Wi-Fi network with 4G mobile broadband.

Level 3: Total Command of the Vessel's Electrical Systems



PART NO. DESCRIPTION

YachtSense

YachtSense Link Router

E70640 YachtSense Link Marine Mobile Router w/ 4X GB RayNet, Wi-Fi, 3G/4G, GNSS, Premium External Antenna w/5M Cable and Input/Out Cable Set

YachtSense Digital Control System

E70592 YachtSense Master Unit (12v or 24v) with 2 x J1939, 2 x RS485, Ethernet & STNG inputs

E70593 YachtSense Remote Unit (12v or 24v) with up to 8 x Signal Inputs or 8 x Signal (50mA) Outputs

E70594 YachtSense Low Power Output Module with 4 x 10 Amp Outputs

E70595 YachtSense High Power Output Module with 2 x 20 Amp Outputs

E70596 YachtSense Reverse Power Output Module with 1 x Bi-Directional 20 Amp Output

E70597 YachtSense Signal Module with up to 4 x inputs or 4 x 50mA Outputs

YachtSense Digital Switching Accessories

A80622 50 off 14~16 AWG MX150 Crimp Terminal

A80623 50 off 18-22 AWG MX150 Crimp Terminal

A80624 Molex Blanking Pins (Pack of 50)

A80701 External Antenna 5M Extension Cable Kit

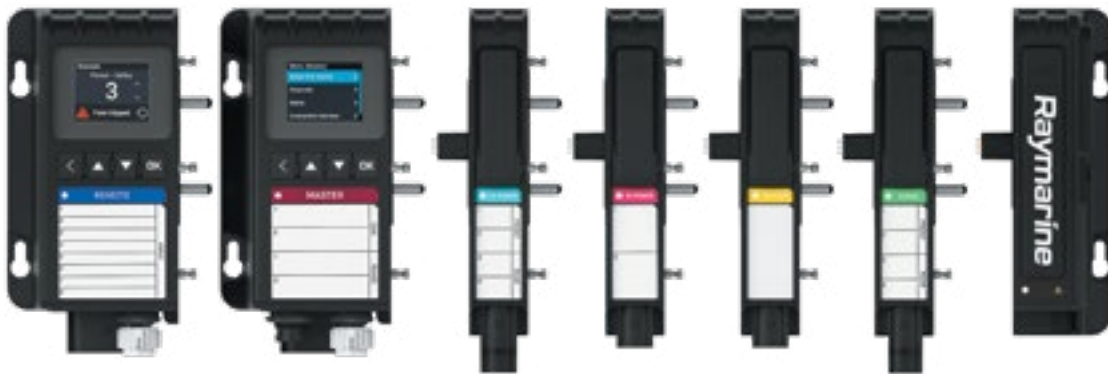
A80718 External Antenna Ext. Collar Kit

YACHTSENSE



YachtSense Digital Control System

YachtSense™ is the future of vessel automation. An advanced digital control system, YachtSense gives the captain total command and complete awareness of a vessel's electrical systems. YachtSense offers the most scalable, configurable and fail-safe marine automation system available. The system offers intuitive control of every device, from lighting, pumps and sunshades to wipers, windlass and bathing platforms.



Scalable

Unique modular system architecture gives boat builders the freedom to design and standardize on a digital control solution that can scale across an entire model range.

Engineered for the Unexpected

Three layers of redundancy give captains peace of mind. An integrated keypad allows for manual override while the LCD provides system diagnostics. Rugged IPX6 enclosures and backed by 3-year warranty.



Modern Vessel Automation

YachtSense™ bespoke Axiom user interface options empowers boat builders to create a modern and elegant vessel automation solution. YachtSense gives captains total control from the helm or their mobile device.



NAV LIGHTS



UNDERWATER LIGHTS



CABIN LIGHTS



WIPERS



HVAC FANS



BILGE PUMPS



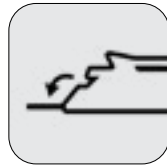
HEATERS



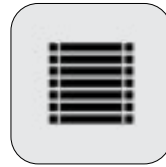
EXTRACTOR FANS



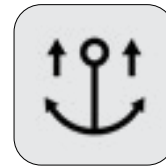
SUNSHADES



SWIMMING PLATFORM



WINDOW BLINDS



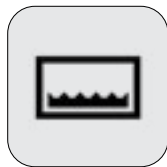
ANCHOR WINDLASS



BATTERIES



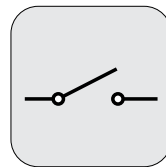
AIRCON



TANKS AND PRESSURE



DEVICE MONITORING



RELAYS



FUEL TANKS

ACCESSORIES

PART NO. DESCRIPTION

Digital Switching

Raymarine Digital Switching CCMs

E70317	CCM 011 (Connect 50) 12v Only, inputs upto (11 Dig, 11 Alog), outputs (50A max) upto (20 Dim,20 x 10A) & 1 com grd
E70348	CCM 011 CAN (Connect 50) 12v Only, inputs upto (7 Dig, 7 Alog), outputs (50A max) upto (20 Dim,20 x 10A) & 1 com grd
E70349	CCM 011 CAN (Connect 50) Wi-Fi and 2nd CANBUS
E70296	CCM 016, 12v Only, inputs upto (16 Dig,16 Alog), outputs upto (16 Dim,12 x 10A) & 2 com grd
E70169	CCM 116, inputs upto (16 Dig,16 Alog), outputs upto (16 Dim,12 x 10A) & 2 com grd
E70170	CCM 116, inputs upto (16 Dig,16 Alog), outputs upto (16 Dim,12 x 10A), 2 com grd & w.less swit
E70171	CCM 216, inputs upto (16 Dig,16 Alog), outputs upto (16 Dim,8 x 10A,4 x 18A) & 2 com grd
E70173	CCM 316, inputs upto (16 Dig,16 Alog), outputs upto (16 Dim,12 x 10A,4 x 18A) & 2 com grd
E70175	CCM 416, inputs upto (16 Dig,16 Alog,2 current), outputs upto (16 Dim,12 x 10A,4 x 18A) & 2 com grd

Raymarine Digital Switching MCUs

E70179	MCU-100 Master Control Unit
E70261	MCU-150 Master Control Unit with J1939
E70180	MCU-200 Master Control Unit with GSM
E70315	MCU-250 Master Control Unit with J1939 and GSM

Accessories

E70443	RMK-6 N2K Keypad
T70418	RMK-6 N2K Keypad with two Keypad Button Sheets
E70181	MCU Programming Interface
E70182	USB to USB-mini master cable 2m
A80241	CCM connector 14-16 AWG wire
A80242	CCM connector 18-22 AWG wire
A80243	Female crimp 14-16 AWG (pack 40)
A80244	Female Crimp 18-22 AWG (pack 40)
A80245	Hand Crimp Tool (Molex)

PART NO. DESCRIPTION

STNG Cables and Components

STNG Cables and Components

A80674	STNG to DV Male
A80675	STNG to DV Female
E70010	iTC-5 Instrument Transducer Converter
E70361	Micronet to SeataKNG Gateway (Wireless Wind)
T70134	STNG Starter Kit (1xA06064, 2xA06031, 1xA06040, 1xA06049)
A25062	STNG Backbone Kit (2 x A06031, 1 x A06037, 2 x A06036, 4 x A06028, 1 x A06049)
E22158	ST1 to STNG Adaptor Kit (1x R52131, 2x A06031, 2x A06032, 1x A22164, 1x A06049, 1x A06039)
E70196	VHF NMEA0183 TO STNG Converter Kit (1x R52131, 2x A06031, 2x A06032, 1x A06071, 1x A06049, 1x A06039)
T12217	Cable Kit/NMEA2000 Gateway (1X A06039, 1X A06045, 1X A06064, 1X A06049, 2X A06031)
R52131	ST1 to STNG Converter only
A06049	STNG Power Cable
A06070	2m STNG Right Angle Power to bare wires cable
A06028	STNG T-Piece Connector
A06064	5 Way Connector
A06030	Extender
A06031	STNG Backbone Terminator
A06074	In-Line STNG Terminator
A06032	Blanking Plug
A80614	STNG Auxiliary Alarm with 1m Spur Cable
A06033	Backbone Cable 400mm
A06034	Backbone Cable 1m
A06035	Backbone Cable 3m
A06036	Backbone Cable 5m
A06068	STNG Backbone Cable 9m
A06037	Backbone Cable 20m
A06038	Spur Cable 400mm
A06039	Spur Cable 1m
A06040	Spur Cable 3m
A06041	Spur Cable 5m
A06072	White Spur Cable 6m (RS130 antenna cable)
A06042	Elbow spur Cable 400mm
A06080	STng Elbow Spur - DeviceNet socket - 1000mm
A06081	STng Elbow Spur - STng Straight - 1000mm
A06045	DeviceNet (Female) Adaptor Cable (0.4m)
A06083	Devicenet (Male) to STng (Female) Adaptor
A06084	Devicenet (Male) to STng (Female) Adaptor - 90 Degrees
A06079	Devicenet (Female) to STng Cable, 120mm
A06075	STNG to Devicenet (Female) Adaptor Cable (1m)
A06082	STng (Male) to Devicenet (Female) Adaptor
A06077	STNG Right Angle Adaptor
A06078	Cable STng White Socket to DeviceNet Socket 140mm)
A06076	STNG to Devicenet (Male) Adaptor Cable (1m)

PART NO.	DESCRIPTION
A06046	DeviceNet (Male) Adaptor Cable (1.5m)
A06047	ST1 Adaptor Cable (3 Pin)
A06073	STNG-ST1 Spur Cable 1m
A06048	ST2 Adaptor Cable (5 Pin)
A06043	Spur to Stripped End Cable 1m
A06044	Spur to Stripped End Cable 3m
R12112	1m STNG to SPX Molded Cable

Network Cables and Components

Network Cables and Components

E70640	YachtSense Link Marine Mobile Router w/ 4X GB RayNet, Wi-Fi, 3G/4G, GNSS, Premium External Antenna w/5M Cable and Input/Out Cable Set
A80007	HS-5 Network Switch (RayNet)
A80731	RNS-5 - 5 Port RayNet Gigabit Switch - Discontinued when inventory is depleted
A80732	RNS-8 - RayNet Network Switch 4X POE
E55060	SeaTalkHS Crossover Coupler
4115028	Connector, RF45 Waterproof Enclosure
A80247	RayNet to RJ45 (F) Adaptor - 100mm
A62360	RayNet (F) to RJ45 (M) cable - 1m
A80151	RayNet (F) to RJ45 (M) cable - 3m
A80159	RayNet (F) to RJ45 (M) cable - 10m
308-0251-30-00	RayNet (Female) to RJ45 (Male) Cable, 30M
308-0252-30-00	RayNet Right Angle (Female) to RJ45 (Male) Cable, 30M
A80161	RayNet (F) to RayNet (F) cable - 400mm
A62361	RayNet (F) to RayNet (F) cable - 2m
A80005	RayNet (F) to RayNet (F) cable - 5m
A62362	RayNet (F) to RayNet (F) cable - 10m
A80512	RayNet Right Angle (F) to RayNet Straight (F) Cable, 10M
A80006	RayNet (F) to RayNet (F) cable - 20m
A80162	RayNet (M) to RayNet (M) cable - 100mm
A80262	RayNet (Male) Right Angle Adaptor
A80160	RayNet (F) to SeaTalkHS (F) adaptor - 400mm
A80276	RayNet (F) to STHS (M) Cable - 3m
A80272	RayNet Male to STHS Male water tight for DSM or legacy MFD connection to open RayNet Female cable
E55049	SeaTalkHS Network Cable 1.5m
A62135	SeaTalkHS Network Cable 15m
E55052	SeaTalkHS Network Cable 20m
A62245	SeaTalkHS Dual End WeatherProof Network Cable 1.5m - Discontinued when inventory is depleted
E06054	SeaTalkHS Patch Cable 1.5m
E06056	SeaTalkHS Patch Cable 10m
A62136	SeaTalkHS Patch Cable 15m
E06057	SeaTalkHS Patch Cable 20m
R70014	RayNet Cable Puller - 5 pk

PART NO. DESCRIPTION

ST1 Cables and Components

D244	3 Way SeaTalk Junction Block
D230	SeaTalk Extension Cable 400mm
D284	SeaTalk Extension Cable 1m
D285	SeaTalk Extension Cable 3m
D286	SeaTalk Extension Cable 5m
D287	SeaTalk Extension Cable 9m
E25051	SeaTalk Extension Cable 12m
D288	SeaTalk Extension Cable 20m
E55054	SeaTalk Alarm Out Cable 1.5m



PART NO. DESCRIPTION

SiriusXM Weather

SiriusXM Weather

E70499	SR200 SiriusXM InfoLINK Receiver (Includes Antenna & Cable)
R70621	SR200 Data Cable / RayNet to Infolink, 2M
R70622	SR200 Power Cable, 2M
R70623	SR200 Audio Cable, 2M
A80368	SR200 Antenna and 25' Cable

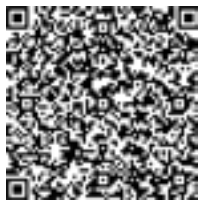
WARRANTY



Our Commitment

You can enjoy your time on the water knowing Raymarine products are backed by our global dealer network and expert tech support teams. For added peace of mind, Raymarine products feature a two-year warranty, plus you can extend your product warranty to three years by simply registering online at raymarine.com.

For additional warranty information visit, raymarine.com/warranty to learn more.



FIND A DEALER

To find your nearest Raymarine dealer, scan the QR code or enter the following URL into your internet browser
<https://www.raymarine.com/en-us/find-your-local-dealer>



CONTACT US

Scan the QR code to view our office locations, access our customer help knowledge base, contact product support or complete a general inquiry form.

Export Restrictions

The information contained in this brochure pertains to dual use products controlled for export by the Export Administration Regulations (EAR). Diversion contrary to US law is prohibited. US Department of Commerce authorization is not required prior to export or transfer to foreign persons or parties unless otherwise prohibited.

23-0892-JAN / 2025 / US / v1.0

Raymarine®